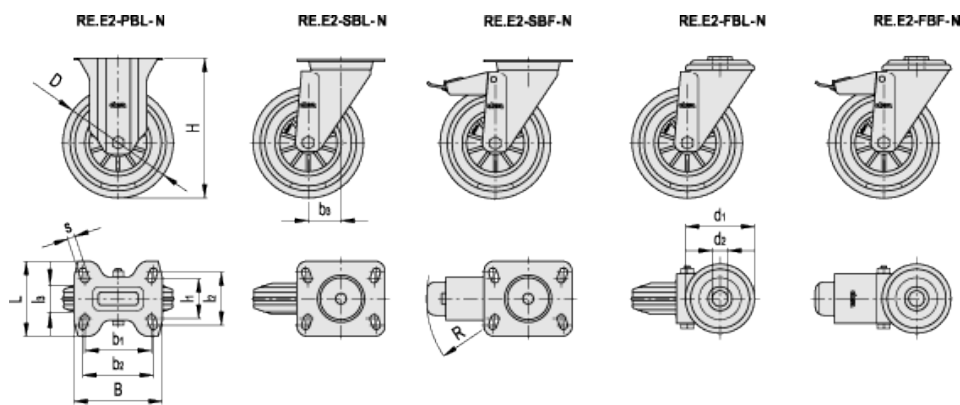


RE.E2-N



Vulcanised rubber wheels with steel sheet bracket



Elesa Standards		Main dimensions													Rolling resistance #	Dynamic carrying capacity #	Weight	
Code	Description	D	I ₃	H	B	L	s	b ₁	l ₁	b ₂	l ₂	b ₃	R	d ₁	d ₂	[N]	[N]	g
449651	RE.E2-080-PBL-N	80	25	107	100	85	9	75	45	80	60	-	-	-	-	500	650	360
449656	RE.E2-100-PBL-N	100	30	128	100	85	9	75	45	80	60	-	-	-	-	750	800	480
449661	RE.E2-125-PBL-N	125	37.5	156	100	85	9	75	45	80	60	-	-	-	-	850	1100	710
449666	RE.E2-150-PBL-N	150	40	182	100	85	9	75	45	80	60	-	-	-	-	1000	1300	930
449668	RE.E2-180-PBL-N	180	45	219	140	114	11	105	73	105	85	-	-	-	-	1300	1800	2110
449671	RE.E2-200-PBL-N	200	50	240	140	114	11	105	73	105	85	-	-	-	-	1400	2250	2500
449551	RE.E2-080-SBL-N	80	25	107	100	85	9	75	45	80	60	39	-	-	-	500	650	640
449556	RE.E2-100-SBL-N	100	30	128	100	85	9	75	45	80	60	35	-	-	-	750	800	730
449561	RE.E2-125-SBL-N	125	37.5	156	100	85	9	75	45	80	60	37	-	-	-	850	1100	1060
449566	RE.E2-150-SBL-N	150	40	182	100	85	9	75	45	80	60	37	-	-	-	1000	1300	1310
449568	RE.E2-180-SBL-N	180	45	219	140	110	11	105	73	105	87	56	-	-	-	1300	1800	2400
449571	RE.E2-200-SBL-N	200	50	240	140	110	11	105	73	105	87	56	-	-	-	1400	2250	2720
449601	RE.E2-080-SBF-N	80	25	107	100	85	9	75	45	80	60	39	120	-	-	500	650	820
449606	RE.E2-100-SBF-N	100	30	128	100	85	9	75	45	80	60	35	120	-	-	750	800	880
449611	RE.E2-125-SBF-N	125	37.5	156	100	85	9	75	45	80	60	37	120	-	-	850	1100	1200
449616	RE.E2-150-SBF-N	150	40	182	100	85	9	75	45	80	60	37	120	-	-	1000	1300	1450

Elesa Standards		Main dimensions														Rolling resistance #	Dynamic carrying capacity #	Weight
Code	Description	D	I ₃	H	B	L	s	b ₁	l ₁	b ₂	l ₂	b ₃	R	d ₁	d ₂	[N]	[N]	g
449618	RE.E2-180-SBF-N	180	45	219	140	110	11	105	73	105	87	56	156	-	-	1300	1800	2690
449621	RE.E2-200-SBF-N	200	50	240	140	110	11	105	73	105	87	56	156	-	-	1400	2250	3000
449701	RE.E2-080-FBL-N	80	25	107	-	-	-	-	-	-	-	39	-	73	12	500	650	550
449706	RE.E2-100-FBL-N	100	30	128	-	-	-	-	-	-	-	35	-	73	12	750	800	680
449711	RE.E2-125-FBL-N	125	37.5	156	-	-	-	-	-	-	-	37	-	73	12	850	1100	960
449716	RE.E2-150-FBL-N	150	40	182	-	-	-	-	-	-	-	37	-	73	12	1000	1300	1250
449718	RE.E2-180-FBL-N	180	45	214	-	-	-	-	-	-	-	56	-	102	20	1300	1800	2280
449721	RE.E2-200-FBL-N	200	50	236	-	-	-	-	-	-	-	56	-	102	20	1400	2250	2620
449751	RE.E2-080-FBF-N	80	25	107	-	-	-	-	-	-	-	39	120	73	12	500	650	680
449756	RE.E2-100-FBF-N	100	30	128	-	-	-	-	-	-	-	35	120	73	12	750	800	750
449761	RE.E2-125-FBF-N	125	37.5	156	-	-	-	-	-	-	-	37	120	73	12	850	1100	1100
449766	RE.E2-150-FBF-N	150	40	182	-	-	-	-	-	-	-	37	120	73	12	1000	1300	1390
449768	RE.E2-180-FBF-N	180	45	214	-	-	-	-	-	-	-	56	156	102	20	1300	1800	2570
449771	RE.E2-200-FBF-N	200	50	236	-	-	-	-	-	-	-	56	156	102	20	1400	2250	2910

See [Technical Data](#) for rolling resistance and dynamic carrying capacity.

Covering with tread

Vulcanised rubber; hardness 83 Shore A.

Wheel centre body

Polypropylene-based (PP) technopolymer. Resistant to solvents, oils, greases and other chemical agents.

Hub

Directly made into the centre.

Axle set

Calibrated zinc-plated steel precision tube. The tube serves as a spacer, is tightened to the bracket with screw and nut to a un predetermined torque value.

The wheel hub rotates onto the tube freely.

Standard executions

- PBL-N: brakeless wheel with zinc-plated steel fixed plate bracket.
- SBL-N: brakeless wheel with zinc-plated steel turning plate bracket.
- SBF-N: wheel with zinc-plated steel turning plate bracket, with brake.
- FBL-N: brakeless wheel with zinc-plated steel turning plate bracket and centre pass-through hole.
- FBF-N: wheel with zinc-plated steel turning plate bracket and centre pass-through hole, with brake.

Fixed plate bracket

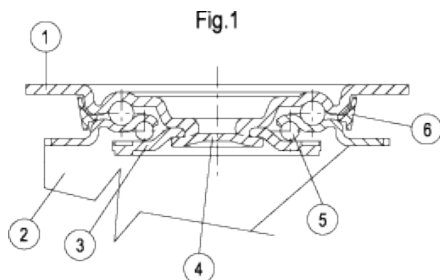
Zinc-plated steel sheet, the bracket is designed to withstand loads up to 3000N.

Turning plate bracket

Zinc-plated steel sheet, the bracket is designed to withstand loads up to 3000N. The presence of two ball turns and the direct contact between the plate and the ball race ring with built-in pin ensure excellent manoeuvrability and very limited clearance (see fig. 1). Does not require maintenance.

It consists of:

- 1) fitting plate: electrolytically zinc-plated steel sheet;
- 2) fork: electrolytically zinc-plated steel sheet;
- 3) ball race ring: electrolytically zinc-plated steel sheet;
- 4) central pin: incorporated in the plate, cold reflanged;
- 5) rotation system: dual grease-lubricated ring of ball;
- 6) dust seal: RAL 7015 dark grey technopolymer.



Front-actuated brake

Total brake that locks the wheel and bracket rotation. The optimised dimensions and the retractable pedal ensure minimal space occupied and maximum actuation ease.

Hardened carbon steel spring.

Applications

RE.E2-N wheel may be mounted on different kind of trolleys, with medium-light loads; it is also suitable for outdoor use.
Typical applications: trolleys for industrial moving, for outdoor use also, waste dumpsters.
For further information see [RE.E2](#) wheel.



STANDARD MACHINE ELEMENTS WORLDWIDE

ELESA models all rights reserved in accordance with the law. Always mention the source when reproducing our drawings.