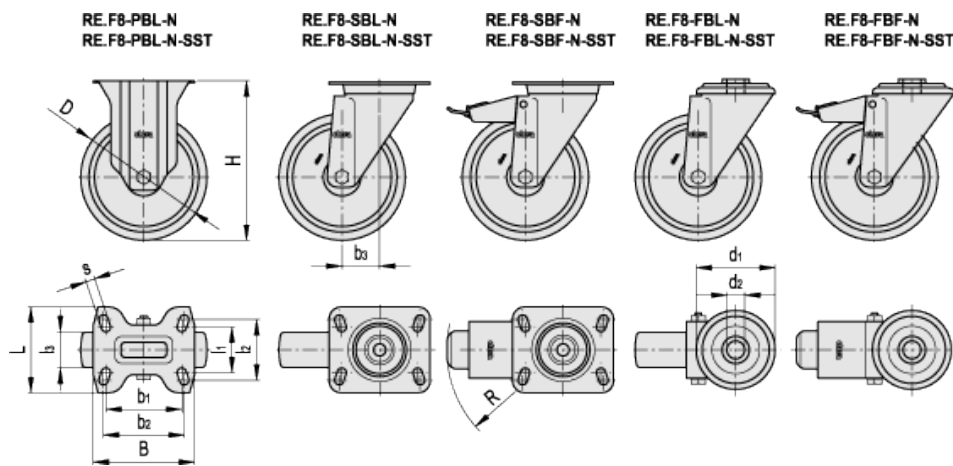


RE.F8-N

Monolithic wheels with steel sheet bracket



Elesa Standards		Main dimensions														Rolling resistance #	Dynamic carrying capacity #		Weight
Code	Description	D	l ₃	H	B	L	s	b ₁	l ₁	b ₂	l ₂	b ₃	R	d ₁	d ₂	[N]	[N]	g	
450651	RE.F8-065-PBL-N	65	30	100	100	85	9	75	45	80	60	-	-	-	-	900	1200	370	
450656	RE.F8-080-PBL-N	80	30	107	100	85	9	75	45	80	60	-	-	-	-	1500	1800	390	
450661	RE.F8-100-PBL-N	100	30	128	100	85	9	75	45	80	60	-	-	-	-	1750	2000	460	
450666	RE.F8-125-PBL-N	125	38	156	100	85	9	75	45	80	60	-	-	-	-	2000	2200	640	
450671	RE.F8-150-PBL-N	150	45	194	140	114	11	105	73	105	85	-	-	-	-	2500	3000	1450	
450676	RE.F8-200-PBL-N	200	50	240	140	114	11	105	73	105	85	-	-	-	-	3150	3000	1920	
450551	RE.F8-065-SBL-N	65	30	100	100	85	9	75	45	80	60	39	-	-	-	900	1200	570	
450556	RE.F8-080-SBL-N	80	30	107	100	85	9	75	45	80	60	39	-	-	-	1500	1800	580	
450561	RE.F8-100-SBL-N	100	30	128	100	85	9	75	45	80	60	35	-	-	-	1750	2000	650	
450566	RE.F8-125-SBL-N	125	38	156	100	85	9	75	45	80	60	37	-	-	-	2000	2200	890	
450571	RE.F8-150-SBL-N	150	45	194	140	110	11	105	73	105	87	56	-	-	-	2500	3000	1770	
450576	RE.F8-200-SBL-N	200	50	240	140	110	11	105	73	105	87	56	-	-	-	3150	3000	2140	
450601	RE.F8-080-SBF-N	80	30	107	100	85	9	75	45	80	60	39	120	-	-	1500	1800	780	
450606	RE.F8-100-SBF-N	100	30	128	100	85	9	75	45	80	60	35	120	-	-	1750	2000	850	
450611	RE.F8-125-SBF-N	125	40	156	100	85	9	75	45	80	60	37	120	-	-	2000	2200	1040	

Elesa Standards		Main dimensions														Rolling resistance #	Dynamic carrying capacity #	Weight
Code	Description	D	I ₃	H	B	L	s	b ₁	I ₁	b ₂	I ₂	b ₃	R	d ₁	d ₂	[N]	[N]	g
450616	RE.F8-150-SBF-N	150	45	194	140	110	11	105	73	105	87	56	156	-	-	2500	3000	1990
450621	RE.F8-200-SBF-N	200	50	240	140	110	11	105	73	105	87	56	156	-	-	3150	3000	2330
450681	RE.F8-065-FBL-N	65	30	100	-	-	-	-	-	-	39	-	73	12	-	900	1200	520
450683	RE.F8-080-FBL-N	80	30	107	-	-	-	-	-	-	39	-	73	12	-	1500	1800	535
450685	RE.F8-100-FBL-N	100	30	128	-	-	-	-	-	-	35	-	73	12	-	1750	2000	555
450687	RE.F8-125-FBL-N	125	38	156	-	-	-	-	-	-	37	-	73	12	-	2000	2200	850
450689	RE.F8-150-FBL-N	150	45	188	-	-	-	-	-	-	56	-	102	20	-	2500	3000	1570
450691	RE.F8-200-FBL-N	200	50	236	-	-	-	-	-	-	56	-	102	20	-	3150	3000	1950
450693	RE.F8-080-FBF-N	80	30	107	-	-	-	-	-	-	39	120	73	12	-	1500	1800	700
450695	RE.F8-100-FBF-N	100	30	128	-	-	-	-	-	-	35	120	73	12	-	1750	2000	800
450697	RE.F8-125-FBF-N	125	38	156	-	-	-	-	-	-	37	120	73	12	-	2000	2200	990
450699	RE.F8-150-FBF-N	150	45	188	-	-	-	-	-	-	56	156	102	20	-	2500	3000	1860
450700	RE.F8-200-FBF-N	200	50	236	-	-	-	-	-	-	56	156	102	20	-	3150	3000	2240

See [Technical Data](#) for rolling resistance and dynamic carrying capacity.

Elesa Standards		Main dimensions														Rolling resistance #	Dynamic carrying capacity #	Weight
Code	Description	D	I ₃	H	B	L	s	b ₁	I ₁	b ₂	I ₂	b ₃	R	d ₁	d ₂	[N]	[N]	g
450801	RE.F8-080-PBL-N-SST	80	30	107	100	85	9	75	45	80	60	-	-	-	-	1500	1800	290
450806	RE.F8-100-PBL-N-SST	100	30	128	100	85	9	75	45	80	60	-	-	-	-	1750	2000	360
450811	RE.F8-125-PBL-N-SST	125	40	156	100	85	9	75	45	80	60	-	-	-	-	2000	2200	630
450701	RE.F8-080-SBL-N-SST	80	30	107	100	85	9	75	45	80	60	39	-	-	-	1500	1800	550
450706	RE.F8-100-SBL-N-SST	100	30	128	100	85	9	75	45	80	60	35	-	-	-	1750	2000	610
450711	RE.F8-125-SBL-N-SST	125	40	156	100	85	9	75	45	80	60	37	-	-	-	2000	2200	780
450751	RE.F8-080-SBF-N-SST	80	30	107	100	85	9	75	45	80	60	39	120	-	-	1500	1800	730
450756	RE.F8-100-SBF-N-SST	100	30	128	100	85	9	75	45	80	60	35	120	-	-	1750	2000	760
450761	RE.F8-125-SBF-N-SST	125	40	156	100	85	9	75	45	80	60	37	120	-	-	2000	2200	950
450851	RE.F8-080-FBL-N-SST	80	30	107	-	-	-	-	-	-	39	-	73	12	-	1500	1800	500
450856	RE.F8-100-FBL-N-SST	100	30	128	-	-	-	-	-	-	35	-	73	12	-	1750	2000	610
450861	RE.F8-125-FBL-N-SST	125	38	156	-	-	-	-	-	-	37	-	73	12	-	2000	2200	790
450901	RE.F8-080-FBF-N-SST	80	30	107	-	-	-	-	-	-	39	120	73	12	-	1500	1800	520
450906	RE.F8-100-FBF-N-SST	100	30	128	-	-	-	-	-	-	35	120	73	12	-	1750	2000	760
450911	RE.F8-125-FBF-N-SST	125	38	156	-	-	-	-	-	-	37	120	73	12	-	2000	2200	930

See [Technical Data](#) for rolling resistance and dynamic carrying capacity.

Wheel centre body

Polyamide-based technopolymer (PA). Resistant to solvents, oils, greases and other chemical agents.

Hub

Directly made into the centre.

Axle set

Calibrated precision tube. The tube serves as a spacer, is tightened to the bracket with screw and nut to a un predetermined torque value. The wheel hub rotates onto the tube freely.

Standard executions

- PBL-N: brakeless wheel with zinc-plated steel bracket, fixed plate.
- SBL-N: brakeless wheel with zinc-plated steel bracket, turning plate.
- SBF-N: wheel with zinc-plated steel bracket, turning plate, with brake.
- FBL-N: brakeless wheel with zinc-plated steel bracket, turning plate and central pass-through hole.
- FBF-N: wheel with zinc-plated steel bracket, turning plate and central pass-through hole, with brake.

- PBL-N-SST: brakeless wheel with stainless steel bracket, fixed plate.
- SBL-N-SST: brakeless wheel with stainless steel bracket, turning plate.
- SBF-N-SST: wheel with stainless steel bracket, turning plate, with brake.
- FBL-N-SST: brakeless wheel with stainless steel bracket, turning plate and central pass-through hole.
- FBF-N-SST: wheel with stainless steel bracket, turning plate and central pass-through hole, with brake.

Fixed plate bracket

Zinc-plated steel or AISI 304 stainless steel (SST version) sheet, the bracket is designed to withstand loads up to 3000N.

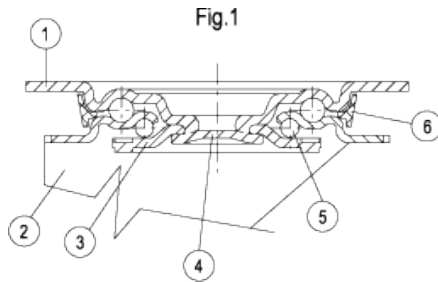
Turning plate bracket

Zinc-plated steel or AISI 304 stainless steel (SST version) sheet, the bracket is designed to withstand loads up to 3000N.

The presence of two ball turns and the direct contact between the plate and the ball race ring with built-in pin ensure excellent manoeuvrability and very limited clearance (see fig. 1). Does not require maintenance.

It consists of:

- 1) fitting plate: electrolytically zinc-plated steel or AISI 304 stainless steel sheet ;
- 2) fork: electrolytically zinc-plated steel or AISI 304 stainless steel sheet;
- 3) ball race ring: electrolytically zinc-plated steel or AISI 304 stainless steel sheet;
- 4) central pin: incorporated in the plate, cold reflanged;
- 5) rotation system: dual grease-lubricated ring of balls;
- 6) dust seal: RAL 7015 dark grey technopolymer.



Front-actuated brake

Total brake that locks the wheel and bracket rotation.

The optimised dimensions and the retractible pedal ensure minimal space occupied and maximum actuation ease.

Hardened carbon steel or stainless steel (SST version) spring.

Applications

Excellent wear and tearing resistance.

For further information see [RE_FB](#) wheel.



STANDARD MACHINE ELEMENTS WORLDWIDE

ELESA models all rights reserved in accordance with the law. Always mention the source when reproducing our drawings.