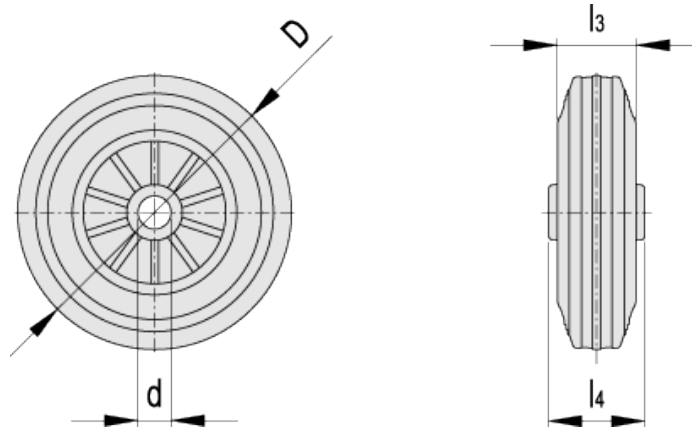


# RE.E2

## Vulcanised rubber wheels



Elesa Standards		Main dimensions				Static load #	Rolling resistance #	Dynamic carrying capacity #	Weight
Code	Description	D	d	l <sub>3</sub>	l <sub>4</sub>	[N]	[N]	[N]	g
449501	RE.E2-080-RBL	80	12	25	39	1500	500	650	110
449506	RE.E2-100-RBL	100	12	30	44	2000	750	800	210
449512	RE.E2-125-RBL	125	15	37.5	44	2250	850	1100	410
449516	RE.E2-150-RBL	150	15	40	44	2750	1000	1300	610
449518	RE.E2-180-RBL	180	20	45	59	3500	1300	1800	1020
449522	RE.E2-200-RBL	200	20	50	59	4000	1400	2250	1310

# See [Technical Data](#) for static load, rolling resistance and dynamic carrying capacity.

### Covering with tread

Vulcanised rubber; hardness 83 Shore A.

### Wheel centre body

Polypropylene-based (PP) technopolymer. Resistant to solvents, oils, greases and other chemical agents.

### Hub

Directly made into the centre.

### Applications

RE.E2 wheel may be mounted on different kind of trolleys, with medium-light loads; it is also suitable for outdoor use.

Typical applications: trolleys for industrial moving, for outdoor use also, waste dumpsters.

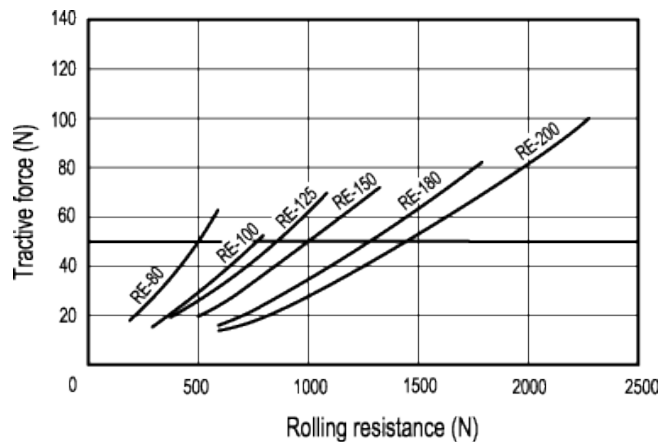
See [Technical Data](#) for selection parameters.

### Environmental conditions

Suitable for use in humid environments and in the presence of atmospheric agents; use in environments with the presence of organic, chlorinated solvents, hydrocarbons and mineral oils is not recommended.

### Rolling resistance - force / load applied

The diagram shows the force to be applied to a wheel to keep it moving at the constant speed of 4 km/h, according to the applied load. The intersection point with a 50N value is the maximum transportable load with a manually actuated 4-wheel trolley; in fact, 200N = 50N x 4 wheels is the maximum force that may be supported by the operator according to the regulations in force regarding work safety.



### Mechanical moving with towing devices

For mechanical towing, please see the technical specifications to determine the capacity variation.

### Temperature

If operating temperatures in an application differ from the standard range of values, please see the technical specifications to determine the capacity variation.

RE.E2 wheels are also supplied with steel sheet bracket ([RE.E2-N](#)).



STANDARD MACHINE ELEMENTS WORLDWIDE

ELESA models all rights reserved in accordance with the law. Always mention the source when reproducing our drawings.