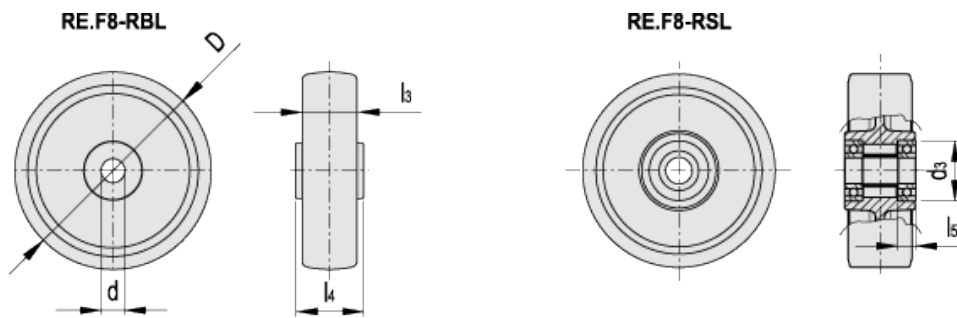


RE.F8

Monolithic wheels



Elesa Standards		Main dimensions							Static load #	Rolling resistance #	Dynamic carrying capacity #	Weight
Code	Description	D	d	l ₃	l ₄	l ₅	d ₃	[N]	[N]	[N]	g	
450501	RE.F8-065-RBL	65	12	30	34	-	-	1250	900	1200	60	
450506	RE.F8-080-RBL	80	12	30	39	-	-	2000	1500	1800	80	
450511	RE.F8-100-RBL	100	12	30	44	-	-	3500	1750	3000	130	
450516	RE.F8-125-RBL	125	15	38	44	-	-	4500	2000	4000	230	
450521	RE.F8-150-RBL	150	20	45	58	-	-	6000	2500	5000	340	
450526	RE.F8-200-RBL	200	20	50	58	-	-	10000	4000	9000	500	
449451	RE.F8-125-RSL	125	20	45	56	13	47	7000	4000	6500	610	
449452	RE.F8-150-RSL	150	20	45	56	13	47	8000	4550	7500	740	
449453	RE.F8-200-RSL	200	20	50	56	13	47	10000	6500	9000	1100	

See [Technical Data](#) for static load, rolling resistance and dynamic carrying capacity.

Wheel centre body

Polyamide-based technopolymer (PA). Resistant to solvents, oils, greases and other chemical agents.

Standard executions

- RBL: hub directly made into the wheel centre body.
- RSL: hub with ball bearings. Ideal solution for heavy loads and continuous moving.

Applications

Excellent wear and tearing resistance.
See [Technical Data](#) for selection parameters.

Environmental conditions

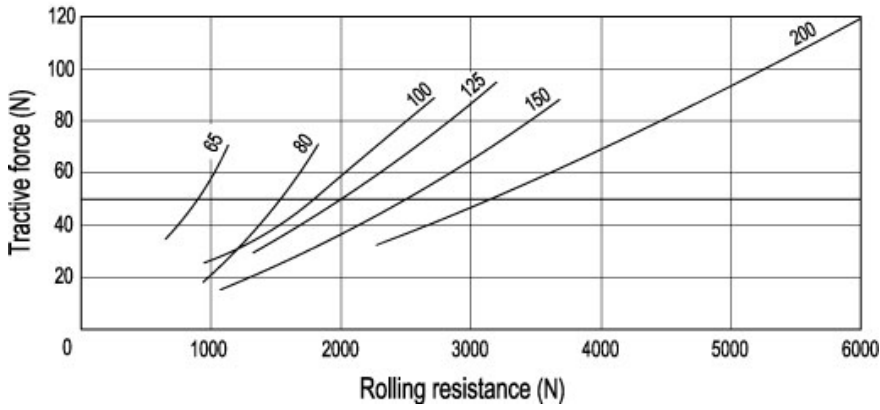
Suitable for use in humid environments, with the presence of highly aggressive chemicals. Use in environments with the presence of strong organic acids and concentrated minerals is not recommended.

Rolling resistance - force / load applied

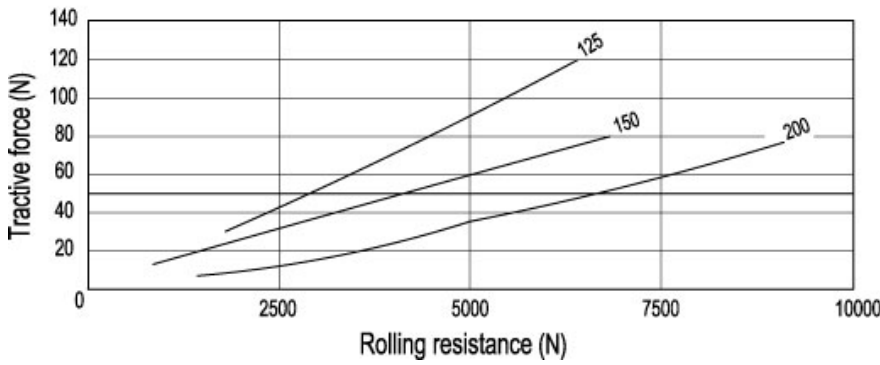
The diagram shows the force to be applied to a wheel to keep it moving at the constant speed of 4 km/h, according to the applied load.

The intersection point with a 50N value is the maximum transportable load with a manually actuated 4-wheel trolley; in fact, 200N = 50N x 4 wheels is the maximum force that may be supported by the operator according to the regulations in force regarding work safety.

RE.F8-RBL



RE.F8-RSL



Mechanical moving with towing devices

For mechanical towing, please see the technical specifications to determine the capacity variation.

Temperature

If operating temperatures in an application differ from the standard range of values, please see the technical specifications to determine the capacity variation.

RE.F8 wheel are supplied also with bracket:

- [RE.F8-N](#): wheels with steel sheet bracket;
- [RE.F8-H](#): wheels with steel sheet bracket for medium-heavy loads;
- [RE.F8-WH](#): wheels with electro-welded steel sheet bracket for heavy loads.



STANDARD MACHINE ELEMENTS WORLDWIDE

ELESA models all rights reserved in accordance with the law. Always mention the source when reproducing our drawings.