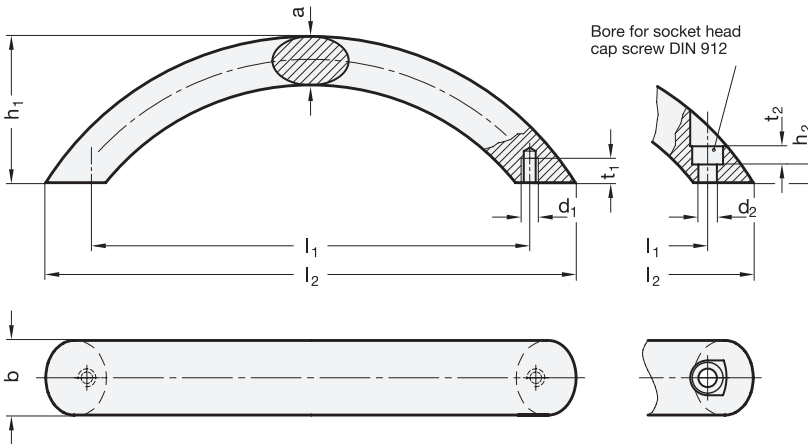




**3 Type**

- A** Mounting from the back (threaded blind bore)
- B** Mounting from the operator's side



| <b>1</b> b |          | <b>2</b> l <sub>1</sub> ±0,25 |     | l <sub>2</sub> ≈ | a   | d <sub>1</sub> | d <sub>2</sub> | h <sub>1</sub> | h <sub>2</sub> | t <sub>1</sub> min. | t <sub>2</sub> |
|------------|----------|-------------------------------|-----|------------------|-----|----------------|----------------|----------------|----------------|---------------------|----------------|
| GN 565.4   | GN 565.9 |                               |     |                  |     | Type A         | Type B         |                |                |                     |                |
| 20         | 20       | 160                           | 185 | 13               | M 6 | 5,3            | 51             | 5              | 8,5            | 5                   |                |
| 20         | 20       | 192                           | 221 | 13               | M 6 | 5,3            | 51             | 5              | 8,5            | 5                   |                |
| 26         | -        | 160                           | 190 | 17               | M 8 | 6,4            | 57             | 6              | 11             | 6                   |                |
| 26         | -        | 192                           | 227 | 17               | M 8 | 6,4            | 57             | 6              | 11             | 6                   |                |

**Specification**

**GN 565.4**

- Aluminium
- plastic coated
- black, RAL 9005, textured finish
- red, RAL 3000, textured finish
- silver, RAL 9006, textured finish
- anodized, natural colour
- blank
- tumbled

- **SW**
- **RS**
- **SR**
- **EL**
- **BL**

**GN 565.9**

- Stainless Steel
- AISI 304
- matt shot-blasted

- **MT**

• *Stainless Steel characteristics* → Page 1144

• *Load rating information* → Page 1153

• **RoHS compliant**

**Information**

The manufacturing process (bending) allows the production of **special lengths** in relatively small quantities.

see also...

- *Arch handles GN 665* (l<sub>2</sub> = 526 / 632) → Page 121
- *Arch handles GN 424.1* (Ø10) → Page 85
- *Stainless Steel-Arch handles GN 424.5* (Ø10) → Page 85

|                            |                         |
|----------------------------|-------------------------|
| Aluminium-Arch handle      | <b>1</b> b              |
|                            | <b>2</b> l <sub>1</sub> |
|                            | <b>3</b> Type           |
| <b>GN565.4-20-160-B-RS</b> | <b>4</b> Finish         |

|                             |                         |
|-----------------------------|-------------------------|
| Stainless Steel-Arch handle | <b>1</b> b              |
|                             | <b>2</b> l <sub>1</sub> |
|                             | <b>3</b> Type           |
| <b>GN565.9-20-192-A-MT</b>  | <b>4</b> Finish         |

1.1  
1.2  
1.3  
1.4  
1.5  
1.6  
1.7  
1.8  
1.9