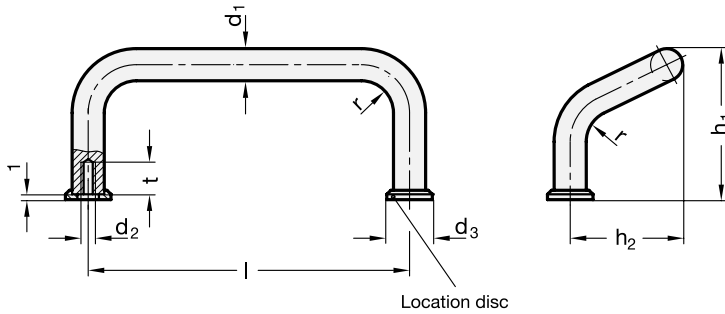




Rost
frei
Inox
Stainless
Steel



d₁	Length l ±0,25	d₂	d₃	h₁	h₂	r	t min.
10	88	M 5	15	47	35	12	12
10	100	M 5	15	47	35	12	12
10	120	M 5	15	47	35	12	12

Specification

- Steel
chrome-plated
Washers
Zinc die casting
nickel-plated
- Stainless Steel AISI 303
matt shot-blasted
Washers
Stainless Steel AISI 303
- *Stainless Steel characteristics* → Page 1144
- *Load rating information* → Page 1150
- *RoHS compliant*

3

CR

NI

Information

Cabinet „U“ handles GN 425.1 are supplied with two zinc plated location discs. They guarantee a perfect location even with large holes in the cabinet. The discs are loosely enclosed.

The chrome-plated design is only conditionally suitable for outdoor use. The stainless steel design version should be given preference.

Cabinet „U“ handle	1 d ₁
1 2 3 GN 425.1-10-100-CR	2 Length l
	3 Finish

Stainless Steel-Cabinet „U“ handle	1 d ₁
1 2 3 GN 425.1-10-120-NI	2 Length l
	3 Material