

ROSTFREI Rostfrei
Inox
Stainless
Steel

2 Type

- T2** with fixing holes, with pulling latch, with latch bracket
- T** with fixing holes, without pulling latch, with latch bracket
- T2S** for welding, with pulling latch, with latch bracket
- TS** for welding, without pulling latch, with latch bracket

1

Size	F _H in N Holding force	a ₁	a ₂	b ₁	b ₂	b ₃	b ₄	b ₅	b ₆	b ₇	d ₁	d ₂	d ₃	h ₁ ≈	h ₂
1400	14000	22	21	68	64	46	48	68	26,5	38	M 10	8,5	14	52	34,5
2800	30000	28	27	85	80	55	60	80	32	50	M 12	10,5	16	65	42,5

Size	l ₁ ≈	l ₂ min.	l ₃ ≈	m ₁	m ₂	m ₃	m ₄	m ₅	r ≈ at w ₂ = 0	s ₁	s ₂	t	w ₁ Stroke	w ₂ ≈ Adjustable range
1400	218	29	129	45	11,5	45	10	28	96	7	9,2	2	63	15
2800	265	29	151	57	14	57	12,5	35	117	9	12,7	2	78	15

Specification

- Body / latch bracket / operating handle / pulling latch
Stainless Steel AISI 304 **NI**
- Other parts
Stainless Steel AISI 303
- all moving parts
lubricated with special grease
- *Stainless Steel characteristics* → Page 1144
- **RoHS compliant**

On request

- Latch clamps with safety pawl

3

Information

The heavy duty latch clamps GN 852 are used for very high holding forces as may be encountered in the field of plastic high pressure mould forming.

The stroke of the pulling latch can be adjusted within its range.

Besides the standard dimensions of the pulling latch above, more versions are available under GN 951.2.

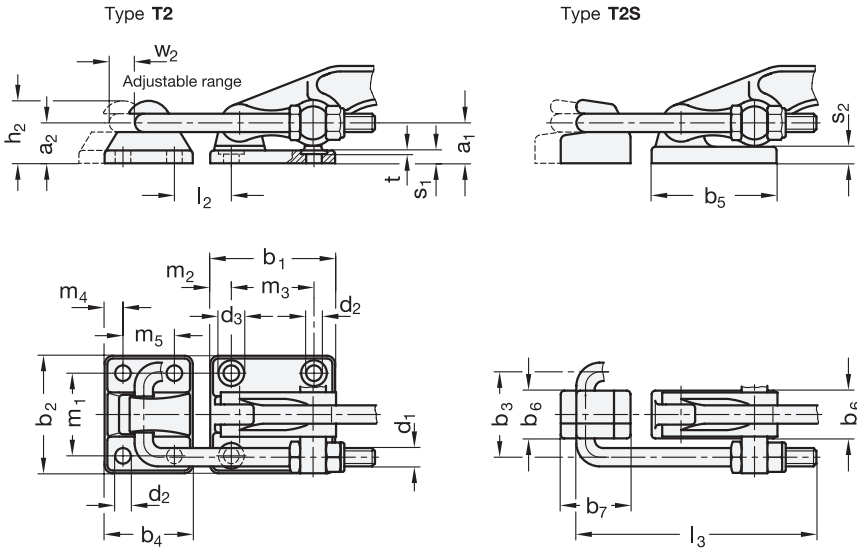
see also...

- *General information to toggle clamps* → Page 676
- *Latch clamps GN 852 (Steel)* → Page 736
- *Pulling latch GN 951.2* → Page 741

How to order

GN 852-2800-T2-NI

- 1** Size
- 2** Type
- 3** Material



2.1
2.2
2.3
2.4
2.5
2.6
2.7
2.8
2.9
☞

