

ROSTFREI  
**Rost frei**  
Inox  
Stainless  
Steel

**2 Type**

- T3** with pulling latch, with latch bracket
- T** without pulling latch, with latch bracket

**1**

Size	F <sub>H</sub> in N Holding force	a	b <sub>1</sub>	b <sub>2</sub>	b <sub>3</sub>	b <sub>4</sub>	b <sub>5</sub>	d <sub>1</sub>	d <sub>2</sub>	h <sub>1</sub> ≈	h <sub>2</sub>
160	1600	5	26	35	21	25,5	14	M 4	4,3	37	10
320	3200	8	36	44	32	37	22	M 6	6,5	54	15
700	7000	13	52	54	38	48,5	26	M 8	8,5	67	23

Size	l <sub>1</sub> ≈	l <sub>2</sub> min.	m <sub>1</sub>	m <sub>2</sub>	m <sub>3</sub>	m <sub>4</sub>	m <sub>5</sub>	r ≈ at w <sub>2</sub> = 0	s	w <sub>1</sub> Stroke	w <sub>2</sub> ≈ Adjustable range
160	68	4,5	22	6,5	13	6,5	14,3	50	2	32	12
320	106	6	9	8,5	19	10,5	20,5	78	3	53	21
700	147	8	36,5	10	32	13,5	27	98	3,5	64	30

**Specification**

**3**

- Sheet metal parts / Pulling latch  
Stainless Steel AISI 304 **NI**
- Pin  
Stainless Steel AISI 303
- all moving parts  
lubricated with special grease
- Handle with plastic sleeve  
red, oil resistant
- *Stainless Steel characteristics* → Page 1144
- **RoHS compliant**

**Information**

The stroke of the pulling latch of latch clamps GN 851.1 can be adjusted within its range.

In the clamped position the pulling latch with clamping arm is perpendicular to the clamping arm and the plane of the operating handle.

Besides the standard dimensions of the pulling latch above, more versions are available under GN 951.1.

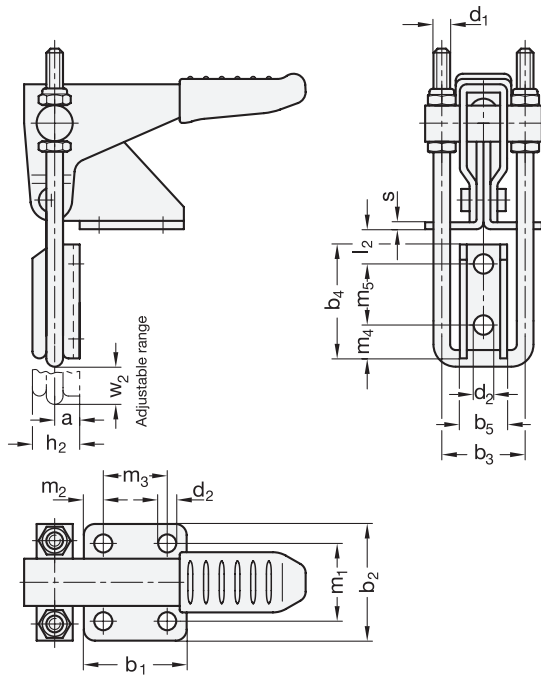
see also...

- *General information to toggle clamps* → Page 676
- *Latch clamps GN 851.1 (Steel, zinc plated)* → Page 730
- *Pulling latch GN 951.1* → Page 740

**How to order**

**GN851.1-160-T3-NI**

- 1** Size
- 2** Type
- 3** Material



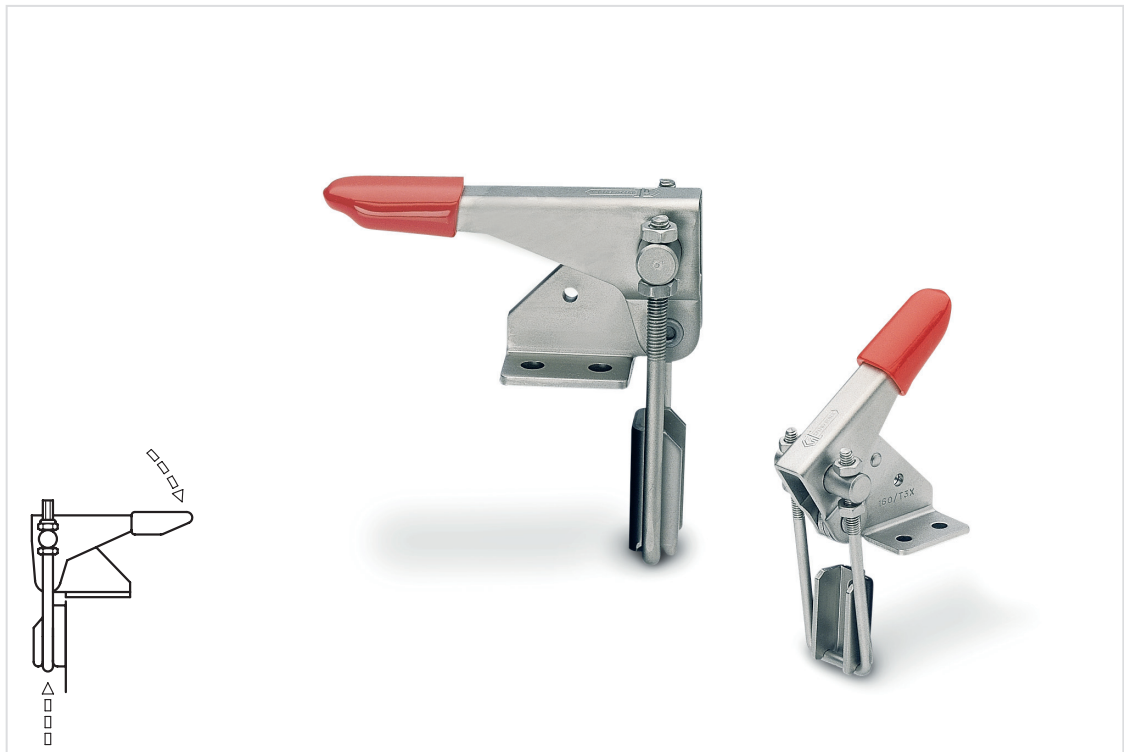
2.1

2.2

2.3

**2.4**

2.5



2.6

2.7

2.8

2.9

