

2 Type

- T3** with pulling latch, with latch bracket
- T** without pulling latch, with latch bracket

1

Size	F _H in N Holding force	a	b ₁	b ₂	b ₃	b ₄	b ₅	d ₁	d ₂	h ₁	h ₂
160	1600	5	26	35	21	25,5	14	M 4	4,3	37	10
320	3200	8	36	44	32	37	22	M 6	6,5	54	15
700	7000	13	52	54	38	48,5	26	M 8	8,5	67	23

Size	l ₁ ≈	l ₂ min.	m ₁	m ₂	m ₃	m ₄	m ₅	r ≈ at w ₂ = 0	s	w ₁ Stroke	w ₂ ≈ Adjustable range
160	68	4,5	22	6,5	13	6,7	14,3	50	2	32	12
320	106	6	25,5	8,5	19	10,5	20,5	78	3	53	21
700	147	8	36,5	10	32	13,5	27	98	3,5	64	30

Specification

- Parts in sheet metal
Case hardening steel C10
zinc plated, blue passivated
- Pulling latch
Steel St 37
zinc plated, blue passivated
- all moving parts
lubricated with special grease
- Handle with plastic sleeve
red, oil resistant
- **RoHS compliant**

Information

The stroke of the pulling latch of latch clamps GN 851.1 can be adjusted within its range.

In the clamped position the pulling latch with clamping arm is perpendicular to the clamping arm and the plane of the operating handle.

Besides the standard dimensions of the pulling latch above, more versions are available under GN 951.1.

see also...

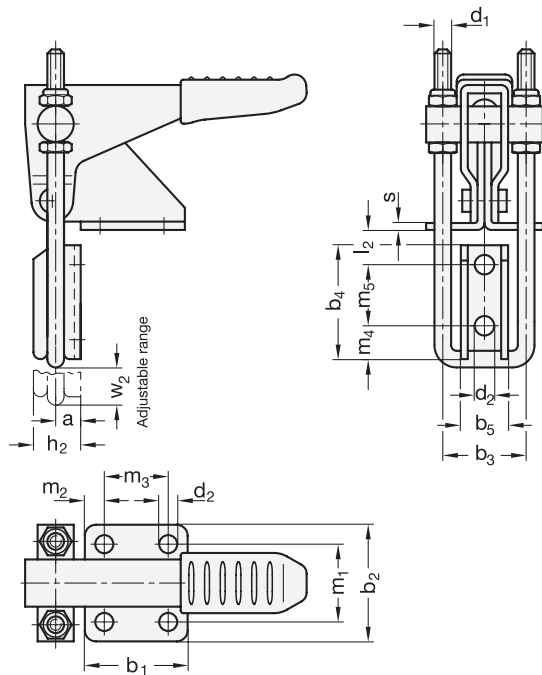
- *General information to toggle clamps* → Page 676
- *Stainless Steel-Latch clamps GN 851.1* → Page 732
- *Pulling latch GN 951.1* → Page 740

How to order

GN851.1-700-T3

1 Size

2 Type



2.1

2.2

2.3

2.4

2.5

2.6

2.7

2.8

2.9

