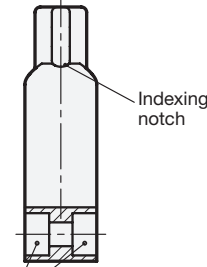
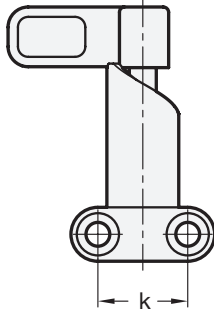
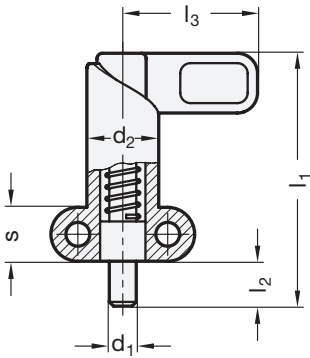
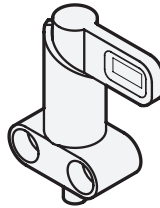
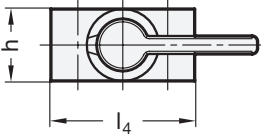


Plunger retracted



Counterbored for cap screw DIN 912- M5, mountable from both sides, indexing cam on the left or right side.



1

2

d ₁ Plunger -0,05 Bore +0,1 -0,05	d ₂	h	k	l ₁ ≈	l ₂	l ₃	l ₄	s
6	16	16	20	57	10	30	32	12
8	16	16	20	57	10	30	32	12
8	20	20	22	70	12	37	37	15
10	16	16	20	57	10	30	32	12
10	20	20	22	70	12	30	32	15
12	20	20	22	70	12	37	37	15

Specification

3

- Guide
Zinc die casting
plastic coated
black, RAL 9005, textured finish ● **SW**
- Plunger
Steel
zinc plated, blue passivated
- Lever
Plastic (Polyamide PA)
- black, matt
- not removable
- Plastic characteristics → Page 1141
- RoHS compliant

Information

Cam action indexing plungers GN 612.9 are used in cases where the plunger must not protrude all the time. By rotating the lever through 180° the plunger withdraws itself. The notch allows safe positioning.

see also...

- Positioning bushings GN 412.2 → Page 454

How to order

GN612.9-10-16-SW

1	d ₁
2	d ₂
3	Finish