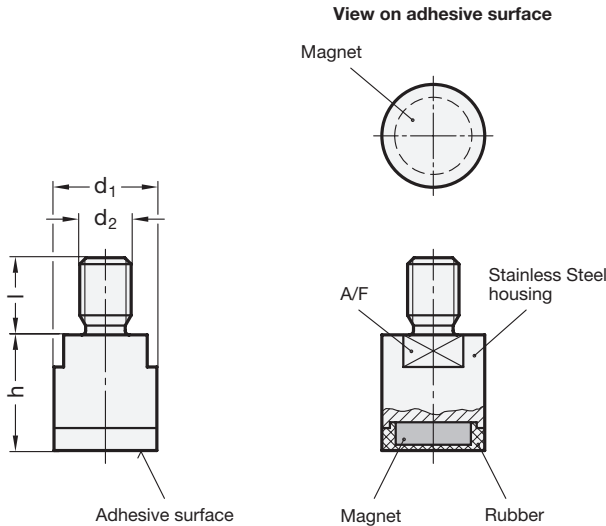




**ROSLÖTTEN**  
**Rost**  
**frei** | Inox  
Stainless  
Steel



2.1  
2.2  
2.3  
2.4  
2.5  
2.6  
2.7  
2.8  
2.9

<sup>2</sup> d <sub>1</sub>	<sup>3</sup> d <sub>2</sub>	h	Length l	A/F	Nominal adhesive forces in N
13	M 6	16	10	11	15
16	M 8	18	12	13	23
20	M 10	20	14	17	46

**Specification**

- Housing  
Stainless Steel
- Material of the magnet  
NdFeB  
temperature resistant up to 80° C
- Rubber  
Elastomer (TPE)  
73 Shore, black
- *Elastomer characteristics* → Page 1140
- **RoHS compliant**

**ND**

**Information**

Stainless Steel-Retaining magnets GN 52.5 are a shielded magnetic system with gummed adhesive surface.

They are preferably used for sensitive surfaces. Also, the coefficient of friction is increased, with the effect that high lateral retaining forces are achieved.

see also...

- *More information to retaining magnets* → Page 1094

How to order	
<sup>1</sup>	Material of the magnet
<sup>2</sup>	d <sub>1</sub>
<sup>3</sup>	d <sub>2</sub>

**GN 52.5-ND-13-M6**