

GN 880

Oil drain valves

4

Accessories for hydraulic systems

•Valve body

- Version **ST**: zinc-plated steel, blue passivated.
- Version **MS**: brass.

•Valve plate

Brass, with O-ring rubber FPM (Viton®).

•Sealing DIN 7603 A

Copper.

•Protective cap

Plastic, Polyamide based (PA) technopolymer.
Resistant to solvents, oils, greases and other chemical agents.
Temperature resistant up to 120 °C.

•Chain

Zinc-plated Steel, blue passivated, eye brass.

•Standard version available

Type **K**: with plastic protective cap and chain.

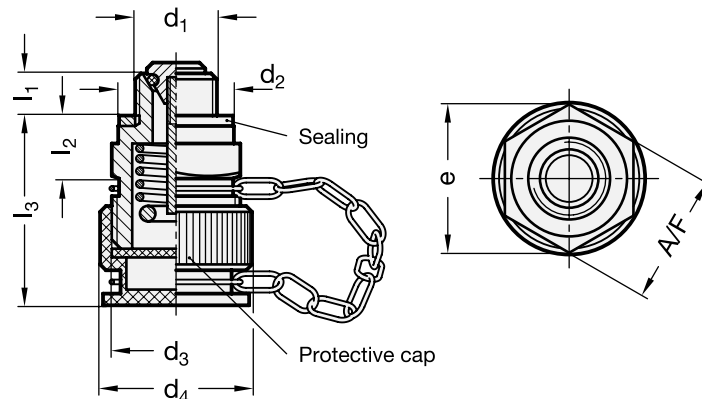


Accessories on request

- other materials.
- with Stainless Steel cable (instead of chain).

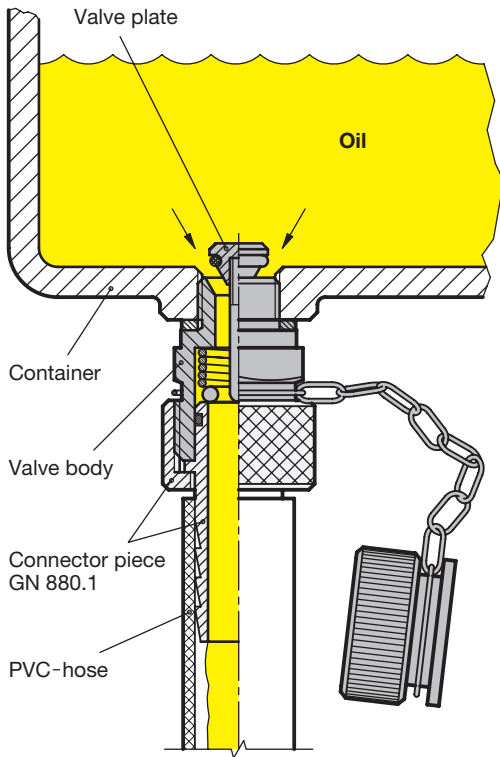
Features and applications

Oil drain valves GN 880 may be used for draining non-pressurised oil.
As well conditionally as for vacuum drainage.
The flow volume (l/min.) depends on the viscosity of the medium, the filling quantity and the temperature. Guidance values available on request.



Standard Elements	Main dimensions									\triangle
Description	d1	d2	d3*	d4	e ≈	l1	l2	l3	A/F	g
GN 880-M14x1.5-ST-K	M14x1.5	20	M22x1.5	26	25.4	7.5	10.5	31	22	54
GN 880-M16x1.5-ST-K	M16x1.5	22	M22x1.5	26	25.4	7.5	10.5	31	22	58
GN 880-M18x1.5-ST-K	M18x1.5	24	M22x1.5	26	25.4	8.5	10.5	31	22	62
GN 880-M20x1.5-ST-K	M20x1.5	26	M22x1.5	26	31.2	8.5	10.5	31	27	81
GN 880-M22x1.5-ST-K	M22x1.5	27	M26x1.5	30	31.2	8.5	12	32	27	94
GN 880-M24x1.5-MS-K	M24x1.5	29	M26x1.5	30	34.7	9	12	32	30	116
GN 880-M26x1.5-MS-K	M26x1.5	32	M26x1.5	30	37	9	12	32	32	132
GN 880-M30x1.5-MS-K	M30x1.5	36	M26x1.5	30	41.6	9	12	32	36	166
GN 880-G1/4-ST-K	G1/4	20	M22x1.5	26	25.4	7.5	10.5	31	22	55
GN 880-G3/8-ST-K	G3/8	23	M22x1.5	26	25.4	7.5	10.5	31	22	61
GN 880-G1/2-ST-K	G1/2	26	M26x1.5	30	31.2	8.5	12	32	27	91
GN 880-G3/4-MS-K	G3/4	32	M26x1.5	30	37	9	12	32	32	133
GN 880-G1-MS-K	G1	39	M26x1.5	30	47.3	9	12	32	41	205

* Connection thread for GN 880.1 (see page 6)



Other features

- easy and safe handling
- optimum flow rate
- high pressure resistance (up to 100 bar)
- high temperature resistance (-30 °C to +160 °C)
- 100 % seal-tight tested
- TÜV and DLG tested

Operation description

After removing the protective cap secured against loss with a chain, turn in the matching connector pieces GN 880.1 (see page 6). When the connector is screwed in, the valve plate will open and the oil will empty through the hose into a pan. Take off the connector after the oil has drained. The valve plate will be lowered and closes off the drainage outlet. The container with the oil drain vale is ready for filling again.

Other benefits of the oil drain valves GN 880

- No risk of burns caused by hot oil
- No dirt caused by uncontrolled oil drainage
- Quick and easy