

3 Type

- A without handle
- D with revolving handle

4 Identification no.

- 1 with bearing bush
- 2 with centring ring

1

2

d ₁	d ₂ H7 Bore with keyway				b	Length l	Ø Handle
160	K 14	K 16	K 18	K 20	18	66	26
200	K 14	K 16	K 18	K 20	20,5	68	26

Specification

- Handwheel body
Aluminium
Rim turned and polished
- Coupling attachments
 - Steel, nitrided
 - Bearing surface ground and / or PTFE-coated
 - Bearing flange blackened
- Revolving handles GN 598
Plastic, Duroplast
black, shiny finish
- Keyway P9 DIN 6885/2 → Page 1125
- ISO-Fundamental Tolerances → Page 1132
- RoHS compliant

Information

Safety handwheels GN 327 feature the ultimate in health and safety at work standards because the handwheel, if disengaged, is mounted on a fixed component, the bearing flange. The wheel is fully disengaged from the rotating shaft.

The bearing flange can also accept the bearing of the shaft via the bearing bushing (identification no. 1). This bearing bushing is a dry bearing (DU bushing). Normally, the shaft has a separate bearing and the bearing bushing serves to center the bearing flange.

Centering can also be effected by a centering ring (identification no. 2) if the appropriate bore hole has been made at the machine side. In this case there is no need for the bearing bushes and no bearing friction (heating) will occur.

see also...

- More information to safety handwheels → Page 166 / 167

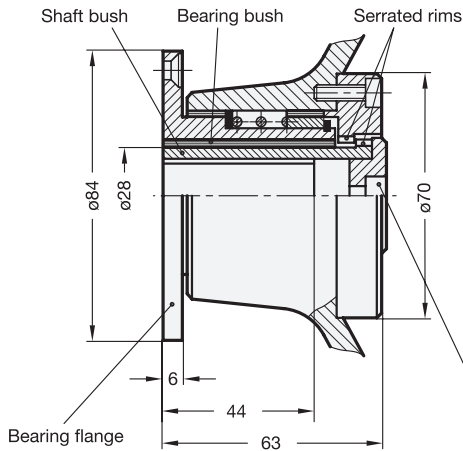
How to order

GN327-160-K16-A-1

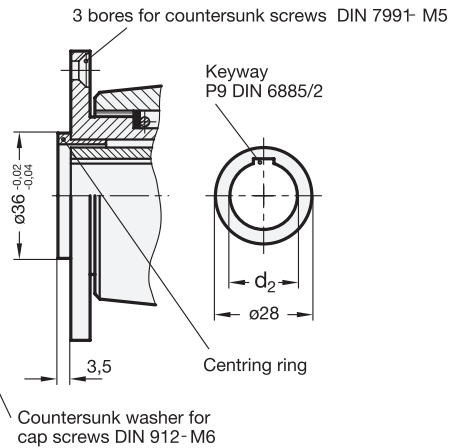
1	d ₁
2	d ₂
3	Type
4	Mode

Details hub with coupling attachments

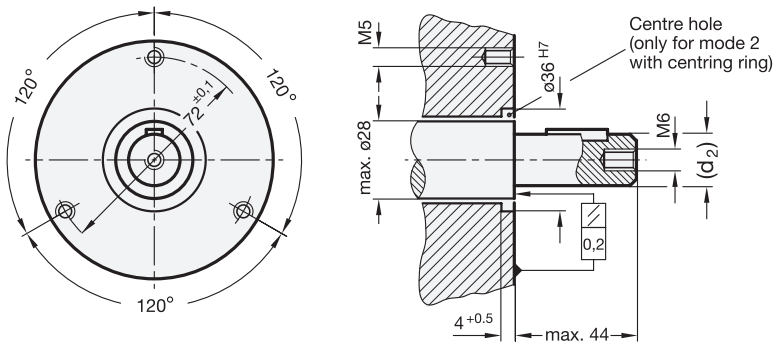
with bearing bush: Mode 1



with centring ring: Mode 2



Specification of shaft and dimensions



Assembly instructions

Shaft bush and countershaft pulley are delivered in two separate components. Before assembly, make sure that the shaft bush can be pushed smoothly and free-moving over the shaft.

Proper function is guaranteed only if:

- shaft bush and bearing surface are level with each other
- the shaft axis lies at a right angle to the bearing surface on the machine side.

Design with bearing bush (Mode 1)

Push the handwheel and the shaft bush at the same time over the shaft, bolt down the bearing flange, and fix the shaft bush axially with the countershaft pulley.

Design with centring ring (Mode 2)

The handwheel can be bolted at once through the centring ring above the bearing flange. Then push the shaft bush onto the shaft and fix it axially with the countershaft pulley.