

# GN 924.60

## Handwheel for linear actuators Ø 60

### •Material

Cast aluminium.

### •Finish

RAL 9005 black colour, matte finish, epoxy resin coating.

### •Assembly

Hub with H7 reamed hole with keyway in compliance with DIN 6885/1 P9 tolerance (see page A2).

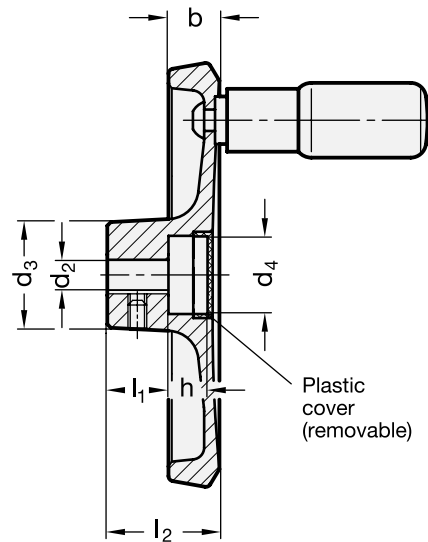
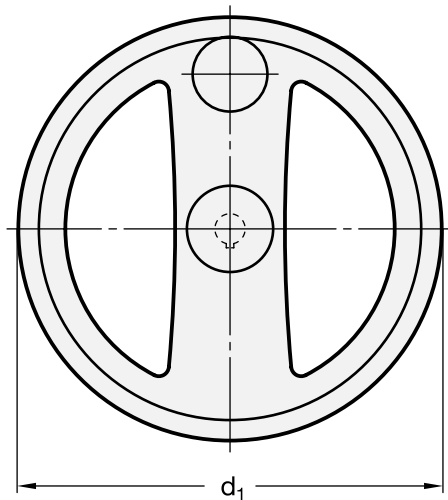
For fixing handwheels GN 924.60 on shafts by a grub screw see technical data main catalogue page A18.

### •Revolving handle

Type GN 798 polyamide based (PA) technopolymer, black colour, matte finish. Resistant to solvents, oils, greases and other chemical agents. The two-volume special design of the handle provides the operator's hand with a safe and ergonomic grip when turning the handwheel.

### Accessories

Linear actuators GN 291 to GN 293 (see page 119ff.).



Standard Elements	Main dimensions						Bore		Handle	
Description	d1	l2	b	h	d3	d4	d2 H7	l1	Ø	g
GN 924.60-160-K14-R	160	39.5	18	14.5	36	28.5	14	20	24	560