

# GN 923.40

## Handwheel for linear actuators Ø 40



- **Material**

Cast aluminium.

- **Finish**

RAL 9005 black colour, matte finish, epoxy resin coating.

- **Assembly**

Hub with H7 reamed hole with keyway in compliance with DIN 6885/1 P9 tolerance (see page A2).

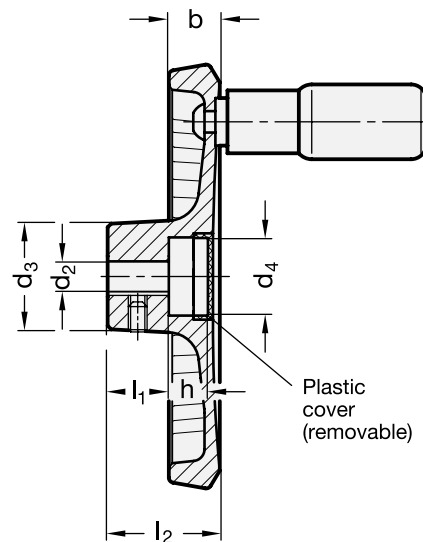
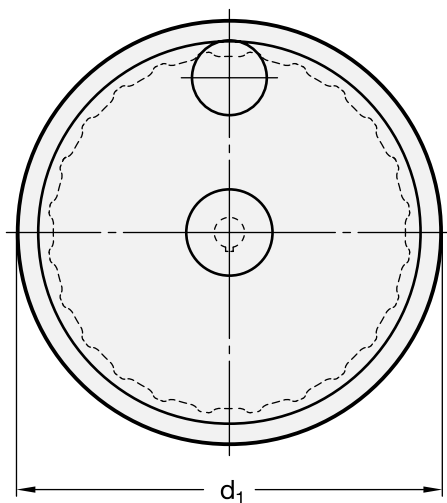
For fixing handwheels GN 923.40 on shafts by a grub screw see technical data main catalogue page A18.

- **Revolving handle**

Type GN 798 polyamide based (PA) technopolymer, black colour, matte finish. Resistant to solvents, oils, greases and other chemical agents. The two-volume special design of the handle provides the operator's hand with a safe and ergonomic grip when turning the handwheel.

- **Accessories**

- Drive units GN 391 (see page 163ff.).
- Transfer units GN 391 (see page 163ff.).
- Linear actuators GN 291 to GN 293 (see page 119ff.).
- Square linear actuators GN 291.1 (see page 146).



Standard Elements	Main dimensions						Bore		Handle	△△
Description	d <sub>1</sub>	l <sub>2</sub>	b	h	d <sub>3</sub>	d <sub>4</sub>	d <sub>2</sub> H7	l <sub>1</sub>	Ø	g
GN 923.40-100-K12-R	100	30	14	9.5	28	22	12	17	18	190