

GN 923.30

Handwheel for linear actuators Ø 30

•Material

Cast aluminium.

•Finish

RAL 9005 black colour, matte finish, epoxy resin coating.

•Assembly

Hub with H7 reamed hole with keyway in compliance with DIN 6885/1 P9 tolerance (see page A2).

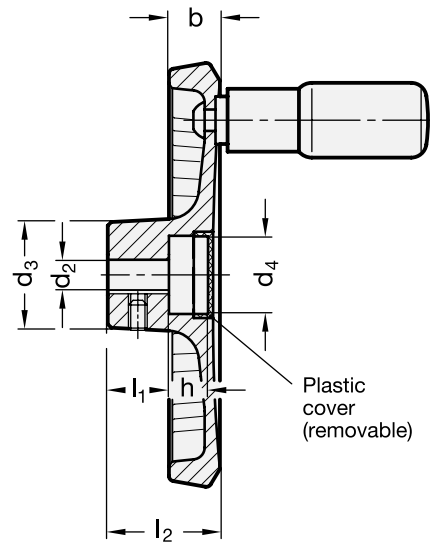
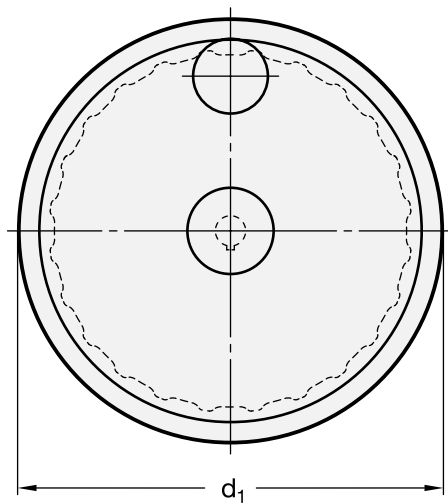
For fixing handwheels GN 923.30 on shafts by a grub screw see technical data main catalogue page A18.

•Revolving handle

Type GN 798 polyamide based (PA) technopolymer, black colour, matte finish. Resistant to solvents, oils, greases and other chemical agents. The two-volume special design of the handle provides the operator's hand with a safe and ergonomic grip when turning the handwheel.

Accessories

- Drive units GN 391 (see page 163ff.).
- Transfer units GN 391 (see page 163ff.).
- Linear actuators GN 291 to GN 293 (see page 119ff.).
- Square linear actuators GN 291.1 (see page 146).



Standard Elements	Main dimensions						Bore		Handle	△△
Description	d1	l2	b	h	d3	d4	d2 H7	l1	Ø	g
GN 923.30-100-K8-R	100	30	14	9.5	28	22	8	17	18	190