

GN 923.18

Handwheel for linear actuators Ø 18



- **Material**

Cast aluminium.

- **Finish**

RAL 9005 black colour, matte finish, epoxy resin coating.

- **Assembly**

Hub with H7 reamed hole with keyway in compliance with DIN 6885/1 P9 tolerance (see page A2).

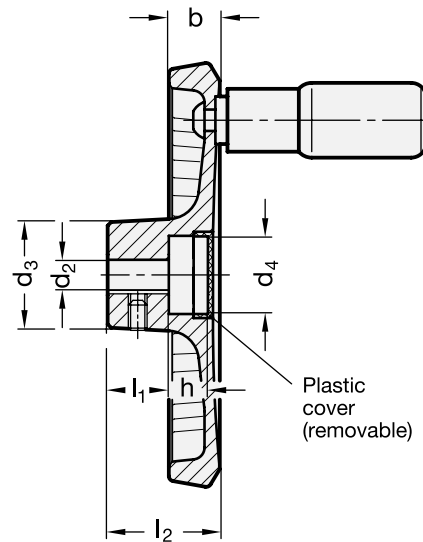
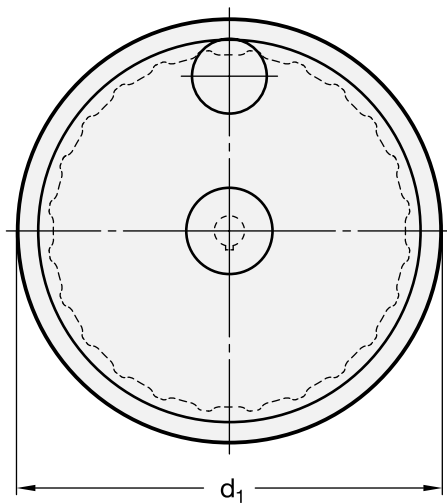
For fixing handwheels GN 923.18 on shafts by a grub screw see technical data main catalogue page A18.

- **Revolving handle**

Type GN 798 polyamide based (PA) technopolymer, black colour, matte finish. Resistant to solvents, oils, greases and other chemical agents. The two-volume special design of the handle provides the operator's hand with a safe and ergonomic grip when turning the handwheel.

- **Accessories**

- Drive units GN 391 (see page 163ff.).
- Transfer units GN 391 (see page 163ff.).
- Linear actuators GN 291 (see page 119).
- Linear actuators GN 292 (see page 124).



Standard Elements	Main dimensions						Bore		Handle	△△
Description	d ₁	l ₂	b	h	d ₃	d ₄	d ₂ H7	l ₁	Ø	g
GN 923.18-80-K6-R	80	26	13	7	26	17	6	16	16	150