

GN 291.1

Square linear actuators

• Square tube

Precision steel tube, chrome-plated **SCR**, DIN 2391.

• Trapezoidal thread on shaft

Steel thrust ball bearings.

• Follower nut

Gun metal.

• End caps

Plastic.

• Types

- Type **R1**: Right hand thread, single shaft end only.
- Type **R2**: Right hand thread, two shaft ends (usually not on stock).
- Type **L1**: Left hand thread, single shaft end only (usually not on stock).
- Type **L2**: Left hand thread, two shaft ends (usually not on stock).

• Assembly

Sliders, connector clamps and accessoires have to be ordered separately.

Features and applications

Square linear actuators GN 291.1 are used if the linear actuator connectors are exposed to high torsion forces.

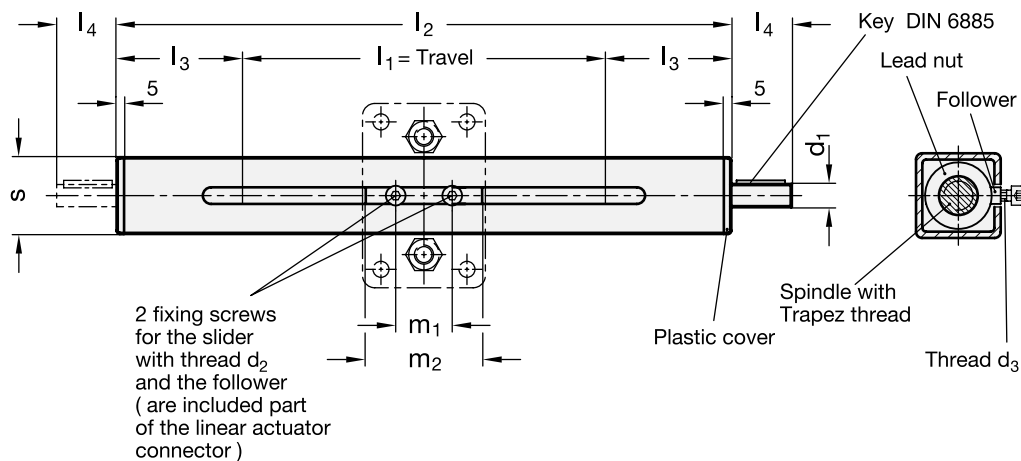
Besides the extensive range of tube clamp connectors there are a number of additional components for mounting on the linear actuator to build slider units.

The two-part tube clamp connectors range includes a wide variety of different components for fixing linear actuators and for setting up linear actuator connectors.

In order to measure the movement and positioning of the linear actuator connectors, the square tube can be fitted with a longitudinal scale.

Special designs on request (For sufficient quantities)

Guide tube, precision AISI 303 stainless steel **NI**, DIN 2462 (all types).



Standard Elements	Main dimensions											Shaft key spring DIN 6885	g
	s	l ₁ Travel (standard lengths)	max. travel	Shaft thread	d ₁ f7	d ₂	l ₂ Total length	l ₃	l ₄	m ₁	m ₂		
GN 291.1-30-100-R1-SCR	30	100	1250	TR14x4	8	M4	l ₁ +210	105	16	23	38	A2x2x12	825
GN 291.1-30-150-R1-SCR	30	150	1250	TR14x4	8	M4	l ₁ +210	105	16	23	38	A2x2x12	948
GN 291.1-30-200-R1-SCR	30	200	1250	TR14x4	8	M4	l ₁ +210	105	16	23	38	A2x2x12	1260
GN 291.1-30-300-R1-SCR	30	300	1250	TR14x4	8	M4	l ₁ +210	105	16	23	38	A2x2x12	1300
GN 291.1-40-70-R1-SCR	40	70	1800	TR20x4	12	M5	l ₁ +240	120	17	42	54	A4x4x12	1685
GN 291.1-40-170-R1-SCR	40	170	1800	TR20x4	12	M5	l ₁ +240	120	17	42	54	A4x4x12	2175
GN 291.1-40-220-R1-SCR	40	220	1800	TR20x4	12	M5	l ₁ +240	120	17	42	54	A4x4x12	2400
GN 291.1-40-270-R1-SCR	40	270	1800	TR20x4	12	M5	l ₁ +240	120	17	42	54	A4x4x12	2709
GN 291.1-40-320-R1-SCR	40	320	1800	TR20x4	12	M5	l ₁ +240	120	17	42	54	A4x4x12	2940

Standard Elements	Main dimensions											Shaft key spring DIN 6885	g
	s	l ₁ Travel (standard lengths)	max. travel	Shaft thread	d ₁ f7	d ₂	l ₂ Total length	l ₃	l ₄	m ₁	m ₂		
GN 291.1-50-65-R1-SCR	50	65	1965	TR20x4	12	M6	l ₁ +245	122,5	18	42	54	A4x4x12	-
GN 291.1-50-115-R1-SCR	50	115	1965	TR20x4	12	M6	l ₁ +245	122,5	18	42	54	A4x4x12	2820
GN 291.1-50-215-R1-SCR	50	215	1965	TR20x4	12	M6	l ₁ +245	122,5	18	42	54	A4x4x12	3100
GN 291.1-50-265-R1-SCR	50	265	1965	TR20x4	12	M6	l ₁ +245	122,5	18	42	54	A4x4x12	3830
GN 291.1-50-315-R1-SCR	50	315	1965	TR20x4	12	M6	l ₁ +245	122,5	18	42	54	A4x4x12	4190
GN 291.1-30-100-R2-SCR*	300	100	1250	TR14x4	8	M4	l ₁ +210	105	16	23	38	A2x2x12	825
GN 291.1-30-150-R2-SCR*	300	150	1250	TR14x4	8	M4	l ₁ +210	105	16	23	38	A2x2x12	948
GN 291.1-30-200-R2-SCR*	30	200	1250	TR14x4	8	M4	l ₁ +210	105	16	23	38	A2x2x12	1260
GN 291.1-30-300-R2-SCR*	30	300	1250	TR14x4	8	M4	l ₁ +210	105	16	23	38	A2x2x12	1300
GN 291.1-40-70-R2-SCR*	40	70	1800	TR20x4	12	M5	l ₁ +240	120	17	42	54	A4x4x12	1685
GN 291.1-40-170-R2-SCR*	40	170	1800	TR20x4	12	M5	l ₁ +240	120	17	42	54	A4x4x12	2175
GN 291.1-40-220-R2-SCR*	40	220	1800	TR20x4	12	M5	l ₁ +240	120	17	42	54	A4x4x12	2400
GN 291.1-40-270-R2-SCR*	40	270	1800	TR20x4	12	M5	l ₁ +240	120	17	42	54	A4x4x12	2709
GN 291.1-40-320-R2-SCR*	40	320	1800	TR20x4	12	M5	l ₁ +240	120	17	42	54	A4x4x12	2940
GN 291.1-50-65-R2-SCR*	50	65	1965	TR20x4	12	M6	l ₁ +245	122,5	18	42	54	A4x4x12	-
GN 291.1-50-115-R2-SCR*	50	115	1965	TR20x4	12	M6	l ₁ +245	122,5	18	42	54	A4x4x12	2820
GN 291.1-50-215-R2-SCR*	50	215	1965	TR20x4	12	M6	l ₁ +245	122,5	18	42	54	A4x4x12	3100
GN 291.1-50-265-R2-SCR*	50	265	1965	TR20x4	12	M6	l ₁ +245	122,5	18	42	54	A4x4x12	3830
GN 291.1-50-315-R2-SCR*	50	315	1965	TR20x4	12	M6	l ₁ +245	122,5	18	42	54	A4x4x12	4190
GN 291.1-30-100-L1-SCR*	30	100	1250	TR14x4	8	M4	l ₁ +210	105	16	23	38	A2x2x12	825
GN 291.1-30-150-L1-SCR*	30	150	1250	TR14x4	8	M4	l ₁ +210	105	16	23	38	A2x2x12	948
GN 291.1-30-200-L1-SCR*	30	200	1250	TR14x4	8	M4	l ₁ +210	105	16	23	38	A2x2x12	1260
GN 291.1-30-300-L1-SCR*	30	300	1250	TR14x4	8	M4	l ₁ +210	105	16	23	38	A2x2x12	1300
GN 291.1-40-70-L1-SCR*	40	70	1800	TR20x4	12	M5	l ₁ +240	120	17	42	54	A4x4x12	1685
GN 291.1-40-170-L1-SCR*	40	170	1800	TR20x4	12	M5	l ₁ +240	120	17	42	54	A4x4x12	2175
GN 291.1-40-220-L1-SCR*	40	220	1800	TR20x4	12	M5	l ₁ +240	120	17	42	54	A4x4x12	2400
GN 291.1-40-270-L1-SCR*	40	270	1800	TR20x4	12	M5	l ₁ +240	120	17	42	54	A4x4x12	2709
GN 291.1-40-320-L1-SCR*	40	320	1800	TR20x4	12	M5	l ₁ +240	120	17	42	54	A4x4x12	2940
GN 291.1-50-65-L1-SCR*	50	65	1965	TR20x4	12	M6	l ₁ +245	122,5	18	42	54	A4x4x12	-
GN 291.1-50-115-L1-SCR*	50	115	1965	TR20x4	12	M6	l ₁ +245	122,5	18	42	54	A4x4x12	2820
GN 291.1-50-215-L1-SCR*	50	215	1965	TR20x4	12	M6	l ₁ +245	122,5	18	42	54	A4x4x12	3100
GN 291.1-50-265-L1-SCR*	50	265	1965	TR20x4	12	M6	l ₁ +245	122,5	18	42	54	A4x4x12	3830
GN 291.1-50-315-L1-SCR*	50	315	1965	TR20x4	12	M6	l ₁ +245	122,5	18	42	54	A4x4x12	4190
GN 291.1-30-100-L2-SCR*	30	100	1250	TR14x4	8	M4	l ₁ +210	105	16	23	38	A2x2x12	825
GN 291.1-30-150-L2-SCR*	30	150	1250	TR14x4	8	M4	l ₁ +210	105	16	23	38	A2x2x12	948
GN 291.1-30-200-L2-SCR*	30	200	1250	TR14x4	8	M4	l ₁ +210	105	16	23	38	A2x2x12	1260
GN 291.1-30-300-L2-SCR*	30	300	1250	TR14x4	8	M4	l ₁ +210	105	16	23	38	A2x2x12	1300
GN 291.1-40-70-L2-SCR*	40	70	1800	TR20x4	12	M5	l ₁ +240	120	17	42	54	A4x4x12	1685
GN 291.1-40-170-L2-SCR*	40	170	1800	TR20x4	12	M5	l ₁ +240	120	17	42	54	A4x4x12	2175
GN 291.1-40-220-L2-SCR*	40	220	1800	TR20x4	12	M5	l ₁ +240	120	17	42	54	A4x4x12	2400
GN 291.1-40-270-L2-SCR*	40	270	1800	TR20x4	12	M5	l ₁ +240	120	17	42	54	A4x4x12	2709
GN 291.1-40-320-L2-SCR*	40	320	1800	TR20x4	12	M5	l ₁ +240	120	17	42	54	A4x4x12	2940
GN 291.1-50-65-L2-SCR*	50	65	1965	TR20x4	12	M6	l ₁ +245	122,5	18	42	54	A4x4x12	-
GN 291.1-50-115-L2-SCR*	50	115	1965	TR20x4	12	M6	l ₁ +245	122,5	18	42	54	A4x4x12	2820
GN 291.1-50-215-L2-SCR*	50	215	1965	TR20x4	12	M6	l ₁ +245	122,5	18	42	54	A4x4x12	3100
GN 291.1-50-265-L2-SCR*	50	265	1965	TR20x4	12	M6	l ₁ +245	122,5	18	42	54	A4x4x12	3830
GN 291.1-50-315-L2-SCR*	50	315	1965	TR20x4	12	M6	l ₁ +245	122,5	18	42	54	A4x4x12	4190

* This sizes are usually not on stock.