

## Base plate connector clamps



**•Material**

AISI CF-8 stainless steel **NI**, matte polished.

**•Clamping screw**

Identification no. **2**: with AISI 304 stainless steel-clamping screw DIN 912 and nut DIN 985.

**•Assembly**

The standard clamping bolts are socket cap screws DIN 912, supplied assembled. They can be replaced by clamping kits GN 911 (description see table of dimensions).

**Features and applications**

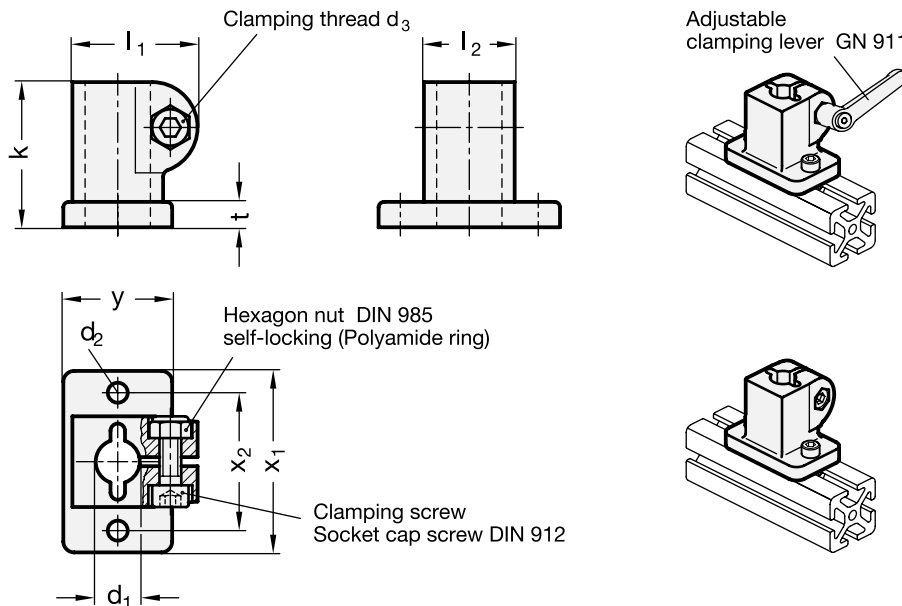
The clamping bores of the base plate connector clamps GN 162.3 with two mounting holes are mechanically machined and designed for construction tubings GN 990 or DIN 2391, DIN 2395 and DIN 2462 respectively.

The standard clamping screws are socket cap screws DIN 912. They can be used in place of adjustable clamping levers GN 911 (see table of dimensions).

Base plate connector clamps GN 162.3 are also suitable for mounting on **profile systems**.

**Accessories**

- Construction tubings GN 990 (see page 109ff.).
- Linear actuators GN 291 (see page 119).
- Linear actuators GN 292 (see page 124).
- Clamping kits GN 911 (clamping handles GN 300.1 with distance bushing) see page 116.



Standard Elements	Main dimensions										Clamping kits for d <sub>3</sub>	⚖ g
	d <sub>1</sub>	d <sub>2</sub>	d <sub>3</sub>	k	l <sub>1</sub>	l <sub>2</sub>	t	x <sub>1</sub>	x <sub>2</sub>	y		
GN 162.3-B12-2-NI	B12	5.5	M6	40	34.5	25	7	50	38	30	GN 911-M6-22	194
GN 162.3-B14-1-NI	B14	5.5	M6	40	34.5	25	7	50	38	30	GN 911-M6-22	185
GN 162.3-B16-1-NI	B16	5.5	M6	40	34.5	25	7	50	38	30	GN 911-M6-22	174
GN 162.3-B18-1-NI	B18	5.5	M6	40	34.5	25	7	50	38	30	GN 911-M6-22	162