

GN 163.1

Base plate linear actuator connectors



•Material

Aluminium.

•Slide bush

Polyamide.

•Finish

RAL 9005 black colour **SW**, matte finish, epoxy resin coating.

•Clamping screws

- Identification no. **1**: with clamping screw DIN 912 and nut DIN 985, zinc-plated.

- Identification no. **2**: with AISI 304 stainless steel-clamping screw DIN 912 and nut DIN 985.

•Assembly

The standard clamping bolts are socket cap screws DIN 912, supplied assembled. They can be replaced by clamping kits GN 911 (description see table of dimensions).

Features and applications

Base plate linear actuator connectors GN 163.1 are normally supplied only in connection with a **mounted** linear actuator and for function control.

By means of the clamping screw on the guide bore d_1 (mechanically machined) the movement can either be set or the linear actuator connector can be clamped (after setting of final adjustment).

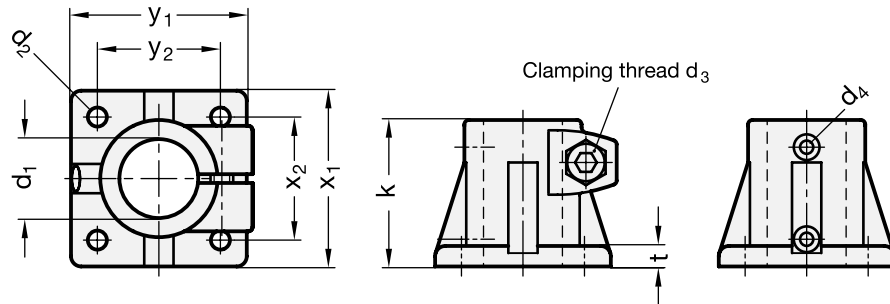
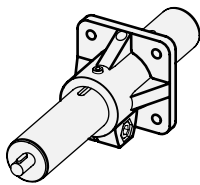
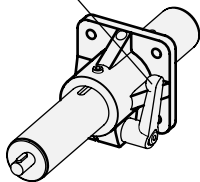
Accessories

- Construction tubings GN 990 (see page 109ff.).

- Linear actuators GN 291 to 293 (see page 119ff.).

- Clamping kits GN 911 (clamping handles GN 300.1 with distance bushing) see page 116.

Adjustable clamping lever GN 911



Standard Elements	Main dimensions											Clamping kits for d_3	\triangle
	Description	d_1 without slider bush	d_1 with slider bush	d_2	d_3	d_4 Mounting screw on the follower	Clamping length k	t	x_1	x_2	y_1		
GN 163.1-B30-1-SW	B30	-	6.5	M8	M4	50	7	60	42	60	42	GN 911-M8-32	145
GN 163.1-G30-1-SW	-	G30	6.5	M8	M4	50	7	60	42	60	42	GN 911-M8-32	130
GN 163.1-B40-1-SW	B40	-	8.5	M10	M5	70	10	90	64	90	64	GN 911-M10-40	430
GN 163.1-G40-1-SW	-	G40	8.5	M10	M5	70	10	90	64	90	64	GN 911-M10-40	400
GN 163.1-B50-1-SW	B50	-	11	M10	M6	85	14	105	74	105	74	GN 911-M10-55	700
GN 163.1-G50-1-SW	-	G50	11	M10	M6	85	14	105	74	105	74	GN 911-M10-55	650
GN 163.1-B60-1-SW	B60	-	11	M10	M8	100	14	125	89	125	89	GN 911-M10-55	1020
GN 163.1-G60-1-SW	-	G60	11	M10	M8	100	14	125	89	125	89	GN 911-M10-55	1020
GN 163.1-B30-2-SW	B30	-	6.5	M8	M4	50	7	60	42	60	42	GN 911-M8-32	145
GN 163.1-G30-2-SW	-	G30	6.5	M8	M4	50	7	60	42	60	42	GN 911-M8-32	130
GN 163.1-B40-2-SW	B40	-	8.5	M10	M5	70	10	90	64	90	64	GN 911-M10-40	430
GN 163.1-G40-2-SW	-	G40	8.5	M10	M5	70	10	90	64	90	64	GN 911-M10-40	400
GN 163.1-B50-2-SW	B50	-	11	M10	M6	85	14	105	74	105	74	GN 911-M10-55	700
GN 163.1-G50-2-SW	-	G50	11	M10	M6	85	14	105	74	105	74	GN 911-M10-55	650
GN 163.1-B60-2-SW	B60	-	11	M10	M8	100	14	125	89	125	89	GN 911-M10-55	1020
GN 163.1-G60-2-SW	-	G60	11	M10	M8	100	14	125	89	125	89	GN 911-M10-55	1020