

# GN 145.1

## Flanged linear actuator connectors

### •Material

Aluminium.

### •Slide bush

Polyamide.

### •Finish

RAL 9005 black colour **SW**, matte finish, epoxy resin coating.

### •Clamping screw

- Identification no. **1**: with clamping screw DIN 912 and nut DIN 985, zinc-plated.

- Identification no. **2**: with AISI 304 stainless steel-clamping screw DIN 912 and nut DIN 985.

### •Assembly

The standard clamping bolts are socket cap screws DIN 912, supplied assembled. They can be replaced by clamping kits GN 911 (description see table of dimensions).

### Features and applications

Linear actuator connectors GN 145.1 are normally supplied only in connection with a **mounted** linear actuator and for function control.

By means of the clamping screw on the guide bore  $d_1$  (mechanically machined) the movement can either be set or the linear actuator connector can be clamped (after setting of final adjustment).

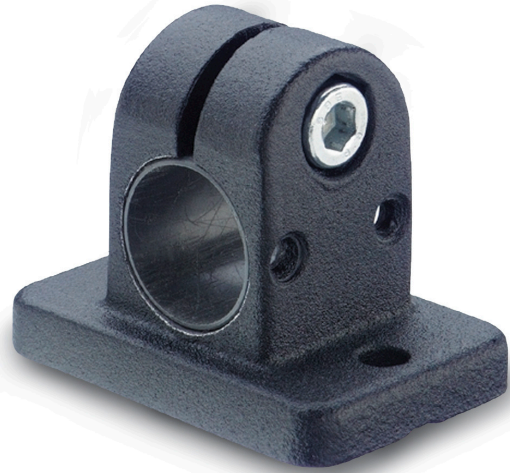
### Accessories

- Construction tubings GN 990 (see page 109ff.).

- Linear actuators GN 291 (see page 119).

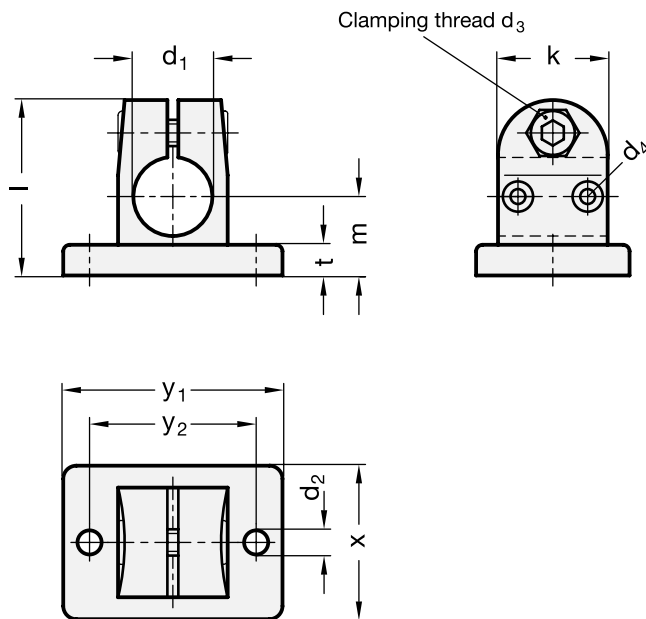
- Linear actuators GN 292 (see page 124).

- Clamping kits GN 911 (clamping handles GN 300.1 with distance bushing) see page 116.

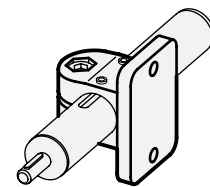
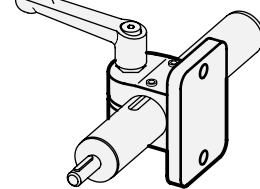


132

Tube clamp connectors, Linear actuators



Adjustable clamping lever GN 911



Standard Elements	Main dimensions												Clamping kits for $d_3$	$\Delta$ g
	$d_1$ without slider bush	$d_1$ with slider bush	$d_2$	$d_3$	$d_4$ Mounting screw on the follower	k Clamping length	l	m	t	x	$y_1$	$y_2$		
GN 145.1-B18-1-SW	B18	-	5.5	M6	M3	25	40	18	7	35	50	38	GN 911-M6-22	60
GN 145.1-G18-1-SW	-	G18	5.5	M6	M3	25	40	18	7	35	50	38	GN 911-M6-22	57
GN 145.1-B18-2-SW	B18	-	5.5	M6	M3	25	40	18	7	35	50	38	GN 911-M6-22	60
GN 145.1-G18-2-SW	-	G18	5.5	M6	M3	25	40	18	7	35	50	38	GN 911-M6-22	57