

# GN 132.2

## Linear actuator connectors



### •Material

Aluminium.

### •Slide bush

Polyamide.

### •Finish

RAL 9005 black colour **SW**, matte finish, epoxy resin coating.

### •Clamping screws

- Identification no. **1**: with two clamping screws DIN 912 and nuts DIN 985, zinc-plated.

- Identification no. **2**: with two AISI 304 stainless steel-clamping screws DIN 912 and nuts DIN 985.

### •Assembly

The standard clamping bolts are socket cap screws DIN 912, supplied assembled. They can be replaced by clamping kits GN 911 (description see table of dimensions).

### Features and applications

Linear actuator connectors GN 132.2 for two-way system are normally supplied only in connection with a **mounted** linear actuator and for function control.

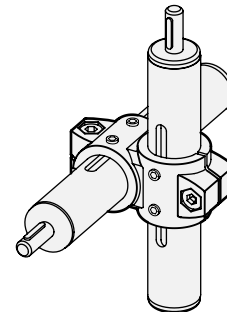
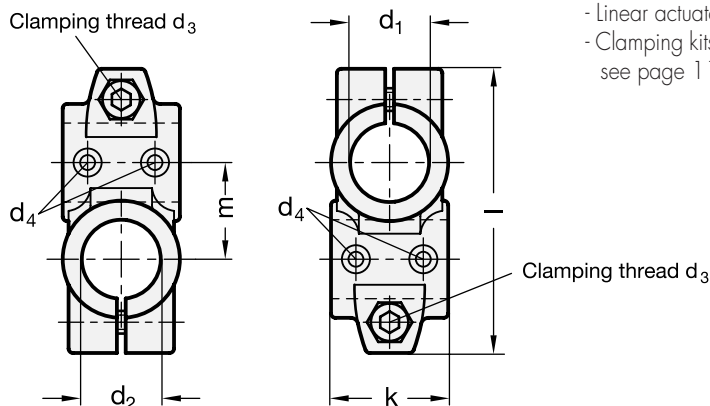
By means of the clamping screw on the guide bores  $d_1/d_2$  (mechanically machined) the movement can either be set or the slider can be clamped (after setting of final adjustment).

### Accessories

- Construction tubings GN 990 (see page 109ff.).

- Linear actuators GN 291 to 293 (see page 119ff.).

- Clamping kits GN 911 (clamping handles GN 300.1 with distance bushing) see page 116.



Standard Elements	Main dimensions									Clamping kits for $d_3$	△ g
	$d_1$ without slider bush	$d_1$ with slider bush	$d_2$ without slider bush	$d_2$ with slider bush	$d_3$	$d_4$ Mounting screw on the follower	k Clamping length	l	m		
GN 132.2-B30-B30-1-SW	B30	-	B30	-	M8	M4	40	97	33	GN 911-M8-32	170
GN 132.2-G30-G30-1-SW	-	G30	-	G30	M8	M4	40	97	33	GN 911-M8-32	170
GN 132.2-B40-B40-1-SW	B40	-	B40	-	M10	M5	56	125	45	GN 911-M10-40	410
GN 132.2-G40-G40-1-SW	-	G40	-	G40	M10	M5	56	125	45	GN 911-M10-40	410
GN 132.2-B50-B50-1-SW	B50	-	B50	-	M10	M6	65	143	53	GN 911-M10-55	600
GN 132.2-G50-G50-1-SW	-	G50	-	G50	M10	M6	65	143	53	GN 911-M10-55	600
GN 132.2-B60-B60-1-SW	B60	-	B60	-	M10	M8	80	169	65	GN 911-M10-55	1000
GN 132.2-G60-G60-1-SW	-	G60	-	G60	M10	M8	80	169	65	GN 911-M10-55	1000
GN 132.2-B30-B30-2-SW	B30	-	B30	-	M8	M4	40	97	33	GN 911-M8-32	170
GN 132.2-G30-G30-2-SW	-	G30	-	G30	M8	M4	40	97	33	GN 911-M8-32	170
GN 132.2-B40-B40-2-SW	B40	-	B40	-	M10	M5	56	125	45	GN 911-M10-40	410
GN 132.2-G40-G40-2-SW	-	G40	-	G40	M10	M5	56	125	45	GN 911-M10-40	410
GN 132.2-B50-B50-2-SW	B50	-	B50	-	M10	M6	65	143	53	GN 911-M10-55	600
GN 132.2-G50-G50-2-SW	-	G50	-	G50	M10	M6	65	143	53	GN 911-M10-55	600
GN 132.2-B60-B60-2-SW	B60	-	B60	-	M10	M8	80	169	65	GN 911-M10-55	1000
GN 132.2-G60-G60-2-SW	-	G60	-	G60	M10	M8	80	169	65	GN 911-M10-55	1000