

# GN 132.1

## Linear actuator connectors

### •Material

Aluminium.

### •Slide bush

Polyamide.

### •Finish

RAL 9005 black colour **SW**, matte finish, epoxy resin coating.

### •Clamping screws

- Identification no. **1**: with two clamping screws DIN 912 and nuts DIN 985, zinc-plated.
- Identification no. **2**: with two AISI 304 stainless steel-clamping screws DIN 912 and nuts DIN 985.

### •Assembly

The standard clamping bolts are socket cap screws DIN 912, supplied assembled. They can be replaced by clamping kits GN 911 (description see table of dimensions).

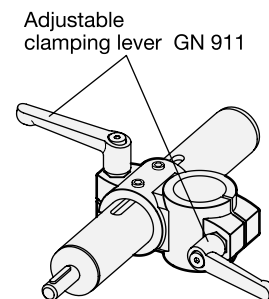
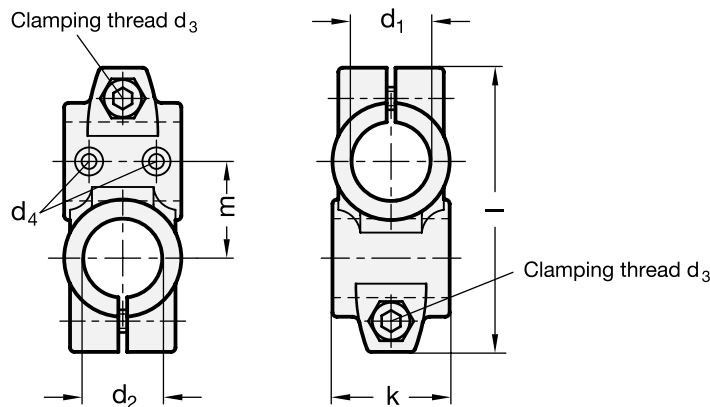
### Features and applications

Linear actuator connectors GN 132.1 for single system are normally supplied only in connection with a **mounted** linear actuator and for function control.

By means of the clamping screw on the guide bores  $d_1/d_2$  (mechanically machined) the movement can either be set or the slider can be clamped (after setting of final adjustment).

### Accessories

- Construction tubings GN 990 (see page 109ff.).
- Linear actuators GN 291 to 293 (see page 119ff.).
- Clamping kits GN 911 (clamping handles GN 300.1 with distance bushing) see page 116.



Standard Elements	Main dimensions								Clamping kits for $d_3$	g
	$d_1$ without slider bush	$d_1$ with slider bush	$d_2$ without slider bush	$d_3$	$d_4$ Mounting screw on the follower	k Clamping length	l	m		
GN 132.1-B30-B30-1-SW	B30	-	B30	M8	M4	40	97	33	GN 911-M8-32	170
GN 132.1-G30-B30-1-SW	-	G30	B30	M8	M4	40	97	33	GN 911-M8-32	170
GN 132.1-B40-B40-1-SW	B40	-	B40	M10	M5	56	125	45	GN 911-M10-40	410
GN 132.1-G40-B40-1-SW	-	G40	B40	M10	M5	56	125	45	GN 911-M10-40	410
GN 132.1-B50-B50-1-SW	B50	-	B50	M10	M6	65	143	53	GN 911-M10-55	600
GN 132.1-G50-B50-1-SW	-	G50	B50	M10	M6	65	143	53	GN 911-M10-55	600
GN 132.1-B60-B60-1-SW	B60	-	B60	M10	M8	80	169	65	GN 911-M10-55	1000
GN 132.1-G60-B60-1-SW	-	G60	B60	M10	M8	80	169	65	GN 911-M10-55	1000
GN 132.1-B30-B30-2-SW	B30	-	B30	M8	M4	40	97	33	GN 911-M8-32	170
GN 132.1-G30-B30-2-SW	-	G30	B30	M8	M4	40	97	33	GN 911-M8-32	170
GN 132.1-B40-B40-2-SW	B40	-	B40	M10	M5	56	125	45	GN 911-M10-40	410
GN 132.1-G40-B40-2-SW	-	G40	B40	M10	M5	56	125	45	GN 911-M10-40	410
GN 132.1-B50-B50-2-SW	B50	-	B50	M10	M6	65	143	53	GN 911-M10-55	600
GN 132.1-G50-B50-2-SW	-	G50	B50	M10	M6	65	143	53	GN 911-M10-55	600
GN 132.1-B60-B60-2-SW	B60	-	B60	M10	M8	80	169	65	GN 911-M10-55	1000
GN 132.1-G60-B60-2-SW	-	G60	B60	M10	M8	80	169	65	GN 911-M10-55	1000