

# GN 293

## Linear actuators



- **Guide tube**  
Precision steel tube, chrome-plated **SCR**, DIN 2391.
- **Trapezoidal thread on shaft**  
Steel thrust ball bearings.
- **Follower nut**  
Gun metal.
- **End caps**  
Plastic.
- **Types**
  - Type **RL2**: one shaft right hand thread and one shaft left hand thread.
  - Type **RR2**: both shafts right hand thread.
  - Type **LL2**: both shafts left hand thread.
- **Assembly**  
Sliders, connector clamps and accessoires have to be ordered separately.

### Features and applications

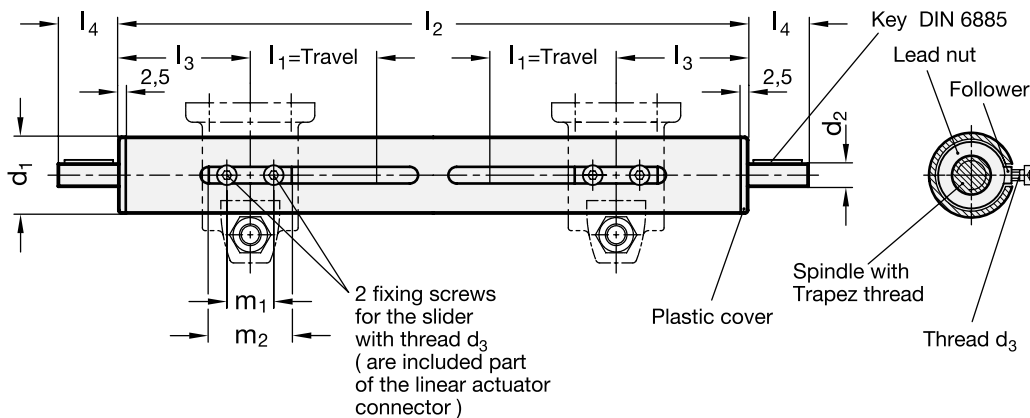
In addition to the standard travel lengths specified in the above table for linear actuator GN 293 any length inside the maximum length is available. Besides the extensive range of tube clamp connectors there are a number of additional components for mounting on the linear actuator to build slider units. In order to measure the movement and positioning of the sliders, digital as well as analogue position indicators can be added and furthermore the guide tube can be provided with a longitudinal scale along the slot.

### Accessories

- Installation kits for linear actuators GN 295 (see page 159).
- Longitudinal scales GN 299 (see page 156).

### Special designs on request *(For sufficient quantities)*

Guide tube, precision AISI 303 stainless steel **NI**, DIN 2462 (all types).



Standard Elements	Main dimensions											Shaft key spring DIN 6885
	d1	l1 Travel (standard lengths)	max. travel	Shaft thread	d2 f7	d3	l2 Total length	l3	l4	m1	m2	
GN 293-30-100-RL2-SCR*	30	100*	for every 601	TR14x4	8	M4	2xli+253	102.5	16	23	38	A2x2x12
GN 293-40-170-RL2-SCR*	40	170*	for every 753	TR20x4	12	M5	2xli+299	117.5	17	42	54	A4x4x12
GN 293-50-200-RL2-SCR*	50	200*	for every 748	TR20x4	12	M6	2xli+309	120	18	42	54	A4x4x12
GN 293-60-250-RL2-SCR*	60	250*	for every 715	TR24x5	14	M8	2xli+375	142.5	19	50	70	A5x5x16
GN 293-30-100-RR2-SCR*	30	100*	for every 601	TR14x4	8	M4	2xli+253	102.5	16	23	38	A2x2x12
GN 293-40-170-RR2-SCR*	40	170*	for every 753	TR20x4	12	M5	2xli+299	117.5	17	42	54	A4x4x12
GN 293-50-200-RR2-SCR*	50	200*	for every 748	TR20x4	12	M6	2xli+309	120	18	42	54	A4x4x12
GN 293-60-250-RR2-SCR*	60	250*	for every 715	TR24x5	14	M8	2xli+375	142.5	19	50	70	A5x5x16
GN 293-30-100-LL2-SCR*	30	100*	for every 601	TR14x4	8	M4	2xli+253	102.5	16	23	38	A2x2x12
GN 293-40-170-LL2-SCR*	40	170*	for every 753	TR20x4	12	M5	2xli+299	117.5	17	42	54	A4x4x12
GN 293-50-200-LL2-SCR*	50	200*	for every 748	TR20x4	12	M6	2xli+309	120	18	42	54	A4x4x12
GN 293-60-250-LL2-SCR*	60	250*	for every 715	TR24x5	14	M8	2xli+375	142.5	19	50	70	A5x5x16

\* This sizes are usually not on stock.