

# GN 292

## Linear actuators

### •Guide tube

Precision steel tube, chrome-plated **SCR**, DIN 2391.

### •Trapezoidal thread on shaft

Steel thrust ball bearings.

### •Follower nut

Gun metal.

### •End caps

Plastic.

### •Types

- Type **RL1**: Shaft end protruding at one end only.

- Type **RL2**: Shaft end protruding at both ends.

### •Assembly

Sliders, connector clamps and accessories have to be ordered separately.



### Features and applications

In addition to the standard travel lengths specified in the above table for linear actuator GN 292 any length inside the maximum length is available.

Besides the extensive range of tube clamp connectors there are a number of additional components for mounting on the linear actuator to build slider units.

In order to measure the movement and positioning of the sliders, digital as well as analogue position indicators can be added and furthermore the guide tube can be provided with a longitudinal scale along the slot.

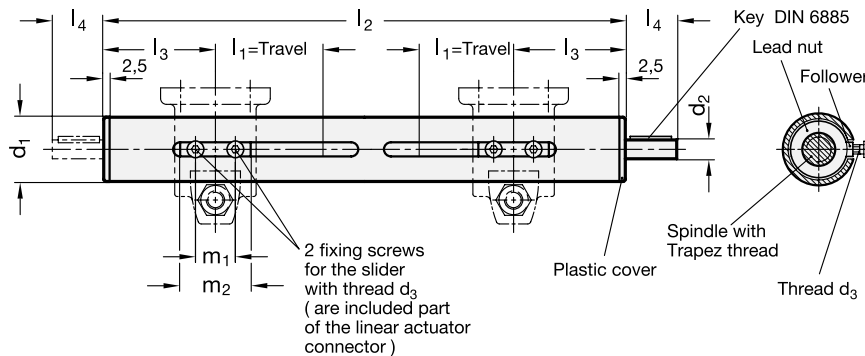
### Accessories

- Installation kits for linear actuators GN 295 (see page 159).

- Longitudinal scales GN 299 (see page 160).

### Special designs on request (For sufficient quantities)

Guide tube, precision AISI 303 stainless steel **NI**, DIN 2462 (all types).



Standard Elements	Main dimensions											Shaft key spring DIN 6885	g
	d1	l1 Travel (standard lengths)	max. travel	Shaft thread	d2 f7	d3	l2 Total length	l3	l4	m1	m2		
GN 292-18-120-RL1-SCR*	18	120	for every 167	TR10x3	6	M3	2x l1+171	70	16	17	24	A2x2x12	440
GN 292-30-130-RL1-SCR*	30	130	for every 601	TR14x4	8	M4	2x l1+253	102.5	16	23	38	A2x2x12	1250
GN 292-40-205-RL1-SCR*	40	205	for every 753	TR20x4	12	M5	2x l1+299	117.5	17	42	54	A4x4x12	3560
GN 292-40-255-RL1-SCR*	40	255	for every 753	TR20x4	12	M5	2x l1+299	117.5	17	42	54	A4x4x12	3700
GN 292-50-300-RL1-SCR*	50	300	for every 748	TR20x4	12	M6	2x l1+309	120	18	42	54	A4x4x12	6400
GN 292-50-350-RL1-SCR*	50	350	for every 748	TR20x4	12	M6	2x l1+309	120	18	42	54	A4x4x12	6700
GN 292-60-300-RL1-SCR*	60	300	for every 715	TR24x5	14	M8	2x l1+375	142.5	19	50	70	A5x5x16	-
GN 292-18-120-RL2-SCR*	18	120	for every 167	TR10x3	6	M3	2x l1+171	70	16	17	24	A2x2x12	440
GN 292-30-130-RL2-SCR*	30	130	for every 601	TR14x4	8	M4	2x l1+253	102.5	16	23	38	A2x2x12	1250
GN 292-40-205-RL2-SCR*	40	205	for every 753	TR20x4	12	M5	2x l1+299	117.5	17	42	54	A4x4x12	3560
GN 292-40-255-RL2-SCR*	40	255	for every 753	TR20x4	12	M5	2x l1+299	117.5	17	42	54	A4x4x12	3700
GN 292-50-300-RL2-SCR*	50	300	for every 748	TR20x4	12	M6	2x l1+309	120	18	42	54	A4x4x12	6400
GN 292-50-350-RL2-SCR*	50	350	for every 748	TR20x4	12	M6	2x l1+309	120	18	42	54	A4x4x12	6700
GN 292-60-300-RL2-SCR*	60	300	for every 715	TR24x5	14	M8	2x l1+375	142.5	19	50	70	A5x5x16	-

\* This sizes are usually not on stock.