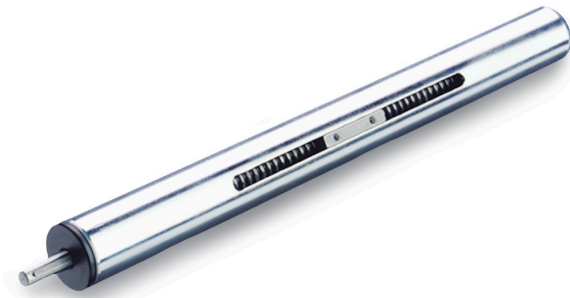


GN 291

Linear actuators

119

Tube clamp connectors, Linear actuators



•Guide tube

Precision steel tube, chrome-plated **SCR**, DIN 2391.

•Trapezoidal thread on shaft

Steel thrust ball bearings.

•Follower nut

Gun metal.

•End caps

Plastic.

•Types

- Type **R1**: Right hand thread, single shaft end only.
- Type **R2**: Right hand thread, two shaft ends (usually not on stock).
- Type **L1**: Left hand thread, single shaft end only (usually not on stock).
- Type **L2**: Left hand thread, two shaft ends (usually not on stock).

•Assembly

Sliders, connector clamps and accessoires have to be ordered separately.

Features and applications

In addition to the standard travel lengths specified in the above table for linear actuator GN 291 any length inside the maximum length is available.

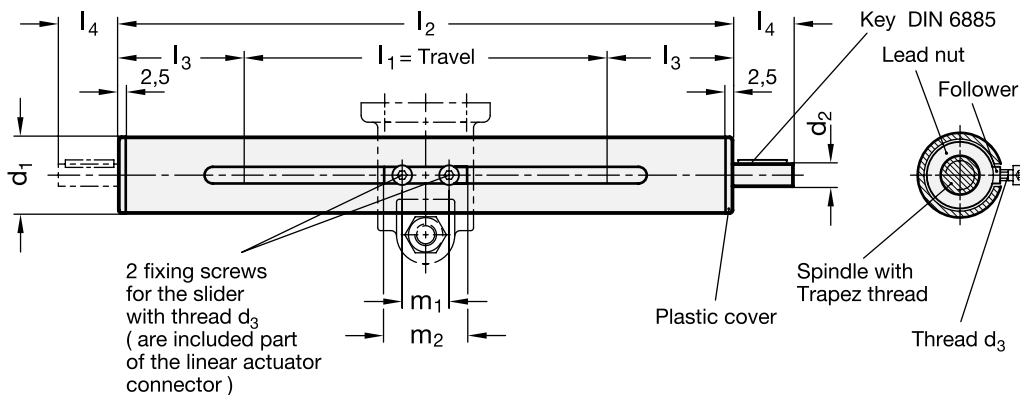
Besides the extensive range of tube clamp connectors there are a number of additional components for mounting on the linear actuator to build slider units. In order to measure the movement and positioning of the sliders, digital as well as analogue position indicators can be added.

Accessories

- Housings GN 298 (see page 166).
- Bevel gear wheels GN 297 (see page 165).
- Installation kits for linear actuators GN 295 (see page 159).
- Longitudinal scales GN 299 (see page 160).

Special designs on request (For sufficient quantities)

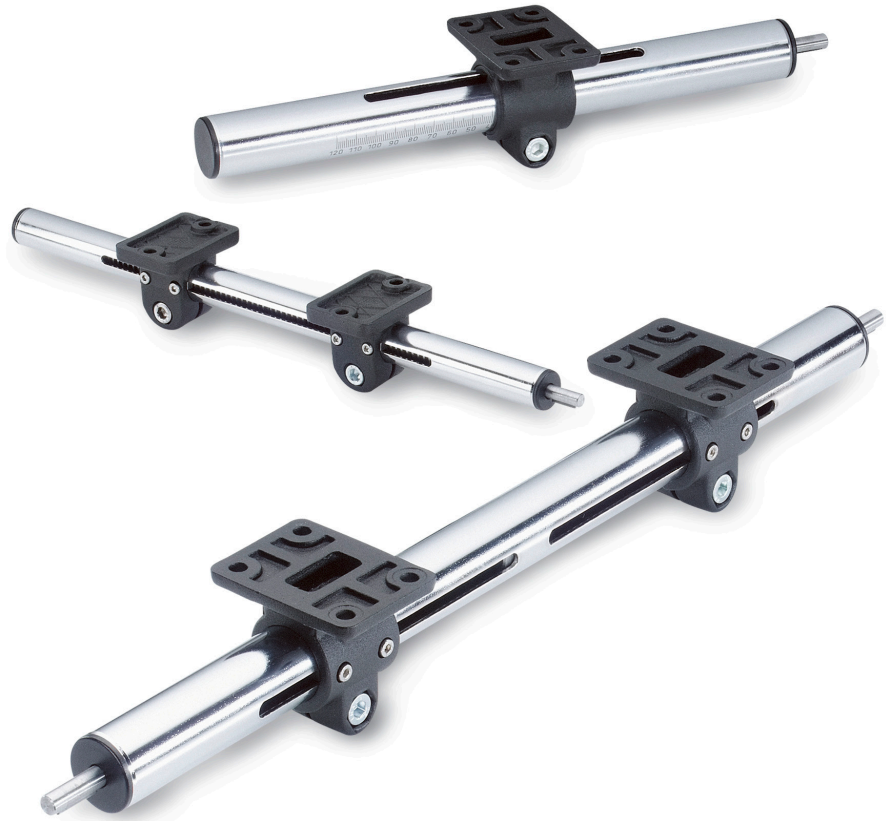
Guide tube, precision AISI 303 stainless steel **NI**, DIN 2462 (all types).



Standard Elements	Main dimensions											Shaft key spring DIN 6885	g
	d1	l1 Travel (standard lengths)	max. travel	Shaft thread	d2 f7	d3	l2 Total length	l3	l4	m1	m2		
GN 291-18-65-R1-SCR	18	65	350	TR10x3	6	M3	l1+140	70	16	17	24	A2x2x12	230
GN 291-18-165-R1-SCR	18	165	350	TR10x3	6	M3	l1+140	70	16	17	24	A2x2x12	330
GN 291-18-265-R1-SCR	18	265	350	TR10x3	6	M3	l1+140	70	16	17	24	A2x2x12	430
GN 291-30-100-R1-SCR	30	100	1250	TR14x4	8	M4	l1+205	102.5	16	23	38	A2x2x12	780
GN 291-30-150-R1-SCR	30	150	1250	TR14x4	8	M4	l1+205	102.5	16	23	38	A2x2x12	890
GN 291-30-200-R1-SCR	30	200	1250	TR14x4	8	M4	l1+205	102.5	16	23	38	A2x2x12	1000
GN 291-30-300-R1-SCR	30	300	1250	TR14x4	8	M4	l1+205	102.5	16	23	38	A2x2x12	1210
GN 291-40-70-R1-SCR	40	70	1800	TR20x4	12	M5	l1+235	117.5	17	42	54	A4x4x12	1640
GN 291-40-170-R1-SCR	40	170	1800	TR20x4	12	M5	l1+235	117.5	17	42	54	A4x4x12	2080
GN 291-40-220-R1-SCR	40	220	1800	TR20x4	12	M5	l1+235	117.5	17	42	54	A4x4x12	2310
GN 291-40-270-R1-SCR	40	270	1800	TR20x4	12	M5	l1+235	117.5	17	42	54	A4x4x12	2530
GN 291-40-320-R1-SCR	40	320	1800	TR20x4	12	M5	l1+235	117.5	17	42	54	A4x4x12	2750

Standard Elements	Main dimensions											Shaft key spring DIN 6885	g
	Description	d1	l1 Travel (standard lengths)	max. travel	Shaft thread	d2 f7	d3	l2 Total length	l3	l4	m1		
GN 291-50-65-R1-SCR	50	65	1965	TR20x4	12	M6	l1+240	120	18	42	54	A4x4x12	4620
GN 291-50-115-R1-SCR	50	115	1965	TR20x4	12	M6	l1+240	120	18	42	54	A4x4x12	2720
GN 291-50-215-R1-SCR	50	215	1965	TR20x4	12	M6	l1+240	120	18	42	54	A4x4x12	3360
GN 291-50-265-R1-SCR	50	265	1965	TR20x4	12	M6	l1+240	120	18	42	54	A4x4x12	3670
GN 291-50-315-R1-SCR	50	315	1965	TR20x4	12	M6	l1+240	120	18	42	54	A4x4x12	3990
GN 291-60-220-R1-SCR	60	220	1920	TR24x4	14	M8	l1+285	142.5	19	50	70	A5x5x16	5300
GN 291-60-720-R1-SCR	60	720	1920	TR24x4	14	M8	l1+285	142.5	19	50	70	A5x5x16	9920
GN 291-18-65-L1-SCR*	18	65	350	TR10x3	6	M3	l1+140	70	16	17	24	A2x2x12	230
GN 291-18-165-L1-SCR*	18	165	350	TR10x3	6	M3	l1+140	70	16	17	24	A2x2x12	330
GN 291-18-265-L1-SCR*	18	265	350	TR10x3	6	M3	l1+140	70	16	17	24	A2x2x12	430
GN 291-30-100-L1-SCR*	30	100	1250	TR14x4	8	M4	l1+205	102.5	16	23	38	A2x2x12	780
GN 291-30-150-L1-SCR*	30	150	1250	TR14x4	8	M4	l1+205	102.5	16	23	38	A2x2x12	890
GN 291-30-200-L1-SCR*	30	200	1250	TR14x4	8	M4	l1+205	102.5	16	23	38	A2x2x12	1000
GN 291-30-300-L1-SCR*	30	300	1250	TR14x4	8	M4	l1+205	102.5	16	23	38	A2x2x12	1210
GN 291-40-70-L1-SCR*	40	70	1800	TR20x4	12	M5	l1+235	117.5	17	42	54	A4x4x12	1640
GN 291-40-170-L1-SCR*	40	170	1800	TR20x4	12	M5	l1+235	117.5	17	42	54	A4x4x12	2080
GN 291-40-220-L1-SCR*	40	220	1800	TR20x4	12	M5	l1+235	117.5	17	42	54	A4x4x12	2310
GN 291-40-270-L1-SCR*	40	270	1800	TR20x4	12	M5	l1+235	117.5	17	42	54	A4x4x12	2530
GN 291-40-320-L1-SCR*	40	320	1800	TR20x4	12	M5	l1+235	117.5	17	42	54	A4x4x12	2750
GN 291-50-65-L1-SCR*	50	65	1965	TR20x4	12	M6	l1+240	120	18	42	54	A4x4x12	4620
GN 291-50-115-L1-SCR*	50	115	1965	TR20x4	12	M6	l1+240	120	18	42	54	A4x4x12	2720
GN 291-50-215-L1-SCR*	50	215	1965	TR20x4	12	M6	l1+240	120	18	42	54	A4x4x12	3360
GN 291-50-265-L1-SCR*	50	265	1965	TR20x4	12	M6	l1+240	120	18	42	54	A4x4x12	3670
GN 291-50-315-L1-SCR*	50	315	1965	TR20x4	12	M6	l1+240	120	18	42	54	A4x4x12	3990
GN 291-60-220-L1-SCR*	60	220	1920	TR24x4	14	M8	l1+285	142.5	19	50	70	A5x5x16	5300
GN 291-60-720-L1-SCR*	60	720	1920	TR24x4	14	M8	l1+285	142.5	19	50	70	A5x5x16	9920
GN 291-18-65-R2-SCR*	18	65	350	TR10x3	6	M3	l1+140	70	16	17	24	A2x2x12	230
GN 291-18-165-R2-SCR*	18	165	350	TR10x3	6	M3	l1+140	70	16	17	24	A2x2x12	330
GN 291-18-265-R2-SCR*	18	265	350	TR10x3	6	M3	l1+140	70	16	17	24	A2x2x12	430
GN 291-30-100-R2-SCR*	30	100	1250	TR14x4	8	M4	l1+205	102.5	16	23	38	A2x2x12	780
GN 291-30-150-R2-SCR*	30	150	1250	TR14x4	8	M4	l1+205	102.5	16	23	38	A2x2x12	890
GN 291-30-200-R2-SCR*	30	200	1250	TR14x4	8	M4	l1+205	102.5	16	23	38	A2x2x12	1000
GN 291-30-300-R2-SCR*	30	300	1250	TR14x4	8	M4	l1+205	102.5	16	23	38	A2x2x12	1210
GN 291-40-70-R2-SCR*	40	70	1800	TR20x4	12	M5	l1+235	117.5	17	42	54	A4x4x12	1640
GN 291-40-170-R2-SCR*	40	170	1800	TR20x4	12	M5	l1+235	117.5	17	42	54	A4x4x12	2080
GN 291-40-220-R2-SCR*	40	220	1800	TR20x4	12	M5	l1+235	117.5	17	42	54	A4x4x12	2310
GN 291-40-270-R2-SCR*	40	270	1800	TR20x4	12	M5	l1+235	117.5	17	42	54	A4x4x12	2530
GN 291-40-320-R2-SCR*	40	320	1800	TR20x4	12	M5	l1+235	117.5	17	42	54	A4x4x12	2750
GN 291-50-65-R2-SCR*	50	65	1965	TR20x4	12	M6	l1+240	120	18	42	54	A4x4x12	4620
GN 291-50-115-R2-SCR*	50	115	1965	TR20x4	12	M6	l1+240	120	18	42	54	A4x4x12	2720
GN 291-50-215-R2-SCR*	50	215	1965	TR20x4	12	M6	l1+240	120	18	42	54	A4x4x12	3360
GN 291-50-265-R2-SCR*	50	265	1965	TR20x4	12	M6	l1+240	120	18	42	54	A4x4x12	3670
GN 291-50-315-R2-SCR*	50	315	1965	TR20x4	12	M6	l1+240	120	18	42	54	A4x4x12	3990
GN 291-60-220-R2-SCR*	60	220	1920	TR24x4	14	M8	l1+285	142.5	19	50	70	A5x5x16	5300
GN 291-60-720-R2-SCR*	60	720	1920	TR24x4	14	M8	l1+285	142.5	19	50	70	A5x5x16	9920

* This sizes are usually not on stock.



Linear actuators GN 291 (see page 119)
 Linear actuators GN 292 (see page 124)
 Linear actuators GN 293 (see page 125)
 Longitudinal scales GN 299 (see page 162ff.)
 Linear actuator connectors GN 145.1 (see page 132)
 Linear actuator connectors GN 146.1 (see page 134)

Standard Elements	Main dimensions											Shaft key spring DIN 6885	△ g
	d1	l1 Travel (standard lengths)	max. travel	Shaft thread	d2 f7	d3	l2 Total length	l3	l4	m1	m2		
GN 291-18-65-L2-SCR*	18	65	350	TR10x3	6	M3	l1+140	70	16	17	24	A2x2x12	230
GN 291-18-165-L2-SCR*	18	165	350	TR10x3	6	M3	l1+140	70	16	17	24	A2x2x12	330
GN 291-18-265-L2-SCR*	18	265	350	TR10x3	6	M3	l1+140	70	16	17	24	A2x2x12	430
GN 291-30-100-L2-SCR*	30	100	1250	TR14x4	8	M4	l1+205	102.5	16	23	38	A2x2x12	780
GN 291-30-150-L2-SCR*	30	150	1250	TR14x4	8	M4	l1+205	102.5	16	23	38	A2x2x12	890
GN 291-30-200-L2-SCR*	30	200	1250	TR14x4	8	M4	l1+205	102.5	16	23	38	A2x2x12	1000
GN 291-30-300-L2-SCR*	30	300	1250	TR14x4	8	M4	l1+205	102.5	16	23	38	A2x2x12	1210
GN 291-40-70-L2-SCR*	40	70	1800	TR20x4	12	M5	l1+235	117.5	17	42	54	A4x4x12	1640
GN 291-40-170-L2-SCR*	40	170	1800	TR20x4	12	M5	l1+235	117.5	17	42	54	A4x4x12	2080
GN 291-40-220-L2-SCR*	40	220	1800	TR20x4	12	M5	l1+235	117.5	17	42	54	A4x4x12	2310
GN 291-40-270-L2-SCR*	40	270	1800	TR20x4	12	M5	l1+235	117.5	17	42	54	A4x4x12	2530
GN 291-40-320-L2-SCR*	40	320	1800	TR20x4	12	M5	l1+235	117.5	17	42	54	A4x4x12	2750
GN 291-50-65-L2-SCR*	50	65	1965	TR20x4	12	M6	l1+240	120	18	42	54	A4x4x12	4620
GN 291-50-115-L2-SCR*	50	115	1965	TR20x4	12	M6	l1+240	120	18	42	54	A4x4x12	2720
GN 291-50-215-L2-SCR*	50	215	1965	TR20x4	12	M6	l1+240	120	18	42	54	A4x4x12	3360
GN 291-50-265-L2-SCR*	50	265	1965	TR20x4	12	M6	l1+240	120	18	42	54	A4x4x12	3670
GN 291-50-315-L2-SCR*	50	315	1965	TR20x4	12	M6	l1+240	120	18	42	54	A4x4x12	3990
GN 291-60-220-L2-SCR*	60	220	1920	TR24x4	14	M8	l1+285	142.5	19	50	70	A5x5x16	5300
GN 291-60-720-L2-SCR*	60	720	1920	TR24x4	14	M8	l1+285	142.5	19	50	70	A5x5x16	9920

* This sizes are usually not on stock.