

Clamping kits

•Lever body

Zinc alloy die-cast, epoxy resin coating.

•Colour

RAL 9006 silver.

•Clamping element

AISI 303 stainless steel with threaded hole and toothed element for coupling to the lever body, AISI 303 stainless steel screw and AISI 301 stainless steel return spring.

•Locking nut

AISI 304 stainless steel.

•Distance bushing

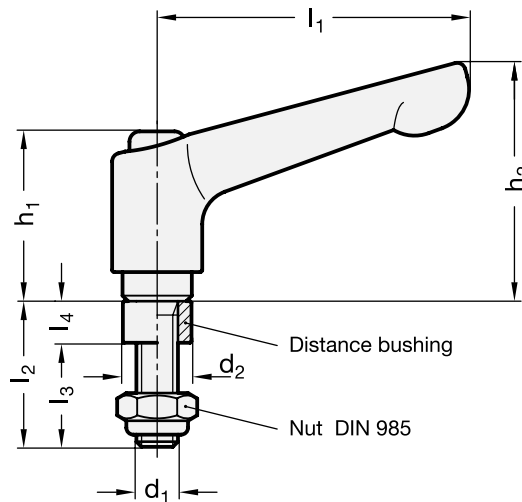
AISI 303 stainless steel.

Features and applications

The clamping kit is an adjustable handle for clamp connectors.

The clamping kits GN 911 can be used instead of the hexagon socket cap screws DIN 912 for connector clamps.

The table of the connector clamps shows the corresponding clamping kit for each clamping point.



Standard Elements	Main dimensions								△
Description	d1	d2	l1	l2	l3	l4	h1	h2	g
GN 911-M6-22	M6	9.9	45	22	19	3	24.5	35	40
GN 911-M6-25	M6	9.9	45	25	22	3	24.5	35	41
GN 911-M8-32	M8	12.9	63	32	27.5	4.5	31	45	61
GN 911-M8-35	M8	12.9	63	35	30.5	4.5	31	45	61
GN 911-M8-40	M8	12.9	63	40	35.5	4.5	31	45	61
GN 911-M8-45	M8	12.9	63	45	40.5	4.5	31	45	61
GN 911-M8-50	M8	12.9	63	50	45.5	4.5	31	45	61
GN 911-M8-55	M8	12.9	63	55	50.5	4.5	31	45	62
GN 911-M10-40	M10	16.9	78	40	34.5	5.5	36	55	146
GN 911-M10-50	M10	16.9	78	50	44.5	5.5	36	55	152
GN 911-M10-55	M10	16.9	78	55	49.5	5.5	36	55	155
GN 911-M10-63	M10	16.9	78	63	57.5	5.5	36	55	159
GN 911-M10-70	M10	16.9	78	70	64.5	5.5	36	55	140
GN 911-M10-80	M10	16.9	78	80	74.5	5.5	36	55	200