

# GN 992

## Threaded tube inserts

### •Material

Aluminium, blank.

### Features and applications

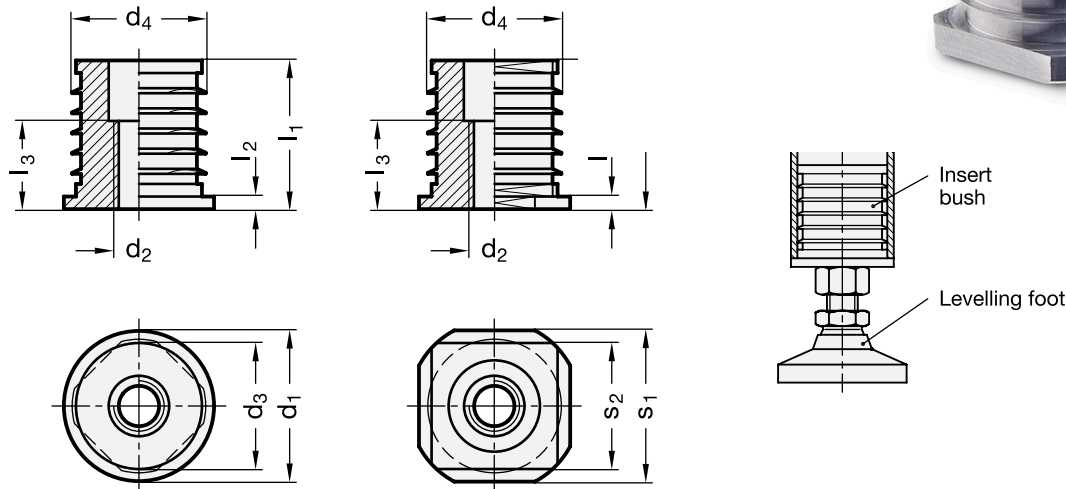
Threaded tube inserts GN 992 serve as end plugs in tubings which offer the additional facility for fitting threaded levelling elements.

Threaded tube inserts can bridge an internal diameter tolerance on both round as well as square tube of  $\pm 0.5$  mm. For this purpose lamellas are available.

Threaded tube inserts are fitted with a mallet.

### Accessories on request

Construction tubings GN 990 (see page 109ff.).



Standard Elements	Main dimensions									$\triangle$
Description	d1	s1	d2	d3	d4	l1	l2	l3 +0.5	s2	g
GN 992-D20-M8	D20	-	M8	16	16.5	29.5	2.5	16	-	10
GN 992-D25-M8	D25	-	M8	21	21.5	33.5	2.5	16	-	22
GN 992-D25-M10	D25	-	M10	21	21.5	33.5	2.5	16	-	22
GN 992-D30-M8	D30	-	M8	26	26.5	33.5	2.5	18	-	34
GN 992-D30-M10	D30	-	M10	26	26.5	33.5	2.5	18	-	45
GN 992-D32-M8	D32	-	M8	28	28.5	33.5	2.5	18	-	50
GN 992-D32-M10	D32	-	M10	28	28.5	33.5	2.5	18	-	50
GN 992-D35-M10	D35	-	M10	31	31.5	37.5	2.5	24	-	55
GN 992-D35-M12	D35	-	M12	31	31.5	37.5	2.5	24	-	55
GN 992-D40-M10	D40	-	M10	34	34.5	41.5	2.5	24	-	80
GN 992-D40-M12	D40	-	M12	34	34.5	41.5	2.5	24	-	80
GN 992-D42-M10	D42	-	M10	36	36.5	41.5	2.5	24	-	90
GN 992-D42-M12	D42	-	M12	36	36.5	41.5	2.5	24	-	90
GN 992-D45-M12	D45	-	M12	39	39.5	45.5	2.5	30	-	110
GN 992-D45-M16	D45	-	M16	39	39.5	45.5	2.5	30	-	110
GN 992-D48-M12	D48	-	M12	42	42.5	45.5	2.5	30	-	130
GN 992-D48-M16	D48	-	M16	42	42.5	45.5	2.5	30	-	130
GN 992-D50-M12	D50	-	M12	44	44.5	45.5	2.5	30	-	145
GN 992-D50-M16	D50	-	M16	44	44.5	45.5	2.5	30	-	145
GN 992-V20-M8	-	V20	M8	-	16.5	29.5	2.5	16	16	11
GN 992-V25-M8	-	V25	M8	-	21.5	33.5	2.5	16	21	22
GN 992-V25-M10	-	V25	M10	-	21.5	33.5	2.5	16	21	22
GN 992-V30-M8	-	V30	M8	-	26.5	33.5	2.5	18	26	52
GN 992-V30-M10	-	V30	M10	-	26.5	33.5	2.5	18	26	52
GN 992-V35-M10	-	V35	M10	-	31.5	37.5	2.5	24	31	60
GN 992-V35-M12	-	V35	M12	-	31.5	37.5	2.5	24	31	60
GN 992-V40-M10	-	V40	M10	-	34.5	41.5	2.5	24	34	80
GN 992-V40-M12	-	V40	M12	-	34.5	41.5	2.5	24	34	90
GN 992-V45-M12	-	V45	M12	-	39.5	45.5	2.5	30	39	140
GN 992-V45-M16	-	V45	M16	-	39.5	45.5	2.5	30	39	165
GN 992-V50-M12	-	V50	M12	-	44.5	45.5	2.5	30	44	200
GN 992-V50-M16	-	V50	M16	-	44.5	45.5	2.5	30	44	215