

GN 991

Tube end plugs

•Material

Polyamide based (PA) technopolymer.

•Colour

Black, matte finish.

Features and applications

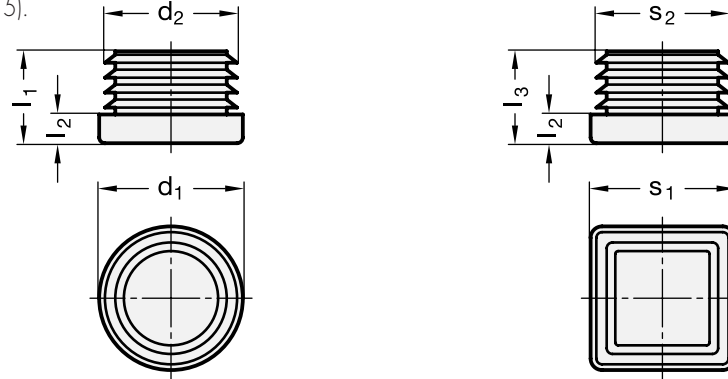
Tube end plugs GN 991 have been designed for sealing tube ends for safety or optical reasons. They are inserted into the tube end either by hand or with a mallet.

Accessories

- Construction tubings GN 990 (see page 109ff.).

- Insert bushes GN 992 (see page 114).

- Insert bushes GN 992.5 (see page 115).



Standard Elements	Main dimensions							△△
Description	d1	s1	d2 ≈	s2 ≈	l1 ≈	l2	l3	g
GN 991-D10	D10	-	9	-	15	3	-	1
GN 991-D12	D12	-	11	-	14	4	-	1
GN 991-D14	D14	-	13	-	13	4	-	1
GN 991-D15	D15	-	14	-	16	4	-	1
GN 991-D16	D16	-	14.5	-	15	5	-	1
GN 991-D18	D18	-	17	-	16	5	-	2
GN 991-D20	D20	-	19	-	16	5	-	2
GN 991-D25	D25	-	23.5	-	16	5	-	3
GN 991-D30	D30	-	29	-	16	5	-	3
GN 991-D32	D32	-	30.5	-	16	5	-	4
GN 991-D35	D35	-	34	-	16	5	-	5
GN 991-D40	D40	-	35	-	17	5	-	6
GN 991-D42	D42	-	38.5	-	17	5	-	6
GN 991-D45	D45	-	44	-	16	5	-	7
GN 991-D48	D48	-	45	-	20	5	-	9
GN 991-D50	D50	-	45.5	-	23	5	-	11
GN 991-D55	D55	-	53	-	19	5	-	11
GN 991-D60	D60	-	58	-	22	4	-	15
GN 991-V10	-	V10	-	9	-	3	14	1
GN 991-V12	-	V12	-	11	-	4	15	1
GN 991-V16	-	V16	-	15	-	4	17	1
GN 991-V20	-	V20	-	19	-	5	17	2
GN 991-V25	-	V25	-	24	-	5	17	4
GN 991-V30	-	V30	-	29	-	5	17	5
GN 991-V35	-	V35	-	33	-	5	17	5
GN 991-V40	-	V40	-	36	-	5	20	9
GN 991-V45	-	V45	-	44	-	5	20	10
GN 991-V50	-	V50	-	46	-	5	24	15