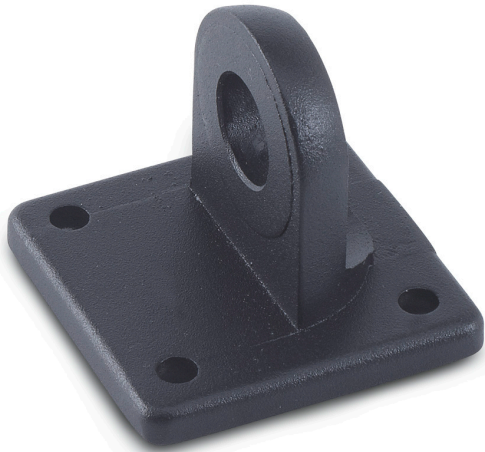


GN 272.4

Sensor holders



• **Material**

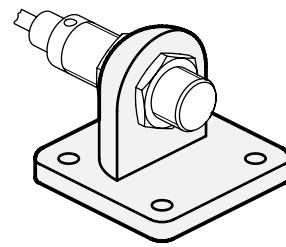
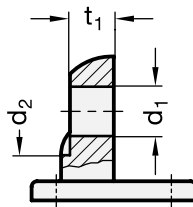
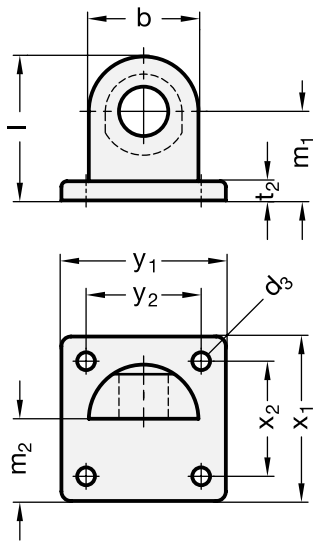
Aluminium.

• **Finish**

RAL 9005 black colour, matte finish, epoxy resin coating.

107

Tube clamp connectors, Linear actuators



Standard Elements	Main dimensions													△△
Description	d1 for sensor	b Swivel width	d2	d3	l	m1	m2	t1	t2	x1	x2	y1	y2	g
GN 272.4-B18-40-SW	B18	40	50	6.5	52.5	32.5	30	10	7	60	42	60	42	110
GN 272.4-B30-40-SW	B30	40	50	6.5	52.5	32.5	30	10	7	60	42	60	42	100