

GN 288

Swivel clamp connector joints

•Material

Aluminium.

•Finish

- Version **SW**: RAL 9005 black colour, matte finish, epoxy resin coating.
- Version **BL**: blank, matte shot-blasted.

•Types

- Type **S**: steppless adjustment.
- Type **T**: adjustment by 15°-division (serration).

•Clamping screws

- Identification no. **1**: with three clamping screws DIN 912 and nuts DIN 985, zinc-plated.
- Identification no. **2**: with three AISI 304 stainless steel-clamping screws DIN 912 and nuts DIN 985.

•Assembly

The standard clamping bolts are socket cap screws DIN 912, supplied assembled. They can be replaced by clamping kits GN 911 (description see table of dimensions).

Features and applications

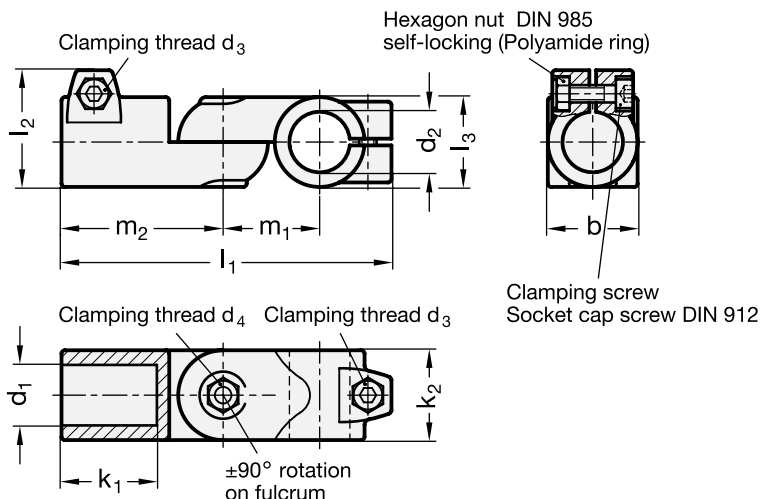
The swivel clamp connector joints GN 288 are an assembly of swivel clamp connectors GN 276 and GN 278.

For the type with a steppless adjustment (Type S) swivel clamp connectors with a centring step are used. Since the latter have an identical swivel width "b", all bores "d1/d2" can be combined as required.

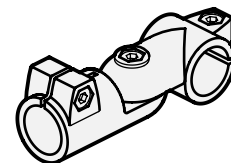
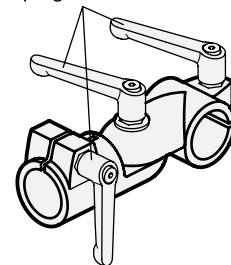
The clamping bore is machined and designed for construction tubings GN 990 or DIN 2391, DIN 2395 and DIN 2462 respectively.

Accessories

- Construction tubings GN 990 (see page 109ff.).
- Clamping kits GN 911 (clamping handles GN 300.1 with distance bushing see page 116).



Adjustable clamping lever GN 911




Standard Elements	Main dimensions												Clamping kits		△		
Description	d1	d2	b Swivel width	d3	d4	k1	k2	l1	l2	l3	m1	m2	for d3		for d4		g
GN 288-B20-B20-S-1-*	B20	B20	40	M8	M8	42.5	40	147	52	40	43	72	GN 911-M8-32	GN 911-M8-35			410
GN 288-B20-B25-S-1-*	B20	B25	40	M8	M8	42.5	40	147	52	40	43	72	GN 911-M8-32	GN 911-M8-35			410
GN 288-B20-B30-S-1-*	B20	B30	40	M8	M8	42.5	40	147	52	40	43	72	GN 911-M8-32	GN 911-M8-35			345
GN 288-B25-B20-S-1-*	B25	B20	40	M8	M8	42.5	40	147	52	40	43	72	GN 911-M8-32	GN 911-M8-35			375
GN 288-B25-B25-S-1-*	B25	B25	40	M8	M8	42.5	40	147	52	40	43	72	GN 911-M8-32	GN 911-M8-35			375
GN 288-B25-B30-S-1-*	B25	B30	40	M8	M8	42.5	40	147	52	40	43	72	GN 911-M8-32	GN 911-M8-35			375
GN 288-B30-B20-S-1-*	B30	B20	40	M8	M8	42.5	40	147	52	40	43	72	GN 911-M8-32	GN 911-M8-35			325
GN 288-B30-B25-S-1-*	B30	B25	40	M8	M8	42.5	40	147	52	40	43	72	GN 911-M8-32	GN 911-M8-35			340
GN 288-B30-B30-S-1-*	B30	B30	40	M8	M8	42.5	40	147	52	40	43	72	GN 911-M8-32	GN 911-M8-35			325
GN 288-B40-B40-S-1-*	B40	B40	65	M10	M10	74	65	230	77.5	65	70	115	GN 911-M10-55	GN 911-M10-63			1500
GN 288-B40-B42-S-1-*	B40	B42	65	M10	M10	74	65	230	77.5	65	70	115	GN 911-M10-55	GN 911-M10-63			1510
GN 288-B40-B45-S-1-*	B40	B45	65	M10	M10	74	65	230	77.5	65	70	115	GN 911-M10-55	GN 911-M10-63			1500
GN 288-B40-B48-S-1-*	B40	B48	65	M10	M10	74	65	230	77.5	65	70	115	GN 911-M10-55	GN 911-M10-63			1500
GN 288-B40-B50-S-1-*	B40	B50	65	M10	M10	74	65	230	77.5	65	70	115	GN 911-M10-55	GN 911-M10-63			1490
GN 288-B42-B40-S-1-*	B42	B40	65	M10	M10	74	65	230	77.5	65	70	115	GN 911-M10-55	GN 911-M10-63			1470
GN 288-B42-B42-S-1-*	B42	B42	65	M10	M10	74	65	230	77.5	65	70	115	GN 911-M10-55	GN 911-M10-63			1465
GN 288-B42-B45-S-1-*	B42	B45	65	M10	M10	74	65	230	77.5	65	70	115	GN 911-M10-55	GN 911-M10-63			1460
GN 288-B42-B48-S-1-*	B42	B48	65	M10	M10	74	65	230	77.5	65	70	115	GN 911-M10-55	GN 911-M10-63			1455
GN 288-B42-B50-S-1-*	B42	B50	65	M10	M10	74	65	230	77.5	65	70	115	GN 911-M10-55	GN 911-M10-63			1450
GN 288-B45-B40-S-1-*	B45	B40	65	M10	M10	74	65	230	77.5	65	70	115	GN 911-M10-55	GN 911-M10-63			1410
GN 288-B45-B42-S-1-*	B45	B42	65	M10	M10	74	65	230	77.5	65	70	115	GN 911-M10-55	GN 911-M10-63			1400
GN 288-B45-B45-S-1-*	B45	B45	65	M10	M10	74	65	230	77.5	65	70	115	GN 911-M10-55	GN 911-M10-63			1400
GN 288-B45-B48-S-1-*	B45	B48	65	M10	M10	74	65	230	77.5	65	70	115	GN 911-M10-55	GN 911-M10-63			1395
GN 288-B45-B50-S-1-*	B45	B50	65	M10	M10	74	65	230	77.5	65	70	115	GN 911-M10-55	GN 911-M10-63			1390
GN 288-B48-B40-S-1-*	B48	B40	65	M10	M10	74	65	230	77.5	65	70	115	GN 911-M10-55	GN 911-M10-63			1270
GN 288-B48-B42-S-1-*	B48	B42	65	M10	M10	74	65	230	77.5	65	70	115	GN 911-M10-55	GN 911-M10-63			1265
GN 288-B48-B45-S-1-*	B48	B45	65	M10	M10	74	65	230	77.5	65	70	115	GN 911-M10-55	GN 911-M10-63			1260
GN 288-B48-B48-S-1-*	B48	B48	65	M10	M10	74	65	230	77.5	65	70	115	GN 911-M10-55	GN 911-M10-63			1300
GN 288-B48-B50-S-1-*	B48	B50	65	M10	M10	74	65	230	77.5	65	70	115	GN 911-M10-55	GN 911-M10-63			1295
GN 288-B50-B40-S-1-*	B50	B40	65	M10	M10	74	65	230	77.5	65	70	115	GN 911-M10-55	GN 911-M10-63			1275
GN 288-B50-B42-S-1-*	B50	B42	65	M10	M10	74	65	230	77.5	65	70	115	GN 911-M10-55	GN 911-M10-63			1270
GN 288-B50-B45-S-1-*	B50	B45	65	M10	M10	74	65	230	77.5	65	70	115	GN 911-M10-55	GN 911-M10-63			1270
GN 288-B50-B48-S-1-*	B50	B48	65	M10	M10	74	65	230	77.5	65	70	115	GN 911-M10-55	GN 911-M10-63			1265
GN 288-B50-B50-S-1-*	B50	B50	65	M10	M10	74	65	230	77.5	65	70	115	GN 911-M10-55	GN 911-M10-63			1275
GN 288-B20-B20-T-1-*	B20	B20	40	M8	M8	42.5	40	147	52	40	43	72	GN 911-M8-32	GN 911-M8-35			420
GN 288-B20-B25-T-1-*	B20	B25	40	M8	M8	42.5	40	147	52	40	43	72	GN 911-M8-32	GN 911-M8-35			410
GN 288-B20-B30-T-1-*	B20	B30	40	M8	M8	42.5	40	147	52	40	43	72	GN 911-M8-32	GN 911-M8-35			420
GN 288-B25-B20-T-1-*	B25	B20	40	M8	M8	42.5	40	147	52	40	43	72	GN 911-M8-32	GN 911-M8-35			380
GN 288-B25-B25-T-1-*	B25	B25	40	M8	M8	42.5	40	147	52	40	43	72	GN 911-M8-32	GN 911-M8-35			380
GN 288-B25-B30-T-1-*	B25	B30	40	M8	M8	42.5	40	147	52	40	43	72	GN 911-M8-32	GN 911-M8-35			375
GN 288-B30-B20-T-1-*	B30	B20	40	M8	M8	42.5	40	147	52	40	43	72	GN 911-M8-32	GN 911-M8-35			325
GN 288-B30-B25-T-1-*	B30	B25	40	M8	M8	42.5	40	147	52	40	43	72	GN 911-M8-32	GN 911-M8-35			340
GN 288-B30-B30-T-1-*	B30	B30	40	M8	M8	42.5	40	147	52	40	43	72	GN 911-M8-32	GN 911-M8-35			330

* Complete the description of the standard item needed by adding the finish of the connector clamps: BL (blank) or SW (black).

Standard Elements	Main dimensions												Clamping kits		g
	Description	d1	d2	b Swivel width	d3	d4	k1	k2	l1	l2	l3	m1	m2	for d3	
GN 288-B40-B40-T-1-*	B40	B40	65	M10	M10	74	65	230	77.5	65	70	115	GN 911-M10-55	GN 911-M10-63	1510
GN 288-B40-B42-T-1-*	B40	B42	65	M10	M10	74	65	230	77.5	65	70	115	GN 911-M10-55	GN 911-M10-63	1510
GN 288-B40-B45-T-1-*	B40	B45	65	M10	M10	74	65	230	77.5	65	70	115	GN 911-M10-55	GN 911-M10-63	1500
GN 288-B40-B48-T-1-*	B40	B48	65	M10	M10	74	65	230	77.5	65	70	115	GN 911-M10-55	GN 911-M10-63	1500
GN 288-B40-B50-T-1-*	B40	B50	65	M10	M10	74	65	230	77.5	65	70	115	GN 911-M10-55	GN 911-M10-63	1490
GN 288-B42-B40-T-1-*	B42	B40	65	M10	M10	74	65	230	77.5	65	70	115	GN 911-M10-55	GN 911-M10-63	1470
GN 288-B42-B42-T-1-*	B42	B42	65	M10	M10	74	65	230	77.5	65	70	115	GN 911-M10-55	GN 911-M10-63	1475
GN 288-B42-B45-T-1-*	B42	B45	65	M10	M10	74	65	230	77.5	65	70	115	GN 911-M10-55	GN 911-M10-63	1460
GN 288-B42-B48-T-1-*	B42	B48	65	M10	M10	74	65	230	77.5	65	70	115	GN 911-M10-55	GN 911-M10-63	1455
GN 288-B42-B50-T-1-*	B42	B50	65	M10	M10	74	65	230	77.5	65	70	115	GN 911-M10-55	GN 911-M10-63	1450
GN 288-B45-B40-T-1-*	B45	B40	65	M10	M10	74	65	230	77.5	65	70	115	GN 911-M10-55	GN 911-M10-63	1410
GN 288-B45-B42-T-1-*	B45	B42	65	M10	M10	74	65	230	77.5	65	70	115	GN 911-M10-55	GN 911-M10-63	1405
GN 288-B45-B45-T-1-*	B45	B45	65	M10	M10	74	65	230	77.5	65	70	115	GN 911-M10-55	GN 911-M10-63	1410
GN 288-B45-B48-T-1-*	B45	B48	65	M10	M10	74	65	230	77.5	65	70	115	GN 911-M10-55	GN 911-M10-63	1395
GN 288-B45-B50-T-1-*	B45	B50	65	M10	M10	74	65	230	77.5	65	70	115	GN 911-M10-55	GN 911-M10-63	1390
GN 288-B48-B40-T-1-*	B48	B40	65	M10	M10	74	65	230	77.5	65	70	115	GN 911-M10-55	GN 911-M10-63	1270
GN 288-B48-B42-T-1-*	B48	B42	65	M10	M10	74	65	230	77.5	65	70	115	GN 911-M10-55	GN 911-M10-63	1265
GN 288-B48-B45-T-1-*	B48	B45	65	M10	M10	74	65	230	77.5	65	70	115	GN 911-M10-55	GN 911-M10-63	1260
GN 288-B48-B48-T-1-*	B48	B48	65	M10	M10	74	65	230	77.5	65	70	115	GN 911-M10-55	GN 911-M10-63	1315
GN 288-B48-B50-T-1-*	B48	B50	65	M10	M10	74	65	230	77.5	65	70	115	GN 911-M10-55	GN 911-M10-63	1295
GN 288-B50-B40-T-1-*	B50	B40	65	M10	M10	74	65	230	77.5	65	70	115	GN 911-M10-55	GN 911-M10-63	1275
GN 288-B50-B42-T-1-*	B50	B42	65	M10	M10	74	65	230	77.5	65	70	115	GN 911-M10-55	GN 911-M10-63	1275
GN 288-B50-B45-T-1-*	B50	B45	65	M10	M10	74	65	230	77.5	65	70	115	GN 911-M10-55	GN 911-M10-63	1270
GN 288-B50-B48-T-1-*	B50	B48	65	M10	M10	74	65	230	77.5	65	70	115	GN 911-M10-55	GN 911-M10-63	1265
GN 288-B50-B50-T-1-*	B50	B50	65	M10	M10	74	65	230	77.5	65	70	115	GN 911-M10-55	GN 911-M10-63	1285
GN 288-B20-B20-S-2-*	B20	B20	40	M8	M8	42.5	40	147	52	40	43	72	GN 911-M8-32	GN 911-M8-35	410
GN 288-B20-B25-S-2-*	B20	B25	40	M8	M8	42.5	40	147	52	40	43	72	GN 911-M8-32	GN 911-M8-35	410
GN 288-B20-B30-S-2-*	B20	B30	40	M8	M8	42.5	40	147	52	40	43	72	GN 911-M8-32	GN 911-M8-35	345
GN 288-B25-B20-S-2-*	B25	B20	40	M8	M8	42.5	40	147	52	40	43	72	GN 911-M8-32	GN 911-M8-35	375
GN 288-B25-B25-S-2-*	B25	B25	40	M8	M8	42.5	40	147	52	40	43	72	GN 911-M8-32	GN 911-M8-35	375
GN 288-B25-B30-S-2-*	B25	B30	40	M8	M8	42.5	40	147	52	40	43	72	GN 911-M8-32	GN 911-M8-35	375
GN 288-B30-B20-S-2-*	B30	B20	40	M8	M8	42.5	40	147	52	40	43	72	GN 911-M8-32	GN 911-M8-35	325
GN 288-B30-B25-S-2-*	B30	B25	40	M8	M8	42.5	40	147	52	40	43	72	GN 911-M8-32	GN 911-M8-35	340
GN 288-B30-B30-S-2-*	B30	B30	40	M8	M8	42.5	40	147	52	40	43	72	GN 911-M8-32	GN 911-M8-35	325
GN 288-B40-B40-S-2-*	B40	B40	65	M10	M10	74	65	230	77.5	65	70	115	GN 911-M10-55	GN 911-M10-63	1500
GN 288-B40-B42-S-2-*	B40	B42	65	M10	M10	74	65	230	77.5	65	70	115	GN 911-M10-55	GN 911-M10-63	1510
GN 288-B40-B45-S-2-*	B40	B45	65	M10	M10	74	65	230	77.5	65	70	115	GN 911-M10-55	GN 911-M10-63	1500
GN 288-B40-B48-S-2-*	B40	B48	65	M10	M10	74	65	230	77.5	65	70	115	GN 911-M10-55	GN 911-M10-63	1500
GN 288-B40-B50-S-2-*	B40	B50	65	M10	M10	74	65	230	77.5	65	70	115	GN 911-M10-55	GN 911-M10-63	1490
GN 288-B42-B40-S-2-*	B42	B40	65	M10	M10	74	65	230	77.5	65	70	115	GN 911-M10-55	GN 911-M10-63	1470
GN 288-B42-B42-S-2-*	B42	B42	65	M10	M10	74	65	230	77.5	65	70	115	GN 911-M10-55	GN 911-M10-63	1465
GN 288-B42-B45-S-2-*	B42	B45	65	M10	M10	74	65	230	77.5	65	70	115	GN 911-M10-55	GN 911-M10-63	1460
GN 288-B42-B48-S-2-*	B42	B48	65	M10	M10	74	65	230	77.5	65	70	115	GN 911-M10-55	GN 911-M10-63	1455
GN 288-B42-B50-S-2-*	B42	B50	65	M10	M10	74	65	230	77.5	65	70	115	GN 911-M10-55	GN 911-M10-63	1450
GN 288-B45-B40-S-2-*	B45	B40	65	M10	M10	74	65	230	77.5	65	70	115	GN 911-M10-55	GN 911-M10-63	1410
GN 288-B45-B42-S-2-*	B45	B42	65	M10	M10	74	65	230	77.5	65	70	115	GN 911-M10-55	GN 911-M10-63	1405
GN 288-B45-B45-S-2-*	B45	B45	65	M10	M10	74	65	230	77.5	65	70	115	GN 911-M10-55	GN 911-M10-63	1400

* Complete the description of the standard item needed by adding the finish of the connector clamps: BL (blank) or SW (black).



Standard Elements	Main dimensions											Clamping kits			
Description	d1	d2	b Swivel width	d3	d4	k1	k2	l1	l2	l3	m1	m2	for d3	for d4	g
GN 288-B45-B48-S-2-*	B45	B48	65	M10	M10	74	65	230	77.5	65	70	115	GN 911-M10-55	GN 911-M10-63	1395
GN 288-B45-B50-S-2-*	B45	B50	65	M10	M10	74	65	230	77.5	65	70	115	GN 911-M10-55	GN 911-M10-63	1390
GN 288-B48-B40-S-2-*	B48	B40	65	M10	M10	74	65	230	77.5	65	70	115	GN 911-M10-55	GN 911-M10-63	1270
GN 288-B48-B42-S-2-*	B48	B42	65	M10	M10	74	65	230	77.5	65	70	115	GN 911-M10-55	GN 911-M10-63	1265
GN 288-B48-B45-S-2-*	B48	B45	65	M10	M10	74	65	230	77.5	65	70	115	GN 911-M10-55	GN 911-M10-63	1260
GN 288-B48-B48-S-2-*	B48	B48	65	M10	M10	74	65	230	77.5	65	70	115	GN 911-M10-55	GN 911-M10-63	1300
GN 288-B48-B50-S-2-*	B48	B50	65	M10	M10	74	65	230	77.5	65	70	115	GN 911-M10-55	GN 911-M10-63	1295
GN 288-B50-B40-S-2-*	B50	B40	65	M10	M10	74	65	230	77.5	65	70	115	GN 911-M10-55	GN 911-M10-63	1275
GN 288-B50-B42-S-2-*	B50	B42	65	M10	M10	74	65	230	77.5	65	70	115	GN 911-M10-55	GN 911-M10-63	1275
GN 288-B50-B45-S-2-*	B50	B45	65	M10	M10	74	65	230	77.5	65	70	115	GN 911-M10-55	GN 911-M10-63	1270
GN 288-B50-B48-S-2-*	B50	B48	65	M10	M10	74	65	230	77.5	65	70	115	GN 911-M10-55	GN 911-M10-63	1265
GN 288-B50-B50-S-2-*	B50	B50	65	M10	M10	74	65	230	77.5	65	70	115	GN 911-M10-55	GN 911-M10-63	1275
GN 288-B20-B20-T-2-*	B20	B20	40	M8	M8	42.5	40	147	52	40	43	72	GN 911-M8-32	GN 911-M8-35	420
GN 288-B20-B25-T-2-*	B20	B25	40	M8	M8	42.5	40	147	52	40	43	72	GN 911-M8-32	GN 911-M8-35	410
GN 288-B20-B30-T-2-*	B20	B30	40	M8	M8	42.5	40	147	52	40	43	72	GN 911-M8-32	GN 911-M8-35	420
GN 288-B25-B20-T-2-*	B25	B20	40	M8	M8	42.5	40	147	52	40	43	72	GN 911-M8-32	GN 911-M8-35	380
GN 288-B25-B25-T-2-*	B25	B25	40	M8	M8	42.5	40	147	52	40	43	72	GN 911-M8-32	GN 911-M8-35	380
GN 288-B25-B30-T-2-*	B25	B30	40	M8	M8	42.5	40	147	52	40	43	72	GN 911-M8-32	GN 911-M8-35	380
GN 288-B30-B20-T-2-*	B30	B20	40	M8	M8	42.5	40	147	52	40	43	72	GN 911-M8-32	GN 911-M8-35	325
GN 288-B30-B25-T-2-*	B30	B25	40	M8	M8	42.5	40	147	52	40	43	72	GN 911-M8-32	GN 911-M8-35	340
GN 288-B30-B30-T-2-*	B30	B30	40	M8	M8	42.5	40	147	52	40	43	72	GN 911-M8-32	GN 911-M8-35	330
GN 288-B40-B40-T-2-*	B40	B40	65	M10	M10	74	65	230	77.5	65	70	115	GN 911-M10-55	GN 911-M10-63	1510
GN 288-B40-B42-T-2-*	B40	B42	65	M10	M10	74	65	230	77.5	65	70	115	GN 911-M10-55	GN 911-M10-63	1510
GN 288-B40-B45-T-2-*	B40	B45	65	M10	M10	74	65	230	77.5	65	70	115	GN 911-M10-55	GN 911-M10-63	1500
GN 288-B40-B48-T-2-*	B40	B48	65	M10	M10	74	65	230	77.5	65	70	115	GN 911-M10-55	GN 911-M10-63	1500
GN 288-B40-B50-T-2-*	B40	B50	65	M10	M10	74	65	230	77.5	65	70	115	GN 911-M10-55	GN 911-M10-63	1490
GN 288-B42-B40-T-2-*	B42	B40	65	M10	M10	74	65	230	77.5	65	70	115	GN 911-M10-55	GN 911-M10-63	1470
GN 288-B42-B42-T-2-*	B42	B42	65	M10	M10	74	65	230	77.5	65	70	115	GN 911-M10-55	GN 911-M10-63	1475
GN 288-B42-B45-T-2-*	B42	B45	65	M10	M10	74	65	230	77.5	65	70	115	GN 911-M10-55	GN 911-M10-63	1460
GN 288-B42-B48-T-2-*	B42	B48	65	M10	M10	74	65	230	77.5	65	70	115	GN 911-M10-55	GN 911-M10-63	1455
GN 288-B42-B50-T-2-*	B42	B50	65	M10	M10	74	65	230	77.5	65	70	115	GN 911-M10-55	GN 911-M10-63	1450
GN 288-B45-B40-T-2-*	B45	B40	65	M10	M10	74	65	230	77.5	65	70	115	GN 911-M10-55	GN 911-M10-63	1410
GN 288-B45-B42-T-2-*	B45	B42	65	M10	M10	74	65	230	77.5	65	70	115	GN 911-M10-55	GN 911-M10-63	1405
GN 288-B45-B45-T-2-*	B45	B45	65	M10	M10	74	65	230	77.5	65	70	115	GN 911-M10-55	GN 911-M10-63	1400
GN 288-B45-B48-T-2-*	B45	B48	65	M10	M10	74	65	230	77.5	65	70	115	GN 911-M10-55	GN 911-M10-63	1395
GN 288-B45-B50-T-2-*	B45	B50	65	M10	M10	74	65	230	77.5	65	70	115	GN 911-M10-55	GN 911-M10-63	1390
GN 288-B48-B40-T-2-*	B48	B40	65	M10	M10	74	65	230	77.5	65	70	115	GN 911-M10-55	GN 911-M10-63	1270
GN 288-B48-B42-T-2-*	B48	B42	65	M10	M10	74	65	230	77.5	65	70	115	GN 911-M10-55	GN 911-M10-63	1265
GN 288-B48-B45-T-2-*	B48	B45	65	M10	M10	74	65	230	77.5	65	70	115	GN 911-M10-55	GN 911-M10-63	1260
GN 288-B48-B48-T-2-*	B48	B48	65	M10	M10	74	65	230	77.5	65	70	115	GN 911-M10-55	GN 911-M10-63	1315
GN 288-B48-B50-T-2-*	B48	B50	65	M10	M10	74	65	230	77.5	65	70	115	GN 911-M10-55	GN 911-M10-63	1295
GN 288-B50-B40-T-2-*	B50	B40	65	M10	M10	74	65	230	77.5	65	70	115	GN 911-M10-55	GN 911-M10-63	1275
GN 288-B50-B42-T-2-*	B50	B42	65	M10	M10	74	65	230	77.5	65	70	115	GN 911-M10-55	GN 911-M10-63	1275
GN 288-B50-B45-T-2-*	B50	B45	65	M10	M10	74	65	230	77.5	65	70	115	GN 911-M10-55	GN 911-M10-63	1270
GN 288-B50-B48-T-2-*	B50	B48	65	M10	M10	74	65	230	77.5	65	70	115	GN 911-M10-55	GN 911-M10-63	1265
GN 288-B50-B50-T-2-*	B50	B50	65	M10	M10	74	65	230	77.5	65	70	115	GN 911-M10-55	GN 911-M10-63	1285

* Complete the description of the standard item needed by adding the finish of the connector clamps: BL (blank) or SW (black).