

GN 287

Swivel clamp connector joints

•Material

Aluminium.

•Finish

- Version **SW**: RAL 9005 black colour, matte finish, epoxy resin coating.
- Version **BL**: blank, matte shot-blasted.

•Clamping screws

- Identification no. **1**: with three clamping screws DIN 912 and nuts DIN 985, zinc-plated.
- Identification no. **2**: with three AISI 304 stainless steel-clamping screws DIN 912 and nuts DIN 985.

•Assembly

The standard clamping bolts are socket cap screws DIN 912, supplied assembled. They can be replaced by clamping kits GN 911 (description see table of dimensions).

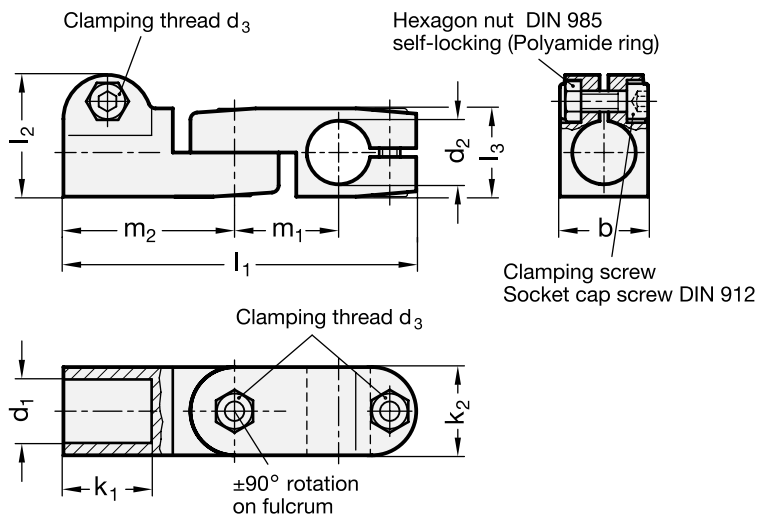
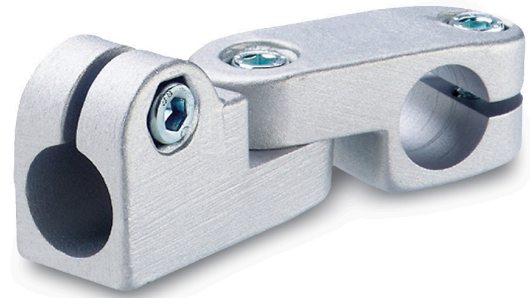
Features and applications

The swivel clamp connector joints GN 287 are an assembly of the swivel clamp connectors GN 275 and GN 277. Since the swivel clamp connectors have an identical swivel width "b", all bores "d1/d2" can be combined as required.

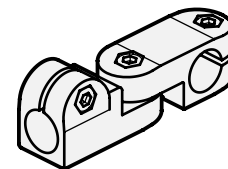
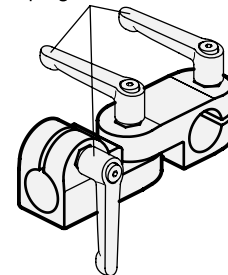
The clamping bore is machined and designed for construction tubings GN 990 or DIN 2391, DIN 2395 and DIN 2462 respectively.

Accessories

- Construction tubings GN 990 (see page 109ff.).
- Clamping kits GN 911 (clamping handles GN 300.1 with distance bushing) see page 116.



Adjustable clamping lever GN 911



Standard Elements	Main dimensions											Clamping kits for d3	g
Description	d1	d2	b Swivel width	d3	k1	k2	l1	l2	l3	m1	m2		
GN 287-B12-B12-1.*	B12	B12	25	M6	25	25	100	34.5	25	29.5	48.5	GN 911-M6-22	145
GN 287-B12-B14-1.*	B12	B14	25	M6	25	25	100	34.5	25	29.5	48.5	GN 911-M6-22	145
GN 287-B12-B16-1.*	B12	B16	25	M6	25	25	100	34.5	25	29.5	48.5	GN 911-M6-22	145
GN 287-B12-B18-1.*	B12	B18	25	M6	25	25	100	34.5	25	29.5	48.5	GN 911-M6-22	145
GN 287-B14-B12-1.*	B14	B12	25	M6	25	25	100	34.5	25	29.5	48.5	GN 911-M6-22	140
GN 287-B14-B14-1.*	B14	B14	25	M6	25	25	100	34.5	25	29.5	48.5	GN 911-M6-22	140
GN 287-B14-B16-1.*	B14	B16	25	M6	25	25	100	34.5	25	29.5	48.5	GN 911-M6-22	140
GN 287-B14-B18-1.*	B14	B18	25	M6	25	25	100	34.5	25	29.5	48.5	GN 911-M6-22	140
GN 287-B16-B12-1.*	B16	B12	25	M6	25	25	100	34.5	25	29.5	48.5	GN 911-M6-22	130
GN 287-B16-B14-1.*	B16	B14	25	M6	25	25	100	34.5	25	29.5	48.5	GN 911-M6-22	130
GN 287-B16-B16-1.*	B16	B16	25	M6	25	25	100	34.5	25	29.5	48.5	GN 911-M6-22	130
GN 287-B16-B18-1.*	B16	B18	25	M6	25	25	100	34.5	25	29.5	48.5	GN 911-M6-22	130
GN 287-B18-B12-1.*	B18	B12	25	M6	25	25	100	34.5	25	29.5	48.5	GN 911-M6-22	130
GN 287-B18-B14-1.*	B18	B14	25	M6	25	25	100	34.5	25	29.5	48.5	GN 911-M6-22	130
GN 287-B18-B16-1.*	B18	B16	25	M6	25	25	100	34.5	25	29.5	48.5	GN 911-M6-22	130
GN 287-B18-B18-1.*	B18	B18	25	M6	25	25	100	34.5	25	29.5	48.5	GN 911-M6-22	130
GN 287-B12-B12-2.*	B12	B12	25	M6	25	25	100	34.5	25	29.5	48.5	GN 911-M6-22	145
GN 287-B12-B14-2.*	B12	B14	25	M6	25	25	100	34.5	25	29.5	48.5	GN 911-M6-22	145
GN 287-B12-B16-2.*	B12	B16	25	M6	25	25	100	34.5	25	29.5	48.5	GN 911-M6-22	145
GN 287-B12-B18-2.*	B12	B18	25	M6	25	25	100	34.5	25	29.5	48.5	GN 911-M6-22	145
GN 287-B14-B12-2.*	B14	B12	25	M6	25	25	100	34.5	25	29.5	48.5	GN 911-M6-22	130
GN 287-B14-B14-2.*	B14	B14	25	M6	25	25	100	34.5	25	29.5	48.5	GN 911-M6-22	130
GN 287-B14-B16-2.*	B14	B16	25	M6	25	25	100	34.5	25	29.5	48.5	GN 911-M6-22	130
GN 287-B14-B18-2.*	B14	B18	25	M6	25	25	100	34.5	25	29.5	48.5	GN 911-M6-22	130
GN 287-B16-B12-2.*	B16	B12	25	M6	25	25	100	34.5	25	29.5	48.5	GN 911-M6-22	130
GN 287-B16-B14-2.*	B16	B14	25	M6	25	25	100	34.5	25	29.5	48.5	GN 911-M6-22	130
GN 287-B16-B16-2.*	B16	B16	25	M6	25	25	100	34.5	25	29.5	48.5	GN 911-M6-22	130
GN 287-B16-B18-2.*	B16	B18	25	M6	25	25	100	34.5	25	29.5	48.5	GN 911-M6-22	130
GN 287-B18-B12-2.*	B18	B12	25	M6	25	25	100	34.5	25	29.5	48.5	GN 911-M6-22	130
GN 287-B18-B14-2.*	B18	B14	25	M6	25	25	100	34.5	25	29.5	48.5	GN 911-M6-22	130
GN 287-B18-B16-2.*	B18	B16	25	M6	25	25	100	34.5	25	29.5	48.5	GN 911-M6-22	130
GN 287-B18-B18-2.*	B18	B18	25	M6	25	25	100	34.5	25	29.5	48.5	GN 911-M6-22	130

* Complete the description of the standard item needed by adding the finish of the connector clamps: BL (blank) or SW (black).