

GN 286

Swivel clamp connector joints

•Material

Aluminium.

•Finish

- Version **SW**: RAL 9005 black colour, matte finish, epoxy resin coating.
- Version **BL**: blank, matte shot-blasted.

•Types

- Type **S**: stepless adjustment.
- Type **T**: adjustment by 15°-division (serration).

•Clamping screws

- Identification no. **1**: with three clamping screws DIN 912 and nuts DIN 985, zinc-plated.
- Identification no. **2**: with three AISI 304 stainless steel-clamping screws DIN 912 and nuts DIN 985.

•Assembly

The standard clamping bolts are socket cap screws DIN 912, supplied assembled. They can be replaced by clamping kits GN 911 (description see table of dimensions).

Features and applications

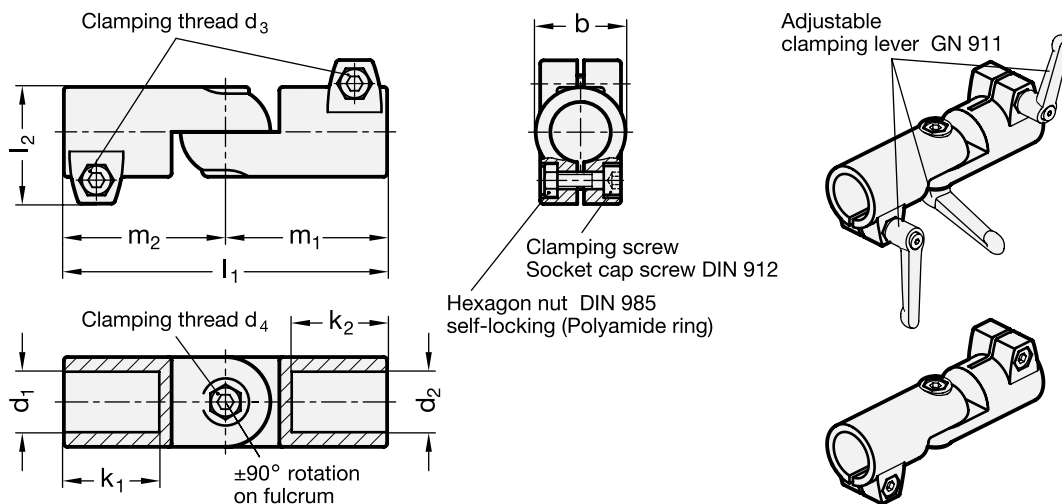
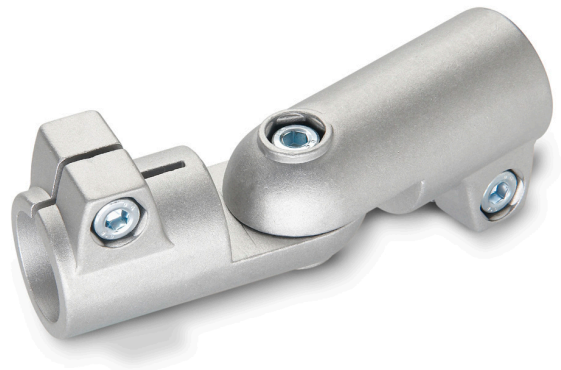
The swivel clamp connector joints GN 286 are an assembly of two swivel clamp connectors GN 276.

For the type with a stepless adjustment (Type S) swivel clamp connectors with a centring step are used. Since the latter have an identical swivel width "b", all bores "d1/d2" can be combined as required.

The clamping bore is machined and designed for construction tubings GN 990 or DIN 2391, DIN 2395 and DIN 2462 respectively.

Accessories

- Construction tubings GN 990 (see page 109ff.).
- Clamping kits GN 911 (clamping handles GN 300.1 with distance bushing) see page 116.



Standard Elements	Main dimensions											Clamping kits		g
	Description	d1	d2	b Swivel width	d3	d4	k1	k2	l1	l2	m1	m2	for d3	
GN 286-B20-B20-S-1-*	B20	B20	40	M8	M8	42.5	42.5	144	52	72	72	GN 911-M8-32	GN 911-M8-35	430
GN 286-B20-B25-S-1-*	B20	B25	40	M8	M8	42.5	42.5	144	52	72	72	GN 911-M8-32	GN 911-M8-35	430
GN 286-B20-B30-S-1-*	B20	B30	40	M8	M8	42.5	42.5	144	52	72	72	GN 911-M8-32	GN 911-M8-35	435
GN 286-B25-B20-S-1-*	B25	B20	40	M8	M8	42.5	42.5	144	52	72	72	GN 911-M8-32	GN 911-M8-35	435
GN 286-B25-B25-S-1-*	B25	B25	40	M8	M8	42.5	42.5	144	52	72	72	GN 911-M8-32	GN 911-M8-35	390
GN 286-B25-B30-S-1-*	B25	B30	40	M8	M8	42.5	42.5	144	52	72	72	GN 911-M8-32	GN 911-M8-35	430
GN 286-B30-B20-S-1-*	B30	B20	40	M8	M8	42.5	42.5	144	52	72	72	GN 911-M8-32	GN 911-M8-35	430
GN 286-B30-B25-S-1-*	B30	B25	40	M8	M8	42.5	42.5	144	52	72	72	GN 911-M8-32	GN 911-M8-35	430
GN 286-B30-B30-S-1-*	B30	B30	40	M8	M8	42.5	42.5	144	52	72	72	GN 911-M8-32	GN 911-M8-35	340
GN 286-B40-B40-S-1-*	B40	B40	65	M10	M10	74	74	230	77.5	115	115	GN 911-M10-55	GN 911-M10-63	1575
GN 286-B40-B42-S-1-*	B40	B42	65	M10	M10	74	74	230	77.5	115	115	GN 911-M10-55	GN 911-M10-63	1558
GN 286-B40-B45-S-1-*	B40	B45	65	M10	M10	74	74	230	77.5	115	115	GN 911-M10-55	GN 911-M10-63	1355
GN 286-B40-B48-S-1-*	B40	B48	65	M10	M10	74	74	230	77.5	115	115	GN 911-M10-55	GN 911-M10-63	1355
GN 286-B40-B50-S-1-*	B40	B50	65	M10	M10	74	74	230	77.5	115	115	GN 911-M10-55	GN 911-M10-63	1355
GN 286-B42-B40-S-1-*	B42	B40	65	M10	M10	74	74	230	77.5	115	115	GN 911-M10-55	GN 911-M10-63	1560
GN 286-B42-B42-S-1-*	B42	B42	65	M10	M10	74	74	230	77.5	115	115	GN 911-M10-55	GN 911-M10-63	1540
GN 286-B42-B45-S-1-*	B42	B45	65	M10	M10	74	74	230	77.5	115	115	GN 911-M10-55	GN 911-M10-63	1500
GN 286-B42-B48-S-1-*	B42	B48	65	M10	M10	74	74	230	77.5	115	115	GN 911-M10-55	GN 911-M10-63	1460
GN 286-B42-B50-S-1-*	B42	B50	65	M10	M10	74	74	230	77.5	115	115	GN 911-M10-55	GN 911-M10-63	1435
GN 286-B45-B40-S-1-*	B45	B40	65	M10	M10	74	74	230	77.5	115	115	GN 911-M10-55	GN 911-M10-63	1520
GN 286-B45-B42-S-1-*	B45	B42	65	M10	M10	74	74	230	77.5	115	115	GN 911-M10-55	GN 911-M10-63	1500
GN 286-B45-B45-S-1-*	B45	B45	65	M10	M10	74	74	230	77.5	115	115	GN 911-M10-55	GN 911-M10-63	1460
GN 286-B45-B48-S-1-*	B45	B48	65	M10	M10	74	74	230	77.5	115	115	GN 911-M10-55	GN 911-M10-63	1420
GN 286-B45-B50-S-1-*	B45	B50	65	M10	M10	74	74	230	77.5	115	115	GN 911-M10-55	GN 911-M10-63	1395
GN 286-B48-B40-S-1-*	B48	B40	65	M10	M10	74	74	230	77.5	115	115	GN 911-M10-55	GN 911-M10-63	1510
GN 286-B48-B42-S-1-*	B48	B42	65	M10	M10	74	74	230	77.5	115	115	GN 911-M10-55	GN 911-M10-63	1510
GN 286-B48-B45-S-1-*	B48	B45	65	M10	M10	74	74	230	77.5	115	115	GN 911-M10-55	GN 911-M10-63	1510
GN 286-B48-B48-S-1-*	B48	B48	65	M10	M10	74	74	230	77.5	115	115	GN 911-M10-55	GN 911-M10-63	1375
GN 286-B48-B50-S-1-*	B48	B50	65	M10	M10	74	74	230	77.5	115	115	GN 911-M10-55	GN 911-M10-63	1370
GN 286-B50-B40-S-1-*	B50	B40	65	M10	M10	74	74	230	77.5	115	115	GN 911-M10-55	GN 911-M10-63	1510
GN 286-B50-B42-S-1-*	B50	B42	65	M10	M10	74	74	230	77.5	115	115	GN 911-M10-55	GN 911-M10-63	1510
GN 286-B50-B45-S-1-*	B50	B45	65	M10	M10	74	74	230	77.5	115	115	GN 911-M10-55	GN 911-M10-63	1510
GN 286-B50-B48-S-1-*	B50	B48	65	M10	M10	74	74	230	77.5	115	115	GN 911-M10-55	GN 911-M10-63	1510
GN 286-B50-B50-S-1-*	B50	B50	65	M10	M10	74	74	230	77.5	115	115	GN 911-M10-55	GN 911-M10-63	1390
GN 286-B20-B20-T-1-*	B20	B20	40	M8	M8	42.5	42.5	144	52	72	72	GN 911-M8-32	GN 911-M8-35	435
GN 286-B20-B25-T-1-*	B20	B25	40	M8	M8	42.5	42.5	144	52	72	72	GN 911-M8-32	GN 911-M8-35	435
GN 286-B20-B30-T-1-*	B20	B30	40	M8	M8	42.5	42.5	144	52	72	72	GN 911-M8-32	GN 911-M8-35	435
GN 286-B25-B20-T-1-*	B25	B20	40	M8	M8	42.5	42.5	144	52	72	72	GN 911-M8-32	GN 911-M8-35	430
GN 286-B25-B25-T-1-*	B25	B25	40	M8	M8	42.5	42.5	144	52	72	72	GN 911-M8-32	GN 911-M8-35	400
GN 286-B25-B30-T-1-*	B25	B30	40	M8	M8	42.5	42.5	144	52	72	72	GN 911-M8-32	GN 911-M8-35	410
GN 286-B30-B20-T-1-*	B30	B20	40	M8	M8	42.5	42.5	144	52	72	72	GN 911-M8-32	GN 911-M8-35	430
GN 286-B30-B25-T-1-*	B30	B25	40	M8	M8	42.5	42.5	144	52	72	72	GN 911-M8-32	GN 911-M8-35	430
GN 286-B30-B30-T-1-*	B30	B30	40	M8	M8	42.5	42.5	144	52	72	72	GN 911-M8-32	GN 911-M8-35	350
GN 286-B40-B40-T-1-*	B40	B40	65	M10	M10	74	74	230	77.5	115	115	GN 911-M10-55	GN 911-M10-63	1590

* Complete the description of the standard item needed by adding the finish of the connector clamps: BL (blank) or SW (black).

Standard Elements	Main dimensions											Clamping kits		\triangle
Description	d1	d2	b Swivel width	d3	d4	k1	k2	l1	l2	m1	m2	for d3	for d4	g
GN 286-B40-B42-T-1-*	B40	B42	65	M10	M10	74	74	230	77.5	115	115	GN 911-M10-55	GN 911-M10-63	1558
GN 286-B40-B45-T-1-*	B40	B45	65	M10	M10	74	74	230	77.5	115	115	GN 911-M10-55	GN 911-M10-63	1558
GN 286-B40-B48-T-1-*	B40	B48	65	M10	M10	74	74	230	77.5	115	115	GN 911-M10-55	GN 911-M10-63	1558
GN 286-B40-B50-T-1-*	B40	B50	65	M10	M10	74	74	230	77.5	115	115	GN 911-M10-55	GN 911-M10-63	1558
GN 286-B42-B40-T-1-*	B42	B40	65	M10	M10	74	74	230	77.5	115	115	GN 911-M10-55	GN 911-M10-63	1570
GN 286-B42-B42-T-1-*	B42	B42	65	M10	M10	74	74	230	77.5	115	115	GN 911-M10-55	GN 911-M10-63	1555
GN 286-B42-B45-T-1-*	B42	B45	65	M10	M10	74	74	230	77.5	115	115	GN 911-M10-55	GN 911-M10-63	1520
GN 286-B42-B48-T-1-*	B42	B48	65	M10	M10	74	74	230	77.5	115	115	GN 911-M10-55	GN 911-M10-63	1475
GN 286-B42-B50-T-1-*	B42	B50	65	M10	M10	74	74	230	77.5	115	115	GN 911-M10-55	GN 911-M10-63	1460
GN 286-B45-B40-T-1-*	B45	B40	65	M10	M10	74	74	230	77.5	115	115	GN 911-M10-55	GN 911-M10-63	1530
GN 286-B45-B42-T-1-*	B45	B42	65	M10	M10	74	74	230	77.5	115	115	GN 911-M10-55	GN 911-M10-63	1515
GN 286-B45-B45-T-1-*	B45	B45	65	M10	M10	74	74	230	77.5	115	115	GN 911-M10-55	GN 911-M10-63	1475
GN 286-B45-B48-T-1-*	B45	B48	65	M10	M10	74	74	230	77.5	115	115	GN 911-M10-55	GN 911-M10-63	1430
GN 286-B45-B50-T-1-*	B45	B50	65	M10	M10	74	74	230	77.5	115	115	GN 911-M10-55	GN 911-M10-63	1420
GN 286-B48-B40-T-1-*	B48	B40	65	M10	M10	74	74	230	77.5	115	115	GN 911-M10-55	GN 911-M10-63	1510
GN 286-B48-B42-T-1-*	B48	B42	65	M10	M10	74	74	230	77.5	115	115	GN 911-M10-55	GN 911-M10-63	1510
GN 286-B48-B45-T-1-*	B48	B45	65	M10	M10	74	74	230	77.5	115	115	GN 911-M10-55	GN 911-M10-63	1510
GN 286-B48-B48-T-1-*	B48	B48	65	M10	M10	74	74	230	77.5	115	115	GN 911-M10-55	GN 911-M10-63	1390
GN 286-B48-B50-T-1-*	B48	B50	65	M10	M10	74	74	230	77.5	115	115	GN 911-M10-55	GN 911-M10-63	1510
GN 286-B50-B40-T-1-*	B50	B40	65	M10	M10	74	74	230	77.5	115	115	GN 911-M10-55	GN 911-M10-63	1510
GN 286-B50-B42-T-1-*	B50	B42	65	M10	M10	74	74	230	77.5	115	115	GN 911-M10-55	GN 911-M10-63	1510
GN 286-B50-B45-T-1-*	B50	B45	65	M10	M10	74	74	230	77.5	115	115	GN 911-M10-55	GN 911-M10-63	1510
GN 286-B50-B48-T-1-*	B50	B48	65	M10	M10	74	74	230	77.5	115	115	GN 911-M10-55	GN 911-M10-63	1510
GN 286-B50-B50-T-1-*	B50	B50	65	M10	M10	74	74	230	77.5	115	115	GN 911-M10-55	GN 911-M10-63	1365
GN 286-B20-B20-S-2-*	B20	B20	40	M8	M8	42.5	42.5	144	52	72	72	GN 911-M8-32	GN 911-M8-35	430
GN 286-B20-B25-S-2-*	B20	B25	40	M8	M8	42.5	42.5	144	52	72	72	GN 911-M8-32	GN 911-M8-35	430
GN 286-B20-B30-S-2-*	B20	B30	40	M8	M8	42.5	42.5	144	52	72	72	GN 911-M8-32	GN 911-M8-35	435
GN 286-B25-B20-S-2-*	B25	B20	40	M8	M8	42.5	42.5	144	52	72	72	GN 911-M8-32	GN 911-M8-35	430
GN 286-B25-B25-S-2-*	B25	B25	40	M8	M8	42.5	42.5	144	52	72	72	GN 911-M8-32	GN 911-M8-35	390
GN 286-B25-B30-S-2-*	B25	B30	40	M8	M8	42.5	42.5	144	52	72	72	GN 911-M8-32	GN 911-M8-35	430
GN 286-B30-B20-S-2-*	B30	B20	40	M8	M8	42.5	42.5	144	52	72	72	GN 911-M8-32	GN 911-M8-35	430
GN 286-B30-B25-S-2-*	B30	B25	40	M8	M8	42.5	42.5	144	52	72	72	GN 911-M8-32	GN 911-M8-35	430
GN 286-B30-B30-S-2-*	B30	B30	40	M8	M8	42.5	42.5	144	52	72	72	GN 911-M8-32	GN 911-M8-35	340
GN 286-B40-B40-S-2-*	B40	B40	65	M10	M10	74	74	230	77.5	115	115	GN 911-M10-55	GN 911-M10-63	1575
GN 286-B40-B42-S-2-*	B40	B42	65	M10	M10	74	74	230	77.5	115	115	GN 911-M10-55	GN 911-M10-63	1558
GN 286-B40-B45-S-2-*	B40	B45	65	M10	M10	74	74	230	77.5	115	115	GN 911-M10-55	GN 911-M10-63	1355
GN 286-B40-B48-S-2-*	B40	B48	65	M10	M10	74	74	230	77.5	115	115	GN 911-M10-55	GN 911-M10-63	1355
GN 286-B40-B50-S-2-*	B40	B50	65	M10	M10	74	74	230	77.5	115	115	GN 911-M10-55	GN 911-M10-63	1355
GN 286-B42-B40-S-2-*	B42	B40	65	M10	M10	74	74	230	77.5	115	115	GN 911-M10-55	GN 911-M10-63	1560
GN 286-B42-B42-S-2-*	B42	B42	65	M10	M10	74	74	230	77.5	115	115	GN 911-M10-55	GN 911-M10-63	1575
GN 286-B42-B45-S-2-*	B42	B45	65	M10	M10	74	74	230	77.5	115	115	GN 911-M10-55	GN 911-M10-63	1500
GN 286-B42-B48-S-2-*	B42	B48	65	M10	M10	74	74	230	77.5	115	115	GN 911-M10-55	GN 911-M10-63	1460
GN 286-B42-B50-S-2-*	B42	B50	65	M10	M10	74	74	230	77.5	115	115	GN 911-M10-55	GN 911-M10-63	1435
GN 286-B45-B40-S-2-*	B45	B40	65	M10	M10	74	74	230	77.5	115	115	GN 911-M10-55	GN 911-M10-63	1500
GN 286-B45-B42-S-2-*	B45	B42	65	M10	M10	74	74	230	77.5	115	115	GN 911-M10-55	GN 911-M10-63	1500
GN 286-B45-B45-S-2-*	B45	B45	65	M10	M10	74	74	230	77.5	115	115	GN 911-M10-55	GN 911-M10-63	1575

* Complete the description of the standard item needed by adding the finish of the connector clamps: BL (blank) or SW (black).

Standard Elements	Main dimensions											Clamping kits		g
	Description	d1	d2	b Swivel width	d3	d4	k1	k2	l1	l2	m1	m2	for d3	
GN 286-B45-B48-S-2-*	B45	B48	65	M10	M10	74	74	230	77.5	115	115	GN 911-M10-55	GN 911-M10-63	1420
GN 286-B45-B50-S-2-*	B45	B50	65	M10	M10	74	74	230	77.5	115	115	GN 911-M10-55	GN 911-M10-63	1395
GN 286-B48-B40-S-2-*	B48	B40	65	M10	M10	74	74	230	77.5	115	115	GN 911-M10-55	GN 911-M10-63	1510
GN 286-B48-B42-S-2-*	B48	B42	65	M10	M10	74	74	230	77.5	115	115	GN 911-M10-55	GN 911-M10-63	1510
GN 286-B48-B45-S-2-*	B48	B45	65	M10	M10	74	74	230	77.5	115	115	GN 911-M10-55	GN 911-M10-63	1510
GN 286-B48-B48-S-2-*	B48	B48	65	M10	M10	74	74	230	77.5	115	115	GN 911-M10-55	GN 911-M10-63	1575
GN 286-B48-B50-S-2-*	B48	B50	65	M10	M10	74	74	230	77.5	115	115	GN 911-M10-55	GN 911-M10-63	1370
GN 286-B50-B40-S-2-*	B50	B40	65	M10	M10	74	74	230	77.5	115	115	GN 911-M10-55	GN 911-M10-63	1510
GN 286-B50-B42-S-2-*	B50	B42	65	M10	M10	74	74	230	77.5	115	115	GN 911-M10-55	GN 911-M10-63	1510
GN 286-B50-B45-S-2-*	B50	B45	65	M10	M10	74	74	230	77.5	115	115	GN 911-M10-55	GN 911-M10-63	1510
GN 286-B50-B48-S-2-*	B50	B48	65	M10	M10	74	74	230	77.5	115	115	GN 911-M10-55	GN 911-M10-63	1510
GN 286-B50-B50-S-2-*	B50	B50	65	M10	M10	74	74	230	77.5	115	115	GN 911-M10-55	GN 911-M10-63	1575
GN 286-B20-B20-T-2-*	B20	B20	40	M8	M8	42.5	42.5	144	52	72	72	GN 911-M8-32	GN 911-M8-35	400
GN 286-B20-B25-T-2-*	B20	B25	40	M8	M8	42.5	42.5	144	52	72	72	GN 911-M8-32	GN 911-M8-35	435
GN 286-B20-B30-T-2-*	B20	B30	40	M8	M8	42.5	42.5	144	52	72	72	GN 911-M8-32	GN 911-M8-35	435
GN 286-B25-B20-T-2-*	B25	B20	40	M8	M8	42.5	42.5	144	52	72	72	GN 911-M8-32	GN 911-M8-35	430
GN 286-B25-B25-T-2-*	B25	B25	40	M8	M8	42.5	42.5	144	52	72	72	GN 911-M8-32	GN 911-M8-35	400
GN 286-B25-B30-T-2-*	B25	B30	40	M8	M8	42.5	42.5	144	52	72	72	GN 911-M8-32	GN 911-M8-35	430
GN 286-B30-B20-T-2-*	B30	B20	40	M8	M8	42.5	42.5	144	52	72	72	GN 911-M8-32	GN 911-M8-35	430
GN 286-B30-B25-T-2-*	B30	B25	40	M8	M8	42.5	42.5	144	52	72	72	GN 911-M8-32	GN 911-M8-35	430
GN 286-B30-B30-T-2-*	B30	B30	40	M8	M8	42.5	42.5	144	52	72	72	GN 911-M8-32	GN 911-M8-35	350
GN 286-B40-B40-T-2-*	B40	B40	65	M10	M10	74	74	230	77.5	115	115	GN 911-M10-55	GN 911-M10-63	1590
GN 286-B40-B42-T-2-*	B40	B42	65	M10	M10	74	74	230	77.5	115	115	GN 911-M10-55	GN 911-M10-63	1558
GN 286-B40-B45-T-2-*	B40	B45	65	M10	M10	74	74	230	77.5	115	115	GN 911-M10-55	GN 911-M10-63	1558
GN 286-B40-B48-T-2-*	B40	B48	65	M10	M10	74	74	230	77.5	115	115	GN 911-M10-55	GN 911-M10-63	1558
GN 286-B42-B40-T-2-*	B42	B40	65	M10	M10	74	74	230	77.5	115	115	GN 911-M10-55	GN 911-M10-63	1560
GN 286-B40-B50-T-2-*	B40	B50	65	M10	M10	74	74	230	77.5	115	115	GN 911-M10-55	GN 911-M10-63	1558
GN 286-B42-B42-T-2-*	B42	B42	65	M10	M10	74	74	230	77.5	115	115	GN 911-M10-55	GN 911-M10-63	1590
GN 286-B42-B45-T-2-*	B42	B45	65	M10	M10	74	74	230	77.5	115	115	GN 911-M10-55	GN 911-M10-63	1520
GN 286-B42-B48-T-2-*	B42	B48	65	M10	M10	74	74	230	77.5	115	115	GN 911-M10-55	GN 911-M10-63	1475
GN 286-B42-B50-T-2-*	B42	B50	65	M10	M10	74	74	230	77.5	115	115	GN 911-M10-55	GN 911-M10-63	1510
GN 286-B45-B40-T-2-*	B45	B40	65	M10	M10	74	74	230	77.5	115	115	GN 911-M10-55	GN 911-M10-63	1510
GN 286-B45-B42-T-2-*	B45	B42	65	M10	M10	74	74	230	77.5	115	115	GN 911-M10-55	GN 911-M10-63	1510
GN 286-B45-B45-T-2-*	B45	B45	65	M10	M10	74	74	230	77.5	115	115	GN 911-M10-55	GN 911-M10-63	1590
GN 286-B45-B48-T-2-*	B45	B48	65	M10	M10	74	74	230	77.5	115	115	GN 911-M10-55	GN 911-M10-63	1430
GN 286-B45-B50-T-2-*	B45	B50	65	M10	M10	74	74	230	77.5	115	115	GN 911-M10-55	GN 911-M10-63	1510
GN 286-B48-B40-T-2-*	B48	B40	65	M10	M10	74	74	230	77.5	115	115	GN 911-M10-55	GN 911-M10-63	1510
GN 286-B48-B42-T-2-*	B48	B42	65	M10	M10	74	74	230	77.5	115	115	GN 911-M10-55	GN 911-M10-63	1510
GN 286-B48-B45-T-2-*	B48	B45	65	M10	M10	74	74	230	77.5	115	115	GN 911-M10-55	GN 911-M10-63	1510
GN 286-B48-B48-T-2-*	B48	B48	65	M10	M10	74	74	230	77.5	115	115	GN 911-M10-55	GN 911-M10-63	1590
GN 286-B48-B50-T-2-*	B48	B50	65	M10	M10	74	74	230	77.5	115	115	GN 911-M10-55	GN 911-M10-63	1370
GN 286-B50-B40-T-2-*	B50	B40	65	M10	M10	74	74	230	77.5	115	115	GN 911-M10-55	GN 911-M10-63	1510
GN 286-B50-B42-T-2-*	B50	B42	65	M10	M10	74	74	230	77.5	115	115	GN 911-M10-55	GN 911-M10-63	1510
GN 286-B50-B45-T-2-*	B50	B45	65	M10	M10	74	74	230	77.5	115	115	GN 911-M10-55	GN 911-M10-63	1510
GN 286-B50-B48-T-2-*	B50	B48	65	M10	M10	74	74	230	77.5	115	115	GN 911-M10-55	GN 911-M10-63	1510
GN 286-B50-B50-T-2-*	B50	B50	65	M10	M10	74	74	230	77.5	115	115	GN 911-M10-55	GN 911-M10-63	1590

* Complete the description of the standard item needed by adding the finish of the connector clamps: BL (blank) or SW (black).