

GN 285

Swivel clamp connector joints

•Material

Aluminium.

•Finish

- Version **SW**: RAL 9005 black colour, matte finish, epoxy resin coating.
- Version **BL**: blank, matte shot-blasted.

•Clamping screws

- Identification no. **1**: with three clamping screws DIN 912 and nuts DIN 985, zinc-plated.
- Identification no. **2**: with three AISI 304 stainless steel-clamping screws DIN 912 and nuts DIN 985.

•Assembly

The standard clamping bolts are socket cap screws DIN 912, supplied assembled. They can be replaced by clamping kits GN 911 (description see table of dimensions).

Features and applications

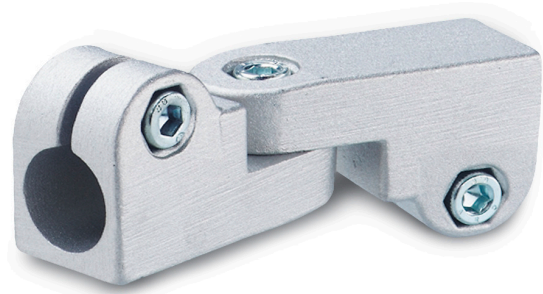
The swivel clamp connector joints GN 285 are an assembly of two swivel clamp connectors GN 275.

Since the swivel clamp connectors have an identical swivel width "b", all bores "d1/d2" can be combined as required.

The clamping bore is machined and designed for construction tubings GN 990 or DIN 2391, DIN 2395 and DIN 2462 respectively.

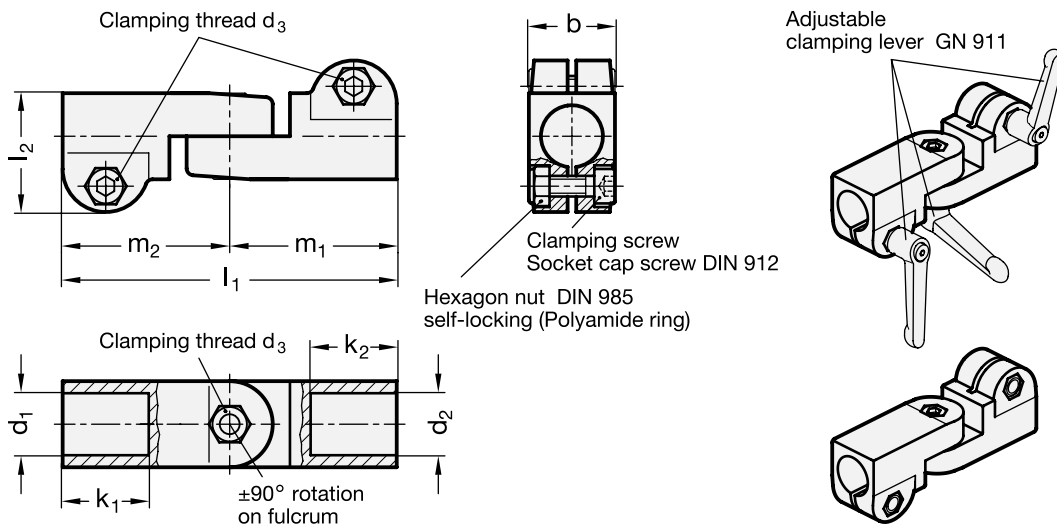
Accessories

- Construction tubings GN 990 (see page 109ff.).
- Clamping kits GN 911 (clamping handles GN 300.1 with distance bushing) see page 116.



90

Tube clamp connectors, Linear actuators



| Standard Elements | Main dimensions | | | | | | | | | | Clamping kits for d3 | g |
|--------------------|-----------------|-----|-------------------|----|----|----|----|------|------|------|-------------------------|-----|
| Description | d1 | d2 | b Swivel width | d3 | k1 | k2 | l1 | l2 | m1 | m2 | | |
| GN 285-B12-B12-1-* | B12 | B12 | 25 | M6 | 25 | 25 | 97 | 34.5 | 48.5 | 48.5 | GN 911-M6-22 | 156 |
| GN 285-B12-B14-1-* | B12 | B14 | 25 | M6 | 25 | 25 | 97 | 34.5 | 48.5 | 48.5 | GN 911-M6-22 | 146 |
| GN 285-B12-B16-1-* | B12 | B16 | 25 | M6 | 25 | 25 | 97 | 34.5 | 48.5 | 48.5 | GN 911-M6-22 | 146 |
| GN 285-B12-B18-1-* | B12 | B18 | 25 | M6 | 25 | 25 | 97 | 34.5 | 48.5 | 48.5 | GN 911-M6-22 | 146 |
| GN 285-B14-B12-1-* | B14 | B12 | 25 | M6 | 25 | 25 | 97 | 34.5 | 48.5 | 48.5 | GN 911-M6-22 | 146 |
| GN 285-B14-B14-1-* | B14 | B14 | 25 | M6 | 25 | 25 | 97 | 34.5 | 48.5 | 48.5 | GN 911-M6-22 | 148 |
| GN 285-B14-B16-1-* | B14 | B16 | 25 | M6 | 25 | 25 | 97 | 34.5 | 48.5 | 48.5 | GN 911-M6-22 | 146 |
| GN 285-B14-B18-1-* | B14 | B18 | 25 | M6 | 25 | 25 | 97 | 34.5 | 48.5 | 48.5 | GN 911-M6-22 | 146 |
| GN 285-B16-B12-1-* | B16 | B12 | 25 | M6 | 25 | 25 | 97 | 34.5 | 48.5 | 48.5 | GN 911-M6-22 | 146 |
| GN 285-B16-B14-1-* | B16 | B14 | 25 | M6 | 25 | 25 | 97 | 34.5 | 48.5 | 48.5 | GN 911-M6-22 | 146 |
| GN 285-B16-B16-1-* | B16 | B16 | 25 | M6 | 25 | 25 | 97 | 34.5 | 48.5 | 48.5 | GN 911-M6-22 | 144 |
| GN 285-B16-B18-1-* | B16 | B18 | 25 | M6 | 25 | 25 | 97 | 34.5 | 48.5 | 48.5 | GN 911-M6-22 | 146 |
| GN 285-B18-B12-1-* | B18 | B12 | 25 | M6 | 25 | 25 | 97 | 34.5 | 48.5 | 48.5 | GN 911-M6-22 | 146 |
| GN 285-B18-B14-1-* | B18 | B14 | 25 | M6 | 25 | 25 | 97 | 34.5 | 48.5 | 48.5 | GN 911-M6-22 | 146 |
| GN 285-B18-B16-1-* | B18 | B16 | 25 | M6 | 25 | 25 | 97 | 34.5 | 48.5 | 48.5 | GN 911-M6-22 | 146 |
| GN 285-B18-B18-1-* | B18 | B18 | 25 | M6 | 25 | 25 | 97 | 34.5 | 48.5 | 48.5 | GN 911-M6-22 | 136 |
| GN 285-B12-B12-2-* | B12 | B12 | 25 | M6 | 25 | 25 | 97 | 34.5 | 48.5 | 48.5 | GN 911-M6-22 | 156 |
| GN 285-B12-B14-2-* | B12 | B14 | 25 | M6 | 25 | 25 | 97 | 34.5 | 48.5 | 48.5 | GN 911-M6-22 | 146 |
| GN 285-B12-B16-2-* | B12 | B16 | 25 | M6 | 25 | 25 | 97 | 34.5 | 48.5 | 48.5 | GN 911-M6-22 | 146 |
| GN 285-B12-B18-2-* | B12 | B18 | 25 | M6 | 25 | 25 | 97 | 34.5 | 48.5 | 48.5 | GN 911-M6-22 | 146 |
| GN 285-B14-B12-2-* | B14 | B12 | 25 | M6 | 25 | 25 | 97 | 34.5 | 48.5 | 48.5 | GN 911-M6-22 | 146 |
| GN 285-B14-B14-2-* | B14 | B14 | 25 | M6 | 25 | 25 | 97 | 34.5 | 48.5 | 48.5 | GN 911-M6-22 | 148 |
| GN 285-B14-B16-2-* | B14 | B16 | 25 | M6 | 25 | 25 | 97 | 34.5 | 48.5 | 48.5 | GN 911-M6-22 | 146 |
| GN 285-B14-B18-2-* | B14 | B18 | 25 | M6 | 25 | 25 | 97 | 34.5 | 48.5 | 48.5 | GN 911-M6-22 | 146 |
| GN 285-B16-B12-2-* | B16 | B12 | 25 | M6 | 25 | 25 | 97 | 34.5 | 48.5 | 48.5 | GN 911-M6-22 | 146 |
| GN 285-B16-B14-2-* | B16 | B14 | 25 | M6 | 25 | 25 | 97 | 34.5 | 48.5 | 48.5 | GN 911-M6-22 | 146 |
| GN 285-B16-B16-2-* | B16 | B16 | 25 | M6 | 25 | 25 | 97 | 34.5 | 48.5 | 48.5 | GN 911-M6-22 | 144 |
| GN 285-B16-B18-2-* | B16 | B18 | 25 | M6 | 25 | 25 | 97 | 34.5 | 48.5 | 48.5 | GN 911-M6-22 | 146 |
| GN 285-B18-B12-2-* | B18 | B12 | 25 | M6 | 25 | 25 | 97 | 34.5 | 48.5 | 48.5 | GN 911-M6-22 | 146 |
| GN 285-B18-B14-2-* | B18 | B14 | 25 | M6 | 25 | 25 | 97 | 34.5 | 48.5 | 48.5 | GN 911-M6-22 | 146 |
| GN 285-B18-B16-2-* | B18 | B16 | 25 | M6 | 25 | 25 | 97 | 34.5 | 48.5 | 48.5 | GN 911-M6-22 | 146 |
| GN 285-B18-B18-2-* | B18 | B18 | 25 | M6 | 25 | 25 | 97 | 34.5 | 48.5 | 48.5 | GN 911-M6-22 | 136 |

* Complete the description of the standard item needed by adding the finish of the connector clamps: BL (blank) or SW (black).