

# GN 284

## Swivel clamp connector joints

### •Material

Aluminium.

### •Finish

- Version **SW**: RAL 9005 black colour, matte finish, epoxy resin coating.
- Version **BL**: blank, matte shot-blasted.

### •Types

- Type **S**: steppless adjustment.
- Type **T**: adjustment by 15°-division (serration).

### •Clamping screws

- Identification no. **1**: with three clamping screws DIN 912 and nuts DIN 985, zinc-plated.
- Identification no. **2**: with three AISI 304 stainless steel-clamping screws DIN 912 and nuts DIN 985.

### •Assembly

The standard clamping bolts are socket cap screws DIN 912, supplied assembled. They can be replaced by clamping kits GN 911 (description see table of dimensions).

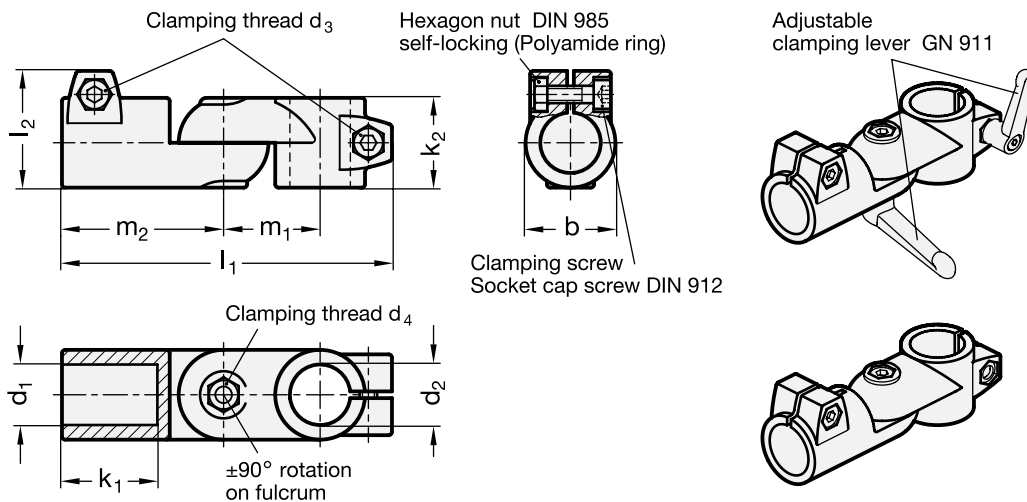
### Features and applications

The swivel clamp connector joints GN 284 are an assembly of the two swivel clamp connectors GN 274 and GN 276.

For the type with a stepless adjustment (Type S) swivel clamp connectors with a centring step are used. Since the latter have an identical swivel width "b", all bores "d1/d2" can be combined as required. The clamping bore is machined and designed for construction tubings GN 990 or DIN 2391, DIN 2395 and DIN 2462 respectively.


### Accessories

- Construction tubings GN 990 (see page 109ff.).
- Clamping kits GN 911 (clamping handles GN 300.1 with distance bushing) see page 116.



Standard Elements	Main dimensions											Clamping kits		g
	Description	d1	d2	b Swivel width	d3	d4	k1	k2	l1	l2	m1	m2	for d3	
GN 284-B20-B20-S-1-*	B20	B20	40	M8	M8	42.5	40	147	52	43	72	GN 911-M8-32	GN 911-M8-35	405
GN 284-B20-B25-S-1-*	B20	B25	40	M8	M8	42.5	40	147	52	43	72	GN 911-M8-32	GN 911-M8-35	405
GN 284-B20-B30-S-1-*	B20	B30	40	M8	M8	42.5	40	147	52	43	72	GN 911-M8-32	GN 911-M8-35	405
GN 284-B25-B20-S-1-*	B25	B20	40	M8	M8	42.5	40	147	52	43	72	GN 911-M8-32	GN 911-M8-35	405
GN 284-B25-B25-S-1-*	B25	B25	40	M8	M8	42.5	40	147	52	43	72	GN 911-M8-32	GN 911-M8-35	375
GN 284-B25-B30-S-1-*	B25	B30	40	M8	M8	42.5	40	147	52	43	72	GN 911-M8-32	GN 911-M8-35	405
GN 284-B30-B20-S-1-*	B30	B20	40	M8	M8	42.5	40	147	52	43	72	GN 911-M8-32	GN 911-M8-35	405
GN 284-B30-B25-S-1-*	B30	B25	40	M8	M8	42.5	40	147	52	43	72	GN 911-M8-32	GN 911-M8-35	405
GN 284-B30-B30-S-1-*	B30	B30	40	M8	M8	42.5	40	147	52	43	72	GN 911-M8-32	GN 911-M8-35	325
GN 284-B40-B40-S-1-*	B40	B40	65	M10	M10	74	65	230	77.5	70	115	GN 911-M10-55	GN 911-M10-63	1500
GN 284-B40-B42-S-1-*	B40	B42	65	M10	M10	74	65	230	77.5	70	115	GN 911-M10-55	GN 911-M10-63	1500
GN 284-B40-B45-S-1-*	B40	B45	65	M10	M10	74	65	230	77.5	70	115	GN 911-M10-55	GN 911-M10-63	1500
GN 284-B40-B48-S-1-*	B40	B48	65	M10	M10	74	65	230	77.5	70	115	GN 911-M10-55	GN 911-M10-63	1500
GN 284-B40-B50-S-1-*	B40	B50	65	M10	M10	74	65	230	77.5	70	115	GN 911-M10-55	GN 911-M10-63	1500
GN 284-B42-B40-S-1-*	B42	B40	65	M10	M10	74	65	230	77.5	70	115	GN 911-M10-55	GN 911-M10-63	1485
GN 284-B42-B42-S-1-*	B42	B42	65	M10	M10	74	65	230	77.5	70	115	GN 911-M10-55	GN 911-M10-63	1470
GN 284-B42-B45-S-1-*	B42	B45	65	M10	M10	74	65	230	77.5	70	115	GN 911-M10-55	GN 911-M10-63	1435
GN 284-B42-B48-S-1-*	B42	B48	65	M10	M10	74	65	230	77.5	70	115	GN 911-M10-55	GN 911-M10-63	1410
GN 284-B42-B50-S-1-*	B42	B50	65	M10	M10	74	65	230	77.5	70	115	GN 911-M10-55	GN 911-M10-63	1370
GN 284-B45-B40-S-1-*	B45	B40	65	M10	M10	74	65	230	77.5	70	115	GN 911-M10-55	GN 911-M10-63	1400
GN 284-B45-B42-S-1-*	B45	B42	65	M10	M10	74	65	230	77.5	70	115	GN 911-M10-55	GN 911-M10-63	1380
GN 284-B45-B45-S-1-*	B45	B45	65	M10	M10	74	65	230	77.5	70	115	GN 911-M10-55	GN 911-M10-63	1400
GN 284-B45-B48-S-1-*	B45	B48	65	M10	M10	74	65	230	77.5	70	115	GN 911-M10-55	GN 911-M10-63	1355
GN 284-B45-B50-S-1-*	B45	B50	65	M10	M10	74	65	230	77.5	70	115	GN 911-M10-55	GN 911-M10-63	1380
GN 284-B48-B40-S-1-*	B48	B40	65	M10	M10	74	65	230	77.5	70	115	GN 911-M10-55	GN 911-M10-63	1400
GN 284-B48-B42-S-1-*	B48	B42	65	M10	M10	74	65	230	77.5	70	115	GN 911-M10-55	GN 911-M10-63	1400
GN 284-B48-B45-S-1-*	B48	B45	65	M10	M10	74	65	230	77.5	70	115	GN 911-M10-55	GN 911-M10-63	1400
GN 284-B48-B48-S-1-*	B48	B48	65	M10	M10	74	65	230	77.5	70	115	GN 911-M10-55	GN 911-M10-63	1350
GN 284-B48-B50-S-1-*	B48	B50	65	M10	M10	74	65	230	77.5	70	115	GN 911-M10-55	GN 911-M10-63	1400
GN 284-B50-B40-S-1-*	B50	B40	65	M10	M10	74	65	230	77.5	70	115	GN 911-M10-55	GN 911-M10-63	1380
GN 284-B50-B42-S-1-*	B50	B42	65	M10	M10	74	65	230	77.5	70	115	GN 911-M10-55	GN 911-M10-63	1380
GN 284-B50-B45-S-1-*	B50	B45	65	M10	M10	74	65	230	77.5	70	115	GN 911-M10-55	GN 911-M10-63	1380
GN 284-B50-B48-S-1-*	B50	B48	65	M10	M10	74	65	230	77.5	70	115	GN 911-M10-55	GN 911-M10-63	1380
GN 284-B50-B50-S-1-*	B50	B50	65	M10	M10	74	65	230	77.5	70	115	GN 911-M10-55	GN 911-M10-63	1270
GN 284-B20-B20-T-1-*	B20	B20	40	M8	M8	42.5	40	147	52	43	72	GN 911-M8-32	GN 911-M8-35	410
GN 284-B20-B25-T-1-*	B20	B25	40	M8	M8	42.5	40	147	52	43	72	GN 911-M8-32	GN 911-M8-35	405
GN 284-B20-B30-T-1-*	B20	B30	40	M8	M8	42.5	40	147	52	43	72	GN 911-M8-32	GN 911-M8-35	405
GN 284-B25-B20-T-1-*	B25	B20	40	M8	M8	42.5	40	147	52	43	72	GN 911-M8-32	GN 911-M8-35	405
GN 284-B25-B25-T-1-*	B25	B25	40	M8	M8	42.5	40	147	52	43	72	GN 911-M8-32	GN 911-M8-35	380
GN 284-B25-B30-T-1-*	B25	B30	40	M8	M8	42.5	40	147	52	43	72	GN 911-M8-32	GN 911-M8-35	405
GN 284-B30-B20-T-1-*	B30	B20	40	M8	M8	42.5	40	147	52	43	72	GN 911-M8-32	GN 911-M8-35	405
GN 284-B30-B25-T-1-*	B30	B25	40	M8	M8	42.5	40	147	52	43	72	GN 911-M8-32	GN 911-M8-35	405
GN 284-B30-B30-T-1-*	B30	B30	40	M8	M8	42.5	40	147	52	43	72	GN 911-M8-32	GN 911-M8-35	330
GN 284-B40-B40-T-1-*	B40	B40	65	M10	M10	74	65	230	77.5	70	115	GN 911-M10-55	GN 911-M10-63	1510

\* Complete the description of the standard item needed by adding the finish of the connector clamps: BL (blank) or SW (black).

Standard Elements	Main dimensions											Clamping kits		
Description	d1	d2	b Swivel width	d3	d4	k1	k2	l1	l2	m1	m2	for d3	for d4	g
GN 284-B40-B42-T-1-*	B40	B42	65	M10	M10	74	65	230	77.5	70	115	GN 911-M10-55	GN 911-M10-63	1500
GN 284-B40-B45-T-1-*	B40	B45	65	M10	M10	74	65	230	77.5	70	115	GN 911-M10-55	GN 911-M10-63	1500
GN 284-B40-B48-T-1-*	B40	B48	65	M10	M10	74	65	230	77.5	70	115	GN 911-M10-55	GN 911-M10-63	1500
GN 284-B40-B50-T-1-*	B40	B50	65	M10	M10	74	65	230	77.5	70	115	GN 911-M10-55	GN 911-M10-63	1500
GN 284-B42-B40-T-1-*	B42	B40	65	M10	M10	74	65	230	77.5	70	115	GN 911-M10-55	GN 911-M10-63	1373
GN 284-B42-B42-T-1-*	B42	B42	65	M10	M10	74	65	230	77.5	70	115	GN 911-M10-55	GN 911-M10-63	1480
GN 284-B42-B45-T-1-*	B42	B45	65	M10	M10	74	65	230	77.5	70	115	GN 911-M10-55	GN 911-M10-63	1435
GN 284-B42-B48-T-1-*	B42	B48	65	M10	M10	74	65	230	77.5	70	115	GN 911-M10-55	GN 911-M10-63	1410
GN 284-B42-B50-T-1-*	B42	B50	65	M10	M10	74	65	230	77.5	70	115	GN 911-M10-55	GN 911-M10-63	1370
GN 284-B45-B40-T-1-*	B45	B40	65	M10	M10	74	65	230	77.5	70	115	GN 911-M10-55	GN 911-M10-63	1400
GN 284-B45-B42-T-1-*	B45	B42	65	M10	M10	74	65	230	77.5	70	115	GN 911-M10-55	GN 911-M10-63	1380
GN 284-B45-B45-T-1-*	B45	B45	65	M10	M10	74	65	230	77.5	70	115	GN 911-M10-55	GN 911-M10-63	1410
GN 284-B45-B48-T-1-*	B45	B48	65	M10	M10	74	65	230	77.5	70	115	GN 911-M10-55	GN 911-M10-63	1380
GN 284-B45-B50-T-1-*	B45	B50	65	M10	M10	74	65	230	77.5	70	115	GN 911-M10-55	GN 911-M10-63	1380
GN 284-B48-B40-T-1-*	B48	B40	65	M10	M10	74	65	230	77.5	70	115	GN 911-M10-55	GN 911-M10-63	1400
GN 284-B48-B42-T-1-*	B48	B42	65	M10	M10	74	65	230	77.5	70	115	GN 911-M10-55	GN 911-M10-63	1380
GN 284-B48-B45-T-1-*	B48	B45	65	M10	M10	74	65	230	77.5	70	115	GN 911-M10-55	GN 911-M10-63	1380
GN 284-B48-B48-T-1-*	B48	B48	65	M10	M10	74	65	230	77.5	70	115	GN 911-M10-55	GN 911-M10-63	1360
GN 284-B48-B50-T-1-*	B48	B50	65	M10	M10	74	65	230	77.5	70	115	GN 911-M10-55	GN 911-M10-63	1380
GN 284-B50-B40-T-1-*	B50	B40	65	M10	M10	74	65	230	77.5	70	115	GN 911-M10-55	GN 911-M10-63	1380
GN 284-B50-B42-T-1-*	B50	B42	65	M10	M10	74	65	230	77.5	70	115	GN 911-M10-55	GN 911-M10-63	1380
GN 284-B50-B45-T-1-*	B50	B45	65	M10	M10	74	65	230	77.5	70	115	GN 911-M10-55	GN 911-M10-63	1380
GN 284-B50-B48-T-1-*	B50	B48	65	M10	M10	74	65	230	77.5	70	115	GN 911-M10-55	GN 911-M10-63	1380
GN 284-B50-B50-T-1-*	B50	B50	65	M10	M10	74	65	230	77.5	70	115	GN 911-M10-55	GN 911-M10-63	1280
GN 284-B20-B20-S-2-*	B20	B20	40	M8	M8	42.5	40	147	52	43	72	GN 911-M8-32	GN 911-M8-35	405
GN 284-B20-B25-S-2-*	B20	B25	40	M8	M8	42.5	40	147	52	43	72	GN 911-M8-32	GN 911-M8-35	405
GN 284-B20-B30-S-2-*	B20	B30	40	M8	M8	42.5	40	147	52	43	72	GN 911-M8-32	GN 911-M8-35	405
GN 284-B25-B20-S-2-*	B25	B20	40	M8	M8	42.5	40	147	52	43	72	GN 911-M8-32	GN 911-M8-35	405
GN 284-B25-B25-S-2-*	B25	B25	40	M8	M8	42.5	40	147	52	43	72	GN 911-M8-32	GN 911-M8-35	375
GN 284-B25-B30-S-2-*	B25	B30	40	M8	M8	42.5	40	147	52	43	72	GN 911-M8-32	GN 911-M8-35	405
GN 284-B30-B20-S-2-*	B30	B20	40	M8	M8	42.5	40	147	52	43	72	GN 911-M8-32	GN 911-M8-35	405
GN 284-B30-B25-S-2-*	B30	B25	40	M8	M8	42.5	40	147	52	43	72	GN 911-M8-32	GN 911-M8-35	405
GN 284-B30-B30-S-2-*	B30	B30	40	M8	M8	42.5	40	147	52	43	72	GN 911-M8-32	GN 911-M8-35	325
GN 284-B40-B40-S-2-*	B40	B40	65	M10	M10	74	65	230	77.5	70	115	GN 911-M10-55	GN 911-M10-63	1500
GN 284-B40-B42-S-2-*	B40	B42	65	M10	M10	74	65	230	77.5	70	115	GN 911-M10-55	GN 911-M10-63	1500
GN 284-B40-B45-S-2-*	B40	B45	65	M10	M10	74	65	230	77.5	70	115	GN 911-M10-55	GN 911-M10-63	1500
GN 284-B40-B48-S-2-*	B40	B48	65	M10	M10	74	65	230	77.5	70	115	GN 911-M10-55	GN 911-M10-63	1500
GN 284-B40-B50-S-2-*	B40	B50	65	M10	M10	74	65	230	77.5	70	115	GN 911-M10-55	GN 911-M10-63	1500
GN 284-B42-B40-S-2-*	B42	B40	65	M10	M10	74	65	230	77.5	70	115	GN 911-M10-55	GN 911-M10-63	1485
GN 284-B42-B42-S-2-*	B42	B42	65	M10	M10	74	65	230	77.5	70	115	GN 911-M10-55	GN 911-M10-63	1470
GN 284-B42-B45-S-2-*	B42	B45	65	M10	M10	74	65	230	77.5	70	115	GN 911-M10-55	GN 911-M10-63	1435
GN 284-B42-B48-S-2-*	B42	B48	65	M10	M10	74	65	230	77.5	70	115	GN 911-M10-55	GN 911-M10-63	1410
GN 284-B42-B50-S-2-*	B42	B50	65	M10	M10	74	65	230	77.5	70	115	GN 911-M10-55	GN 911-M10-63	1370
GN 284-B45-B40-S-2-*	B45	B40	65	M10	M10	74	65	230	77.5	70	115	GN 911-M10-55	GN 911-M10-63	1400
GN 284-B45-B42-S-2-*	B45	B42	65	M10	M10	74	65	230	77.5	70	115	GN 911-M10-55	GN 911-M10-63	1380
GN 284-B45-B45-S-2-*	B45	B45	65	M10	M10	74	65	230	77.5	70	115	GN 911-M10-55	GN 911-M10-63	1400

\* Complete the description of the standard item needed by adding the finish of the connector clamps: BL (blank) or SW (black).

Standard Elements	Main dimensions											Clamping kits		g
	Description	d1	d2	b Swivel width	d3	d4	k1	k2	l1	l2	m1	m2	for d3	
GN 284-B45-B48-S-2-*	B45	B48	65	M10	M10	74	65	230	77.5	70	115	GN 911-M10-55	GN 911-M10-63	1355
GN 284-B45-B50-S-2-*	B45	B50	65	M10	M10	74	65	230	77.5	70	115	GN 911-M10-55	GN 911-M10-63	1380
GN 284-B48-B40-S-2-*	B48	B40	65	M10	M10	74	65	230	77.5	70	115	GN 911-M10-55	GN 911-M10-63	1400
GN 284-B48-B42-S-2-*	B48	B42	65	M10	M10	74	65	230	77.5	70	115	GN 911-M10-55	GN 911-M10-63	1400
GN 284-B48-B45-S-2-*	B48	B45	65	M10	M10	74	65	230	77.5	70	115	GN 911-M10-55	GN 911-M10-63	1400
GN 284-B48-B48-S-2-*	B48	B48	65	M10	M10	74	65	230	77.5	70	115	GN 911-M10-55	GN 911-M10-63	1350
GN 284-B48-B50-S-2-*	B48	B50	65	M10	M10	74	65	230	77.5	70	115	GN 911-M10-55	GN 911-M10-63	1400
GN 284-B50-B40-S-2-*	B50	B40	65	M10	M10	74	65	230	77.5	70	115	GN 911-M10-55	GN 911-M10-63	1380
GN 284-B50-B42-S-2-*	B50	B42	65	M10	M10	74	65	230	77.5	70	115	GN 911-M10-55	GN 911-M10-63	1380
GN 284-B50-B45-S-2-*	B50	B45	65	M10	M10	74	65	230	77.5	70	115	GN 911-M10-55	GN 911-M10-63	1380
GN 284-B50-B48-S-2-*	B50	B48	65	M10	M10	74	65	230	77.5	70	115	GN 911-M10-55	GN 911-M10-63	1380
GN 284-B50-B50-S-2-*	B50	B50	65	M10	M10	74	65	230	77.5	70	115	GN 911-M10-55	GN 911-M10-63	1270
GN 284-B20-B20-T-2-*	B20	B20	40	M8	M8	42.5	40	147	52	43	72	GN 911-M8-32	GN 911-M8-35	410
GN 284-B20-B25-T-2-*	B20	B25	40	M8	M8	42.5	40	147	52	43	72	GN 911-M8-32	GN 911-M8-35	405
GN 284-B20-B30-T-2-*	B20	B30	40	M8	M8	42.5	40	147	52	43	72	GN 911-M8-32	GN 911-M8-35	405
GN 284-B25-B20-T-2-*	B25	B20	40	M8	M8	42.5	40	147	52	43	72	GN 911-M8-32	GN 911-M8-35	405
GN 284-B25-B25-T-2-*	B25	B25	40	M8	M8	42.5	40	147	52	43	72	GN 911-M8-32	GN 911-M8-35	380
GN 284-B25-B30-T-2-*	B25	B30	40	M8	M8	42.5	40	147	52	43	72	GN 911-M8-32	GN 911-M8-35	405
GN 284-B30-B20-T-2-*	B30	B20	40	M8	M8	42.5	40	147	52	43	72	GN 911-M8-32	GN 911-M8-35	405
GN 284-B30-B25-T-2-*	B30	B25	40	M8	M8	42.5	40	147	52	43	72	GN 911-M8-32	GN 911-M8-35	405
GN 284-B30-B30-T-2-*	B30	B30	40	M8	M8	42.5	40	147	52	43	72	GN 911-M8-32	GN 911-M8-35	330
GN 284-B40-B40-T-2-*	B40	B40	65	M10	M10	74	65	230	77.5	70	115	GN 911-M10-55	GN 911-M10-63	1510
GN 284-B40-B42-T-2-*	B40	B42	65	M10	M10	74	65	230	77.5	70	115	GN 911-M10-55	GN 911-M10-63	1500
GN 284-B40-B45-T-2-*	B40	B45	65	M10	M10	74	65	230	77.5	70	115	GN 911-M10-55	GN 911-M10-63	1500
GN 284-B40-B48-T-2-*	B40	B48	65	M10	M10	74	65	230	77.5	70	115	GN 911-M10-55	GN 911-M10-63	1500
GN 284-B40-B50-T-2-*	B40	B50	65	M10	M10	74	65	230	77.5	70	115	GN 911-M10-55	GN 911-M10-63	1500
GN 284-B42-B40-T-2-*	B42	B40	65	M10	M10	74	65	230	77.5	70	115	GN 911-M10-55	GN 911-M10-63	1485
GN 284-B42-B42-T-2-*	B42	B42	65	M10	M10	74	65	230	77.5	70	115	GN 911-M10-55	GN 911-M10-63	1480
GN 284-B42-B45-T-2-*	B42	B45	65	M10	M10	74	65	230	77.5	70	115	GN 911-M10-55	GN 911-M10-63	1435
GN 284-B42-B48-T-2-*	B42	B48	65	M10	M10	74	65	230	77.5	70	115	GN 911-M10-55	GN 911-M10-63	1410
GN 284-B42-B50-T-2-*	B42	B50	65	M10	M10	74	65	230	77.5	70	115	GN 911-M10-55	GN 911-M10-63	1370
GN 284-B45-B40-T-2-*	B45	B40	65	M10	M10	74	65	230	77.5	70	115	GN 911-M10-55	GN 911-M10-63	1400
GN 284-B45-B42-T-2-*	B45	B42	65	M10	M10	74	65	230	77.5	70	115	GN 911-M10-55	GN 911-M10-63	1380
GN 284-B45-B45-T-2-*	B45	B45	65	M10	M10	74	65	230	77.5	70	115	GN 911-M10-55	GN 911-M10-63	1410
GN 284-B45-B48-T-2-*	B45	B48	65	M10	M10	74	65	230	77.5	70	115	GN 911-M10-55	GN 911-M10-63	1380
GN 284-B45-B50-T-2-*	B45	B50	65	M10	M10	74	65	230	77.5	70	115	GN 911-M10-55	GN 911-M10-63	1380
GN 284-B48-B40-T-2-*	B48	B40	65	M10	M10	74	65	230	77.5	70	115	GN 911-M10-55	GN 911-M10-63	1400
GN 284-B48-B42-T-2-*	B48	B42	65	M10	M10	74	65	230	77.5	70	115	GN 911-M10-55	GN 911-M10-63	1380
GN 284-B48-B45-T-2-*	B48	B45	65	M10	M10	74	65	230	77.5	70	115	GN 911-M10-55	GN 911-M10-63	1380
GN 284-B48-B48-T-2-*	B48	B48	65	M10	M10	74	65	230	77.5	70	115	GN 911-M10-55	GN 911-M10-63	1360
GN 284-B48-B50-T-2-*	B48	B50	65	M10	M10	74	65	230	77.5	70	115	GN 911-M10-55	GN 911-M10-63	1400
GN 284-B50-B40-T-2-*	B50	B40	65	M10	M10	74	65	230	77.5	70	115	GN 911-M10-55	GN 911-M10-63	1380
GN 284-B50-B42-T-2-*	B50	B42	65	M10	M10	74	65	230	77.5	70	115	GN 911-M10-55	GN 911-M10-63	1380
GN 284-B50-B45-T-2-*	B50	B45	65	M10	M10	74	65	230	77.5	70	115	GN 911-M10-55	GN 911-M10-63	1380
GN 284-B50-B48-T-2-*	B50	B48	65	M10	M10	74	65	230	77.5	70	115	GN 911-M10-55	GN 911-M10-63	1380
GN 284-B50-B50-T-2-*	B50	B50	65	M10	M10	74	65	230	77.5	70	115	GN 911-M10-55	GN 911-M10-63	1280

\* Complete the description of the standard item needed by adding the finish of the connector clamps: BL (blank) or SW (black).