

GN 282

Swivel clamp connector joints

•Material

Aluminium.

•Finish

- Version **SW**: RAL 9005 black colour, matte finish, epoxy resin coating.
- Version **BL**: blank, matte shot-blasted.

•Types

- Type **S**: steppless adjustment.
- Type **T**: adjustment by 15°-division (serration).

•Clamping screws

- Identification no. **1**: with three clamping screws DIN 912 and nuts DIN 985, zinc-plated.
- Identification no. **2**: with three AISI 304 stainless steel-clamping screws DIN 912 and nuts DIN 985.

•Assembly

The standard clamping bolts are socket cap screws DIN 912, supplied assembled. They can be replaced by clamping kits GN 911 (description see table of dimensions).

Features and applications

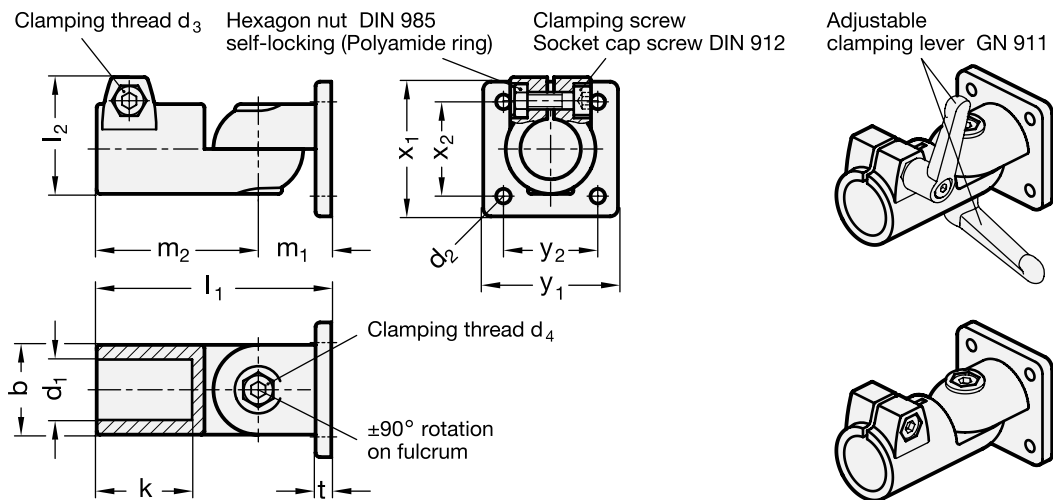
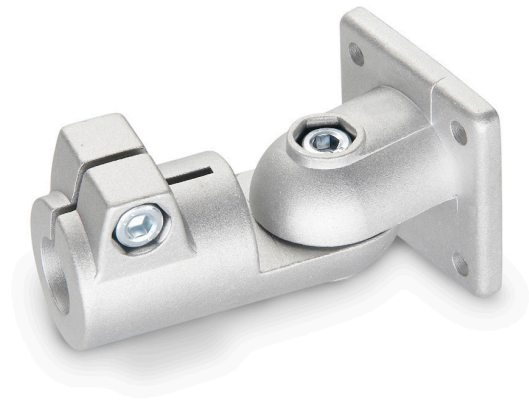
The swivel clamp connector joints GN 282 are an assembly of the swivel clamp connectors GN 272 and GN 276.

For the type with steppless adjustment (Type S) swivel clamp connectors with a centring step are used.

The clamping bore is machined and designed for construction tubings GN 990 or DIN 2391, DIN 2395 and DIN 2462 respectively.

Accessories

- Construction tubings GN 990 (see page 109ff.).
- Clamping kits GN 911 (clamping handles GN 300.1 with distance bushing) see page 116.



Standard Elements	Main dimensions															Clamping kits		g
	Description	d1	b	d2	d3	d4	k	l1	l2	m1	m2	t	x1	x2	y1	y2	for d3	
GN 282-B20-S-1-*	B20	40	6.5	M8	M8	42.5	104.5	52	32.5	72	7	60	42	60	42	GN 911-M8-32	GN 911-M8-35	242
GN 282-B25-S-1-*	B25	40	6.5	M8	M8	42.5	104.5	52	32.5	72	7	60	42	60	42	GN 911-M8-32	GN 911-M8-35	310
GN 282-B30-S-1-*	B30	40	6.5	M8	M8	42.5	104.5	52	32.5	72	7	60	42	60	42	GN 911-M8-32	GN 911-M8-35	200
GN 282-B40-S-1-*	B40	65	11	M10	M10	74	167	77.5	52	115	14	105	74	105	74	GN 911-M10-55	GN 911-M10-63	1355
GN 282-B42-S-1-*	B42	65	11	M10	M10	74	167	77.5	52	115	14	105	74	105	74	GN 911-M10-55	GN 911-M10-63	1340
GN 282-B45-S-1-*	B45	65	11	M10	M10	74	167	77.5	52	115	14	105	74	105	74	GN 911-M10-55	GN 911-M10-63	1300
GN 282-B48-S-1-*	B48	65	11	M10	M10	74	167	77.5	52	115	14	105	74	105	74	GN 911-M10-55	GN 911-M10-63	1255
GN 282-B50-S-1-*	B50	65	11	M10	M10	74	167	77.5	52	115	14	105	74	105	74	GN 911-M10-55	GN 911-M10-63	1245
GN 282-B20-T-1-*	B20	40	6.5	M8	M8	42.5	104.5	52	32.5	72	7	60	42	60	42	GN 911-M8-32	GN 911-M8-35	279
GN 282-B25-T-1-*	B25	40	6.5	M8	M8	42.5	104.5	52	32.5	72	7	60	42	60	42	GN 911-M8-32	GN 911-M8-35	310
GN 282-B30-T-1-*	B30	40	6.5	M8	M8	42.5	104.5	52	32.5	72	7	60	42	60	42	GN 911-M8-32	GN 911-M8-35	330
GN 282-B40-T-1-*	B40	65	11	M10	M10	74	167	77.5	52	115	14	105	74	105	74	GN 911-M10-55	GN 911-M10-63	1365
GN 282-B42-T-1-*	B42	65	11	M10	M10	74	167	77.5	52	115	14	105	74	105	74	GN 911-M10-55	GN 911-M10-63	1345
GN 282-B45-T-1-*	B45	65	11	M10	M10	74	167	77.5	52	115	14	105	74	105	74	GN 911-M10-55	GN 911-M10-63	1310
GN 282-B48-T-1-*	B48	65	11	M10	M10	74	167	77.5	52	115	14	105	74	105	74	GN 911-M10-55	GN 911-M10-63	1265
GN 282-B50-T-1-*	B50	65	11	M10	M10	74	167	77.5	52	115	14	105	74	105	74	GN 911-M10-55	GN 911-M10-63	1255
GN 282-B20-S-2-*	B20	40	6.5	M8	M8	42.5	104.5	52	32.5	72	7	60	42	60	42	GN 911-M8-32	GN 911-M8-35	242
GN 282-B25-S-2-*	B25	40	6.5	M8	M8	42.5	104.5	52	32.5	72	7	60	42	60	42	GN 911-M8-32	GN 911-M8-35	275
GN 282-B30-S-2-*	B30	40	6.5	M8	M8	42.5	104.5	52	32.5	72	7	60	42	60	42	GN 911-M8-32	GN 911-M8-35	200
GN 282-B40-S-2-*	B40	65	11	M10	M10	74	167	77.5	52	115	14	105	74	105	74	GN 911-M10-55	GN 911-M10-63	1260
GN 282-B42-S-2-*	B42	65	11	M10	M10	74	167	77.5	52	115	14	105	74	105	74	GN 911-M10-55	GN 911-M10-63	1340
GN 282-B45-S-2-*	B45	65	11	M10	M10	74	167	77.5	52	115	14	105	74	105	74	GN 911-M10-55	GN 911-M10-63	1300
GN 282-B48-S-2-*	B48	65	11	M10	M10	74	167	77.5	52	115	14	105	74	105	74	GN 911-M10-55	GN 911-M10-63	1255
GN 282-B50-S-2-*	B50	65	11	M10	M10	74	167	77.5	52	115	14	105	74	105	74	GN 911-M10-55	GN 911-M10-63	1245
GN 282-B20-T-2-*	B20	40	6.5	M8	M8	42.5	104.5	52	32.5	72	7	60	42	60	42	GN 911-M8-32	GN 911-M8-35	279
GN 282-B25-T-2-*	B25	40	6.5	M8	M8	42.5	104.5	52	32.5	72	7	60	42	60	42	GN 911-M8-32	GN 911-M8-35	310
GN 282-B30-T-2-*	B30	40	6.5	M8	M8	42.5	104.5	52	32.5	72	7	60	42	60	42	GN 911-M8-32	GN 911-M8-35	235
GN 282-B40-T-2-*	B40	65	11	M10	M10	74	167	77.5	52	115	14	105	74	105	74	GN 911-M10-55	GN 911-M10-63	300
GN 282-B42-T-2-*	B42	65	11	M10	M10	74	167	77.5	52	115	14	105	74	105	74	GN 911-M10-55	GN 911-M10-63	1345
GN 282-B45-T-2-*	B45	65	11	M10	M10	74	167	77.5	52	115	14	105	74	105	74	GN 911-M10-55	GN 911-M10-63	1310
GN 282-B48-T-2-*	B48	65	11	M10	M10	74	167	77.5	52	115	14	105	74	105	74	GN 911-M10-55	GN 911-M10-63	1265
GN 282-B50-T-2-*	B50	65	11	M10	M10	74	167	77.5	52	115	14	105	74	105	74	GN 911-M10-55	GN 911-M10-63	1255

* Complete the description of the standard item needed by adding the finish of the connector clamps: BL (blank) or SW (black).