

GN 278

Swivel clamp connectors

76

Tube clamp connectors, Linear actuators

•Material

Aluminium.

•Finish

- Version **SW**: RAL 9005 black colour, matte finish, epoxy resin coating.
- Version **BL**: blank, matte shot-blasted.

•Types

- Type **OZ**: without centring step.
- Type **MZ**: with centring step.
- Type **AV**: with male serration.
- Type **IV**: with female serration.

•Clamping screw

- Identification no. **1**: with clamping screw DIN 912 and nut DIN 985, zinc-plated.
- Identification no. **2**: with AISI 304 stainless steel-clamping screw DIN 912 and nut DIN 985.

•Assembly

The standard clamping bolts are socket cap screws DIN 912, supplied assembled. They can be replaced by clamping kits GN 911 (description see table of dimensions).

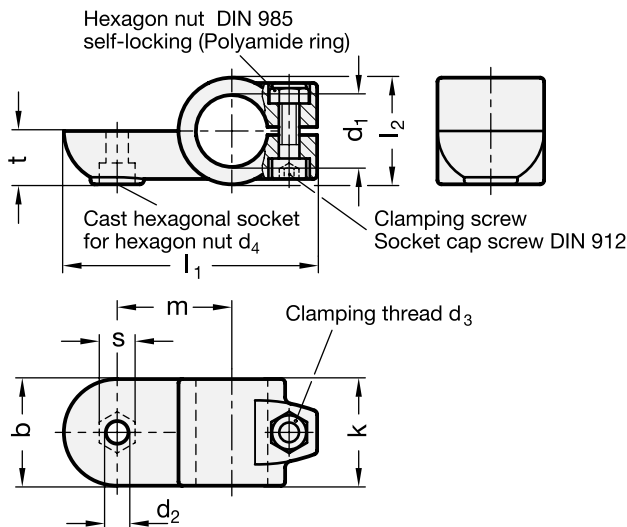
Features and applications

Swivel clamp connectors GN 278 can be assembled with swivel clamp connectors GN 272, GN 274 or GN 276 to create swivel clamp connector joints.

The clamping bore of the swivel clamp connectors GN 278 is machined and designed for construction tubings GN 990 or DIN 2391, DIN 2395 and DIN 2462 respectively.

Accessories

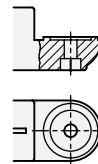
- Construction tubings GN 990 (see page 109ff.).
- Clamping kits GN 911 (clamping handles GN 300.1 with distance bushing) see page 116.



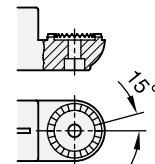
Type **OZ**
without centring step



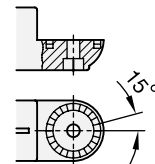
Type **MZ**
with centring step




Type **AV**
with male serration




Type **IV**
with female serration



Standard Elements	Main dimensions											Clamping kits for d3	
Description	d1	b Swivel width	d2	d3	d4	k	l1	l2	m	s	t		g
GN 278-B20-OZ-1-*	B20	40	8.5	M8	M8	40	95	40	43	13	20	GN 911-M8-32	185
GN 278-B25-OZ-1-*	B25	40	8.5	M8	M8	40	95	40	43	13	20	GN 911-M8-32	170
GN 278-B30-OZ-1-*	B30	40	8.5	M8	M8	40	95	40	43	13	20	GN 911-M8-32	145
GN 278-B40-OZ-1-*	B40	65	10.5	M10	M10	65	148	65	70	17	32.5	GN 911-M10-55	705
GN 278-B42-OZ-1-*	B42	65	10.5	M10	M10	65	148	65	70	17	32.5	GN 911-M10-55	675
GN 278-B45-OZ-1-*	B45	65	10.5	M10	M10	65	148	65	70	17	32.5	GN 911-M10-55	645
GN 278-B48-OZ-1-*	B48	65	10.5	M10	M10	65	148	65	70	17	32.5	GN 911-M10-55	610
GN 278-B50-OZ-1-*	B50	65	10.5	M10	M10	65	148	65	70	17	32.5	GN 911-M10-55	585
GN 278-B20-MZ-1-*	B20	40	8.5	M8	M8	40	95	40	43	13	20	GN 911-M8-32	185
GN 278-B25-MZ-1-*	B25	40	8.5	M8	M8	40	95	40	43	13	20	GN 911-M8-32	170
GN 278-B30-MZ-1-*	B30	40	8.5	M8	M8	40	95	40	43	13	20	GN 911-M8-32	145
GN 278-B40-MZ-1-*	B40	65	10.5	M10	M10	65	148	65	70	17	32.5	GN 911-M10-55	695
GN 278-B42-MZ-1-*	B42	65	10.5	M10	M10	65	148	65	70	17	32.5	GN 911-M10-55	675
GN 278-B45-MZ-1-*	B45	65	10.5	M10	M10	65	148	65	70	17	32.5	GN 911-M10-55	645
GN 278-B48-MZ-1-*	B48	65	10.5	M10	M10	65	148	65	70	17	32.5	GN 911-M10-55	605
GN 278-B50-MZ-1-*	B50	65	10.5	M10	M10	65	148	65	70	17	32.5	GN 911-M10-55	575
GN 278-B20-AV-1-*	B20	40	8.5	M8	M8	40	95	40	43	13	20	GN 911-M8-32	190
GN 278-B25-AV-1-*	B25	40	8.5	M8	M8	40	95	40	43	13	20	GN 911-M8-32	170
GN 278-B30-AV-1-*	B30	40	8.5	M8	M8	40	95	40	43	13	20	GN 911-M8-32	150
GN 278-B40-AV-1-*	B40	65	10.5	M10	M10	65	148	65	70	17	32.5	GN 911-M10-55	690
GN 278-B42-AV-1-*	B42	65	10.5	M10	M10	65	148	65	70	17	32.5	GN 911-M10-55	675
GN 278-B45-AV-1-*	B45	65	10.5	M10	M10	65	148	65	70	17	32.5	GN 911-M10-55	640
GN 278-B48-AV-1-*	B48	65	10.5	M10	M10	65	148	65	70	17	32.5	GN 911-M10-55	600
GN 278-B50-AV-1-*	B50	65	10.5	M10	M10	65	148	65	70	17	32.5	GN 911-M10-55	580
GN 278-B20-IV-1-*	B20	40	8.5	M8	M8	40	95	40	43	13	20	GN 911-M8-32	180
GN 278-B25-IV-1-*	B25	40	8.5	M8	M8	40	95	40	43	13	20	GN 911-M8-32	160
GN 278-B30-IV-1-*	B30	40	8.5	M8	M8	40	95	40	43	13	20	GN 911-M8-32	140
GN 278-B40-IV-1-*	B40	65	10.5	M10	M10	65	148	65	70	17	32.5	GN 911-M10-55	685
GN 278-B42-IV-1-*	B42	65	10.5	M10	M10	65	148	65	70	17	32.5	GN 911-M10-55	665
GN 278-B45-IV-1-*	B45	65	10.5	M10	M10	65	148	65	70	17	32.5	GN 911-M10-55	620
GN 278-B48-IV-1-*	B48	65	10.5	M10	M10	65	148	65	70	17	32.5	GN 911-M10-55	585
GN 278-B50-IV-1-*	B50	65	10.5	M10	M10	65	148	65	70	17	32.5	GN 911-M10-55	565

* Complete the description of the standard item needed by adding the finish of the connector clamps: BL (blank) or SW (black).

Standard Elements	Main dimensions											Clamping kits for d ₃	
Description	d ₁ Bore B	b Swivel width	d ₂	d ₃	d ₄	k	l ₁	l ₂	m	s	t		g
GN 278-B20-OZ-2-*	B20	40	8.5	M8	M8	40	95	40	43	13	20	GN 911-M8-32	185
GN 278-B25-OZ-2-*	B25	40	8.5	M8	M8	40	95	40	43	13	20	GN 911-M8-32	170
GN 278-B30-OZ-2-*	B30	40	8.5	M8	M8	40	95	40	43	13	20	GN 911-M8-32	145
GN 278-B40-OZ-2-*	B40	65	10.5	M10	M10	65	148	65	70	17	32.5	GN 911-M10-55	705
GN 278-B42-OZ-2-*	B42	65	10.5	M10	M10	65	148	65	70	17	32.5	GN 911-M10-55	675
GN 278-B45-OZ-2-*	B45	65	10.5	M10	M10	65	148	65	70	17	32.5	GN 911-M10-55	645
GN 278-B48-OZ-2-*	B48	65	10.5	M10	M10	65	148	65	70	17	32.5	GN 911-M10-55	610
GN 278-B50-OZ-2-*	B50	65	10.5	M10	M10	65	148	65	70	17	32.5	GN 911-M10-55	585
GN 278-B20-MZ-2-*	B20	40	8.5	M8	M 8	40	95	40	43	13	20	GN 911-M8-32	185
GN 278-B25-MZ-2-*	B25	40	8.5	M8	M 8	40	95	40	43	13	20	GN 911-M8-32	170
GN 278-B30-MZ-2-*	B30	40	8.5	M8	M 8	40	95	40	43	13	20	GN 911-M8-32	145
GN 278-B40-MZ-2-*	B40	65	10.5	M10	M10	65	148	65	70	17	32.5	GN 911-M10-55	695
GN 278-B42-MZ-2-*	B42	65	10.5	M10	M10	65	148	65	70	17	32.5	GN 911-M10-55	675
GN 278-B45-MZ-2-*	B45	65	10.5	M10	M10	65	148	65	70	17	32.5	GN 911-M10-55	645
GN 278-B48-MZ-2-*	B48	65	10.5	M10	M10	65	148	65	70	17	32.5	GN 911-M10-55	605
GN 278-B50-MZ-2-*	B50	65	10.5	M10	M10	65	148	65	70	17	32.5	GN 911-M10-55	575
GN 278-B20-AV-2-*	B20	40	8.5	M8	M8	40	95	40	43	13	20	GN 911-M8-32	190
GN 278-B25-AV-2-*	B25	40	8.5	M8	M8	40	95	40	43	13	20	GN 911-M8-32	170
GN 278-B30-AV-2-*	B30	40	8.5	M8	M8	40	95	40	43	13	20	GN 911-M8-32	150
GN 278-B40-AV-2-*	B40	65	10.5	M10	M10	65	148	65	70	17	32.5	GN 911-M10-55	690
GN 278-B42-AV-2-*	B42	65	10.5	M10	M10	65	148	65	70	17	32.5	GN 911-M10-55	675
GN 278-B45-AV-2-*	B45	65	10.5	M10	M10	65	148	65	70	17	32.5	GN 911-M10-55	640
GN 278-B48-AV-2-*	B48	65	10.5	M10	M10	65	148	65	70	17	32.5	GN 911-M10-55	600
GN 278-B50-AV-2-*	B50	65	10.5	M10	M10	65	148	65	70	17	32.5	GN 911-M10-55	580
GN 278-B20-IV-2-*	B20	40	8.5	M8	M8	40	95	40	43	13	20	GN 911-M8-32	180
GN 278-B25-IV-2-*	B25	40	8.5	M8	M8	40	95	40	43	13	20	GN 911-M8-32	160
GN 278-B30-IV-2-*	B30	40	8.5	M8	M8	40	95	40	43	13	20	GN 911-M8-32	140
GN 278-B40-IV-2-*	B40	65	10.5	M10	M10	65	148	65	70	17	32.5	GN 911-M10-55	685
GN 278-B42-IV-2-*	B42	65	10.5	M10	M10	65	148	65	70	17	32.5	GN 911-M10-55	665
GN 278-B45-IV-2-*	B45	65	10.5	M10	M10	65	148	65	70	17	32.5	GN 911-M10-55	620
GN 278-B48-IV-2-*	B48	65	10.5	M10	M10	65	148	65	70	17	32.5	GN 911-M10-55	585
GN 278-B50-IV-2-*	B50	65	10.5	M10	M10	65	148	65	70	17	32.5	GN 911-M10-55	565

* Complete the description of the standard item needed by adding the finish of the connector clamps: BL (blank) or SW (black).