

GN 279

Swivel clamp connector

•Material

Aluminium.

•Finish

- Version **SW**: RAL 9005 black colour, matte finish, epoxy resin coating.
- Version **BL**: blank, matte shot-blasted.

•Type

Type **OZ**: without centring step.

•Clamping screw

- Identification no. **1**: with clamping screw DIN 912 and nut DIN 985, zinc-plated.
- Identification no. **2**: with AISI 304 stainless steel-clamping screw DIN 912 and nut DIN 985.

•Assembly

The standard clamping bolts are socket cap screws DIN 912, supplied assembled. They can be replaced by clamping kits GN 911 (description see table of dimensions).

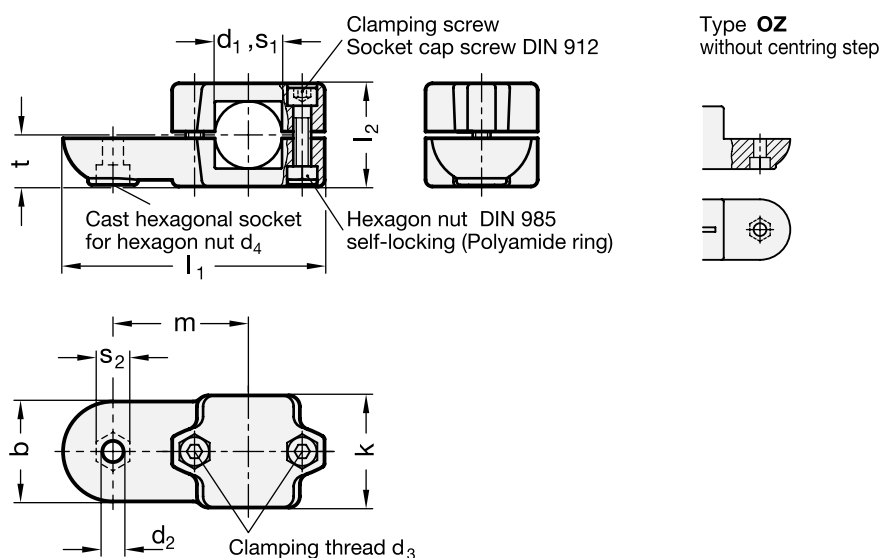
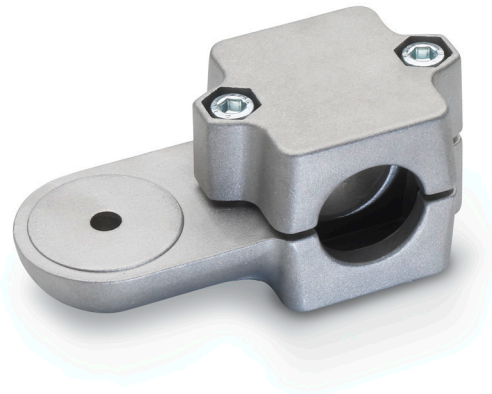
Features and applications


The clamping bore of the swivel clamp connectors GN 279 is unmachined and is designed for construction tubings GN 990 or DIN 2391, DIN 2395 and DIN 2462 respectively.

Swivel clamp connectors GN 279 can be assembled with swivel clamp connectors GN 272, GN 274 or GN 276 to create swivel clamp connector joints.

Accessories

- Construction tubings GN 990 (see page 109ff.).
- Clamping kits GN 911 (clamping handles GN 300.1 with distance bushing) see page 116.



Standard Elements	Main dimensions												Clamping lever for d ₃	
Description	d ₁	s ₁	b Swivel width	d ₂	d ₃	d ₄	k	l ₁	l ₂	m	s ₂	t		g
GN 279-B40-OZ-1-SW	B40	-	65	10.5	M10	M10	76	166.5	70	85	17	35	GN 911-M10-63	881
GN 279-B40-OZ-1-BL	B40	-	65	10.5	M10	M10	76	166.5	70	85	17	35	GN 911-M10-63	876
GN 279-B42-OZ-1-SW	B42	-	65	10.5	M10	M10	76	166.5	70	85	17	35	GN 911-M10-63	859
GN 279-B42-OZ-1-BL	B42	-	65	10.5	M10	M10	76	166.5	70	85	17	35	GN 911-M10-63	852
GN 279-B45-OZ-1-SW	B45	-	65	10.5	M10	M10	76	166.5	70	85	17	35	GN 911-M10-63	846
GN 279-B45-OZ-1-BL	B45	-	65	10.5	M10	M10	76	166.5	70	85	17	35	GN 911-M10-63	837
GN 279-B48-OZ-1-SW	B48	-	65	10.5	M10	M10	76	166.5	70	85	17	35	GN 191-M10-63	828
GN 279-B48-OZ-1-BL	B48	-	65	10.5	M10	M10	76	166.5	70	85	17	35	GN 911-M10-63	790
GN 279-B50-OZ-1-SW	B50	-	65	10.5	M10	M10	76	166.5	70	85	17	35	GN 911-M10-63	820
GN 279-B50-OZ-1-BL	B50	-	65	10.5	M10	M10	76	166.5	70	65	17	35	GN 911-M10-63	749
GN 279-V40-OZ-1-SW	-	V40	65	10.5	M10	M10	76	166.5	70	85	17	35	GN 911-M10-63	845
GN 279-V40-OZ-1-BL	-	V40	65	10.5	M10	M10	76	166.5	70	85	17	35	GN 911-M10-63	840
GN 279-V45-OZ-1-SW	-	V45	65	10.5	M10	M10	76	166.5	70	85	17	35	GN 911-M10-63	802
GN 279-V45-OZ-1-BL	-	V45	65	10.5	M10	M10	76	166.5	70	85	17	35	GN 911-M10-63	796
GN 279-V50-OZ-1-SW	-	V50	65	10.5	M10	M10	76	166.5	70	85	17	35	GN 911-M10-63	767
GN 279-V50-OZ-1-BL	-	V50	65	10.5	M10	M10	76	166.5	70	85	17	35	GN 911-M10-63	756
GN 279-B40-OZ-2-SW	B40	-	65	10.5	M10	M10	76	166.5	70	85	17	35	GN 911-M10-63	881
GN 279-B40-OZ-2-BL	B40	-	65	10.5	M10	M10	76	166.5	70	85	17	35	GN 911-M10-63	876
GN 279-B42-OZ-2-SW	B42	-	65	10.5	M10	M10	76	166.5	70	85	17	35	GN 911-M10-63	859
GN 279-B42-OZ-2-BL	B42	-	65	10.5	M10	M10	76	166.5	70	85	17	35	GN 911-M10-63	852
GN 279-B45-OZ-2-SW	B45	-	65	10.5	M10	M10	76	166.5	70	85	17	35	GN 911-M10-63	846
GN 279-B45-OZ-2-BL	B45	-	65	10.5	M10	M10	76	166.5	70	85	17	35	GN 911-M10-63	837
GN 279-B48-OZ-2-SW	B48	-	65	10.5	M10	M10	76	166.5	70	85	17	35	GN 911-M10-63	828
GN 279-B48-OZ-2-BL	B48	-	65	10.5	M10	M10	76	166.5	70	85	17	35	GN 911-M10-63	790
GN 279-B50-OZ-2-SW	B50	-	65	10.5	M10	M10	76	166.5	70	85	17	35	GN 911-M10-63	820
GN 279-B50-OZ-2-BL	B50	-	65	10.5	M10	M10	76	166.5	70	85	17	35	GN 911-M10-63	749
GN 279-V40-OZ-2-SW	-	V40	65	10.5	M10	M10	76	166.5	70	85	17	35	GN 911-M10-63	845
GN 279-V40-OZ-2-BL	-	V40	65	10.5	M10	M10	76	166.5	70	85	17	35	GN 911-M10-63	840
GN 279-V45-OZ-2-SW	-	V45	65	10.5	M10	M10	76	166.5	70	85	17	35	GN 911-M10-63	802
GN 279-V45-OZ-2-BL	-	V45	65	10.5	M10	M10	76	166.5	70	85	17	35	GN 911-M10-63	796
GN 279-V50-OZ-2-SW	-	V50	65	10.5	M10	M10	76	166.5	70	85	17	35	GN 911-M10-63	767
GN 279-V50-OZ-2-BL	-	V50	65	10.5	M10	M10	76	166.5	70	85	17	35	GN 911-M10-63	756