

GN 276

Swivel clamp connectors

70

Tube clamp connectors, Linear actuators

•Material

Aluminium.

•Finish

- Version **SW**: RAL 9005 black colour, matte finish, epoxy resin coating.
- Version **BL**: blank, matte shot-blasted.

•Types

- Type **OZ**: without centring step.
- Type **MZ**: with centring step.
- Type **AV**: with male serration.
- Type **IV**: with female serration.

•Clamping screw

- Identification no. **1**: with clamping screw DIN 912 and nut DIN 985, zinc-plated.
- Identification no. **2**: with AISI 304 stainless steel-clamping screw DIN 912 and nut DIN 985.

•Assembly

The standard clamping bolts are socket cap screws DIN 912, supplied assembled. They can be replaced by clamping kits GN 911 (description see table of dimensions).

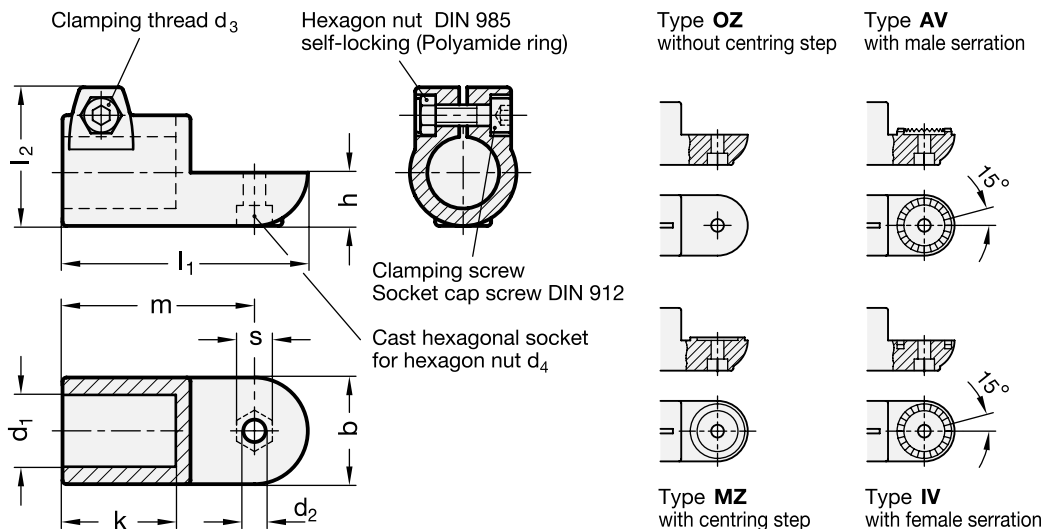
Features and applications


Swivel clamp connectors GN 276 can be assembled with swivel clamp connectors GN 272, GN 274 or GN 278 to create swivel clamp connector joints.

The clamping bore of the swivel clamp connectors GN 276 is machined and designed for construction tubings GN 990 or DIN 2391, DIN 2395 and DIN 2462 respectively.


Accessories

- Construction tubings GN 990 (see page 109ff.).
- Clamping kits GN 911 (clamping handles GN 300.1 with distance bushing) see page 116.



Standard Elements	Main dimensions											Clamping kits for d3	
Description	d1	b Swivel width	d2	d3	d4	h	k	l1	l2	m	s		g
GN 276-B20-OZ-1-*	B20	40	8.5	M8	M8	20	42.5	92	52	72	13	GN 911-M8-32	210
GN 276-B25-OZ-1-*	B25	40	8.5	M8	M8	20	42.5	92	52	72	13	GN 911-M8-32	185
GN 276-B30-OZ-1-*	B30	40	8.5	M8	M8	20	42.5	92	52	72	13	GN 911-M8-32	160
GN 276-B40-OZ-1-*	B40	65	10.5	M10	M10	32.5	74	148	78	115	17	GN 911-M10-55	775
GN 276-B42-OZ-1-*	B42	65	10.5	M10	M10	32.5	74	148	78	115	17	GN 911-M10-55	750
GN 276-B45-OZ-1-*	B45	65	10.5	M10	M10	32.5	74	148	78	115	17	GN 911-M10-55	725
GN 276-B48-OZ-1-*	B48	65	10.5	M10	M10	32.5	74	148	78	115	17	GN 911-M10-55	675
GN 276-B50-OZ-1-*	B50	65	10.5	M10	M10	32.5	74	148	78	115	17	GN 911-M10-55	650
GN 276-B20-MZ-1-*	B20	40	8.5	M8	M8	20	42.5	92	52	72	13	GN 911-M8-32	210
GN 276-B25-MZ-1-*	B25	40	8.5	M8	M8	20	42.5	92	52	72	13	GN 911-M8-32	190
GN 276-B30-MZ-1-*	B30	40	8.5	M8	M8	20	42.5	92	52	72	13	GN 911-M8-32	160
GN 276-B40-MZ-1-*	B40	65	10.5	M10	M10	32.5	74	148	78	115	17	GN 911-M10-55	765
GN 276-B42-MZ-1-*	B42	65	10.5	M10	M10	32.5	74	148	78	115	17	GN 911-M10-55	755
GN 276-B45-MZ-1-*	B45	65	10.5	M10	M10	32.5	74	148	78	115	17	GN 911-M10-55	705
GN 276-B48-MZ-1-*	B48	65	10.5	M10	M10	32.5	74	148	78	115	17	GN 911-M10-55	665
GN 276-B50-MZ-1-*	B50	65	10.5	M10	M10	32.5	74	148	78	115	17	GN 911-M10-55	630
GN 276-B20-AV-1-*	B20	40	8.5	M8	M8	20	42.5	92	52	72	13	GN 911-M8-32	210
GN 276-B25-AV-1-*	B25	40	8.5	M8	M8	20	42.5	92	52	72	13	GN 911-M8-32	190
GN 276-B30-AV-1-*	B30	40	8.5	M8	M8	20	42.5	92	52	72	13	GN 911-M8-32	165
GN 276-B40-AV-1-*	B40	65	10.5	M10	M10	32.5	74	148	78	115	17	GN 911-M10-55	770
GN 276-B42-AV-1-*	B42	65	10.5	M10	M10	32.5	74	148	78	115	17	GN 911-M10-55	755
GN 276-B45-AV-1-*	B45	65	10.5	M10	M10	32.5	74	148	78	115	17	GN 911-M10-55	715
GN 276-B48-AV-1-*	B48	65	10.5	M10	M10	32.5	74	148	78	115	17	GN 911-M10-55	665
GN 276-B50-AV-1-*	B50	65	10.5	M10	M10	32.5	74	148	78	115	17	GN 911-M10-55	660
GN 276-B20-IV-1-*	B20	40	8.5	M8	M8	20	42.5	92	52	72	13	GN 911-M8-32	200
GN 276-B25-IV-1-*	B25	40	8.5	M8	M8	20	42.5	92	52	72	13	GN 911-M8-32	180
GN 276-B30-IV-1-*	B30	40	8.5	M8	M8	20	42.5	92	52	72	13	GN 911-M8-32	155
GN 276-B40-IV-1-*	B40	65	10.5	M10	M10	32.5	74	148	78	115	17	GN 911-M10-55	760
GN 276-B42-IV-1-*	B42	65	10.5	M10	M10	32.5	74	148	78	115	17	GN 911-M10-55	740
GN 276-B45-IV-1-*	B45	65	10.5	M10	M10	32.5	74	148	78	115	17	GN 911-M10-55	700
GN 276-B48-IV-1-*	B48	65	10.5	M10	M10	32.5	74	148	78	115	17	GN 911-M10-55	655
GN 276-B50-IV-1-*	B50	65	10.5	M10	M10	32.5	74	148	78	115	17	GN 911-M10-55	650

* Complete the description of the standard item needed by adding the finish of the connector clamps: BL (blank) or SW (black).

Standard Elements	Main dimensions											Clamping kits for d3	
Description	d1	b Swivel width	d2	d3	d4	h	k	l1	l2	m	s		g
GN 276-B20-OZ-2-*	B20	40	8.5	M8	M8	20	42.5	92	52	72	13	GN 911-M8-32	210
GN 276-B25-OZ-2-*	B25	40	8.5	M8	M8	20	42.5	92	52	72	13	GN 911-M8-32	185
GN 276-B30-OZ-2-*	B30	40	8.5	M8	M8	20	42.5	92	52	72	13	GN 911-M8-32	160
GN 276-B40-OZ-2-*	B40	65	10.5	M10	M10	32.5	74	148	78	115	17	GN 911-M10-55	775
GN 276-B42-OZ-2-*	B42	65	10.5	M10	M10	32.5	74	148	78	115	17	GN 911-M10-55	750
GN 276-B45-OZ-2-*	B45	65	10.5	M10	M10	32.5	74	148	78	115	17	GN 911-M10-55	725
GN 276-B48-OZ-2-*	B48	65	10.5	M10	M10	32.5	74	148	78	115	17	GN 911-M10-55	675
GN 276-B50-OZ-2-*	B50	65	10.5	M10	M10	32.5	74	148	78	115	17	GN 911-M10-55	650
GN 276-B20-MZ-2-*	B20	40	8.5	M8	M8	20	42.5	92	52	72	13	GN 911-M8-32	210
GN 276-B25-MZ-2-*	B25	40	8.5	M8	M8	20	42.5	92	52	72	13	GN 911-M8-32	190
GN 276-B30-MZ-2-*	B30	40	8.5	M8	M8	20	42.5	92	52	72	13	GN 911-M8-32	160
GN 276-B40-MZ-2-*	B40	65	10.5	M10	M10	32.5	74	148	78	115	17	GN 911-M10-55	765
GN 276-B42-MZ-2-*	B42	65	10.5	M10	M10	32.5	74	148	78	115	17	GN 911-M10-55	755
GN 276-B45-MZ-2-*	B45	65	10.5	M10	M10	32.5	74	148	78	115	17	GN 911-M10-55	705
GN 276-B48-MZ-2-*	B48	65	10.5	M10	M10	32.5	74	148	78	115	17	GN 911-M10-55	665
GN 276-B50-MZ-2-*	B50	65	10.5	M10	M10	32.5	74	148	78	115	17	GN 911-M10-55	630
GN 276-B20-AV-2-*	B20	40	8.5	M8	M8	20	42.5	92	52	72	13	GN 911-M8-32	210
GN 276-B25-AV-2-*	B25	40	8.5	M8	M8	20	42.5	92	52	72	13	GN 911-M8-32	190
GN 276-B30-AV-2-*	B30	40	8.5	M8	M8	20	42.5	92	52	72	13	GN 911-M8-32	165
GN 276-B40-AV-2-*	B40	65	10.5	M10	M10	32.5	74	148	78	115	17	GN 911-M10-55	770
GN 276-B42-AV-2-*	B42	65	10.5	M10	M10	32.5	74	148	78	115	17	GN 911-M10-55	755
GN 276-B45-AV-2-*	B45	65	10.5	M10	M10	32.5	74	148	78	115	17	GN 911-M10-55	715
GN 276-B48-AV-2-*	B48	65	10.5	M10	M10	32.5	74	148	78	115	17	GN 911-M10-55	665
GN 276-B50-AV-2-*	B50	65	10.5	M10	M10	32.5	74	148	78	115	17	GN 911-M10-55	660
GN 276-B20-IV-2-*	B20	40	8.5	M8	M8	20	42.5	92	52	72	13	GN 911-M8-32	200
GN 276-B25-IV-2-*	B25	40	8.5	M8	M8	20	42.5	92	52	72	13	GN 911-M8-32	180
GN 276-B30-IV-2-*	B30	40	8.5	M8	M8	20	42.5	92	52	72	13	GN 911-M8-32	155
GN 276-B40-IV-2-*	B40	65	10.5	M10	M10	32.5	74	148	78	115	17	GN 911-M10-55	760
GN 276-B42-IV-2-*	B42	65	10.5	M10	M10	32.5	74	148	78	115	17	GN 911-M10-55	740
GN 276-B45-IV-2-*	B45	65	10.5	M10	M10	32.5	74	148	78	115	17	GN 911-M10-55	700
GN 276-B48-IV-2-*	B48	65	10.5	M10	M10	32.5	74	148	78	115	17	GN 911-M10-55	655
GN 276-B50-IV-2-*	B50	65	10.5	M10	M10	32.5	74	148	78	115	17	GN 911-M10-55	650

* Complete the description of the standard item needed by adding the finish of the connector clamps: BL (blank) or SW (black).