

GN 272

Swivel clamp connector bases

•Material

Aluminium.

•Finish

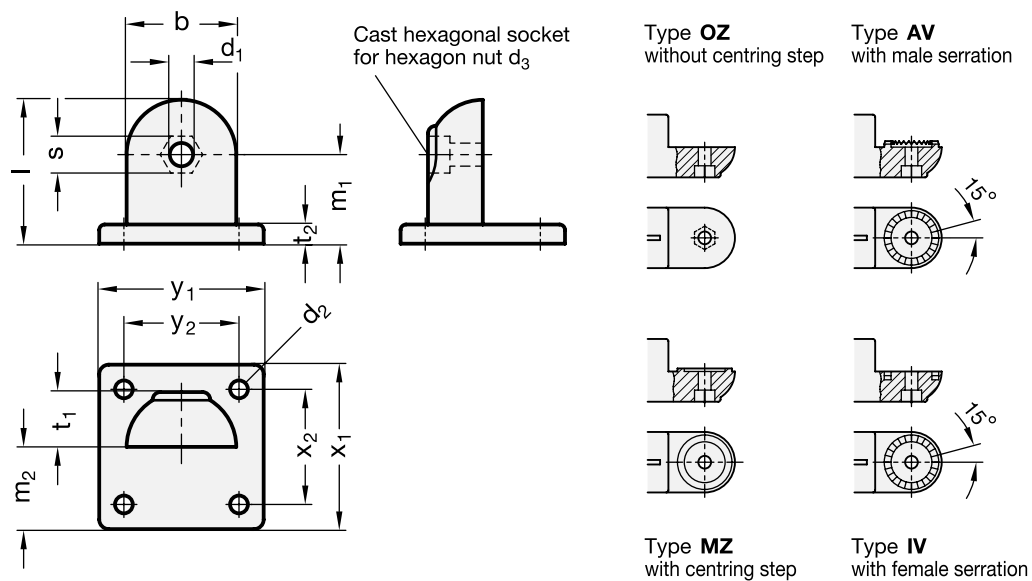
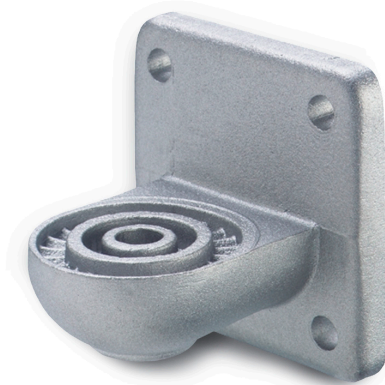
- Version **SW**: RAL 9005 black colour, matte finish, epoxy resin coating.
- Version **BL**: blank, matte shot-blasted.

•Types

- Type **OZ**: without centring step.
- Type **MZ**: with centring step.
- Type **AV**: with male serration.
- Type **IV**: with female serration.

Features and applications

Swivel clamp connector bases GN 272 can be assembled with the swivel clamp connectors GN 274, GN 276 or GN 278 to create swivel clamp connector joints.



Standard Elements	Main dimensions														\triangle
Description	b Swivel width	d1	d2	d3	l	m1	m2	t1	t2	s	x1	x2	y1	y2	g
GN 272-40-OZ-SW	40	8.5	6.5	M8	52.5	32.5	30	20	7	13	60	42	60	42	120
GN 272-40-OZ-BL	40	8.5	6.5	M8	52.5	32.5	30	20	7	13	60	42	60	42	120
GN 272-65-OZ-SW	65	10.2	11	M10	84.5	52	52.5	32.5	14	17	105	74	105	74	555
GN 272-65-OZ-BL	65	10.2	11	M10	84.5	52	52.5	32.5	14	17	105	74	105	74	555
GN 272-40-MZ-SW	40	8.5	6.5	M8	52.5	32.5	30	20	7	13	60	42	60	42	120
GN 272-40-MZ-BL	40	8.5	6.5	M8	52.5	32.5	30	20	7	13	60	42	60	42	120
GN 272-65-MZ-SW	65	10.2	11	M10	84.5	52	52.5	32.5	14	17	105	74	105	74	555
GN 272-65-MZ-BL	65	10.2	11	M10	84.5	52	52.5	32.5	14	17	105	74	105	74	555
GN 272-40-AV-SW	40	8.5	6.5	M8	52.5	32.5	30	20	7	13	60	42	60	42	120
GN 272-40-AV-BL	40	8.5	6.5	M8	52.5	32.5	30	20	7	13	60	42	60	42	120
GN 272-65-AV-SW	65	10.2	11	M10	84.5	52	52.5	32.5	14	17	105	74	105	74	555
GN 272-65-AV-BL	65	10.2	11	M10	84.5	52	52.5	32.5	14	17	105	74	105	74	555
GN 272-40-IV-SW	40	8.5	6.5	M8	52.5	32.5	30	20	7	13	60	42	60	42	110
GN 272-40-IV-BL	40	8.5	6.5	M8	52.5	32.5	30	20	7	13	60	42	60	42	110
GN 272-65-IV-SW	65	10.2	11	M10	84.5	52	52.5	32.5	14	17	105	74	105	74	535
GN 272-65-IV-BL	65	10.2	11	M10	84.5	52	52.5	32.5	14	17	105	74	105	74	535