

GN 231

Tube supports

•Material

Aluminium.

•Finish

- Version **SW**: RAL 9005 black, matte finish, epoxy resin coating.
- Version **BL**: blank, matte shot-blasted.

•Clamping screws

- Identification no. **1**: with two clamping screws DIN 912 and nuts DIN 985, zinc-plated.
- Identification no. **2**: with two AISI 304 stainless steel-clamping screws DIN 912 and nuts DIN 985.

•Assembly

The standard clamping bolts are socket cap screws DIN 912, supplied assembled. They can be replaced by clamping kits GN 911 (description see table of dimensions).

Features and applications

The clamping bores of the tube supports GN 231 are unmachined and designed for construction tubings GN 990 or DIN 2391, DIN 2395 and DIN 2462 respectively.

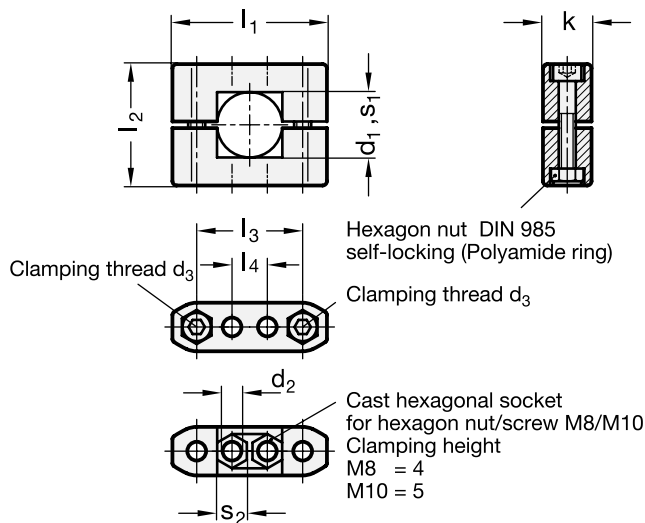
Accessories

- Construction tubings GN 990 (see page 109ff.).
- Clamping kits GN 911 (clamping handles GN 300.1 with distance bushing) see page 116.

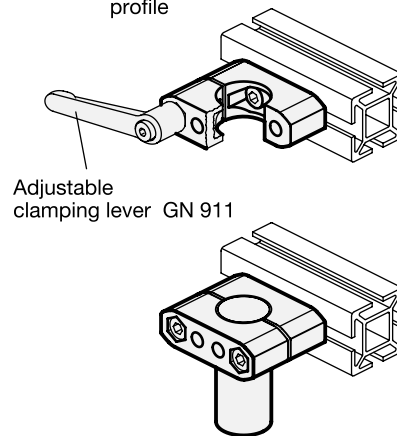


56

Tube clamp connectors, Linear actuators



Application example:
Tube support
mounted on aluminium
profile



Standard Elements	Main dimensions										Clamping kits for d3	△△
Description	d1	s1	d2	d3	k Clamping length	l1	l2	l3	l4	s2		g
GN 231-B20-1-*	B20	-	8.5	M8	22	70	55	48	16	13	GN 911-M8-50	170
GN 231-B25-1-*	B25	-	8.5	M8	22	70	55	48	16	13	GN 911-M8-50	165
GN 231-B30-1-*	B30	-	8.5	M8	22	70	55	48	16	13	GN 911-M8-50	160
GN 231-B40-1-*	B40	-	11	M10	27	100	80	73	30	17	GN 911-M10-70	385
GN 231-B42-1-*	B42	-	11	M10	27	100	80	73	30	17	GN 911-M10-70	380
GN 231-B45-1-*	B45	-	11	M10	27	100	80	73	30	17	GN 911-M10-70	375
GN 231-B48-1-*	B48	-	11	M10	27	100	80	73	30	17	GN 911-M10-70	370
GN 231-B50-1-*	B50	-	11	M10	27	100	80	73	30	17	GN 911-M10-70	360
GN 231-B55-1-*	B55	-	11	M10	27	100	90	78	30	17	GN 911-M10-80	400
GN 231-B60-1-*	B60	-	11	M10	27	100	90	78	30	17	GN 911-M10-80	385
GN 231-V20-1-*	-	V20	8.5	M8	22	70	55	48	16	13	GN 911-M8-50	170
GN 231-V25-1-*	-	V25	8.5	M8	22	70	55	48	16	13	GN 911-M8-50	165
GN 231-V30-1-*	-	V30	8.5	M8	22	70	55	48	16	13	GN 911-M8-50	155
GN 231-V40-1-*	-	V40	11	M10	27	100	80	73	30	17	GN 911-M10-70	380
GN 231-V45-1-*	-	V45	11	M10	27	100	80	73	30	17	GN 911-M10-70	365
GN 231-V50-1-*	-	V50	11	M10	27	100	80	73	30	17	GN 911-M10-70	350
GN 231-V55-1-*	-	V55	11	M10	27	100	90	78	30	17	GN 911-M10-80	358
GN 231-V60-1-*	-	V60	11	M10	27	100	90	78	30	17	GN 911-M10-80	342
GN 231-B20-2-*	B20	-	8.5	M8	22	70	55	48	16	13	GN 911-M8-50	170
GN 231-B25-2-*	B25	-	8.5	M8	22	70	55	48	16	13	GN 911-M8-50	166
GN 231-B30-2-*	B30	-	8.5	M8	22	70	55	48	16	13	GN 911-M8-50	160
GN 231-B40-2-*	B40	-	11	M10	27	100	80	73	30	17	GN 911-M10-70	384
GN 231-B42-2-*	B42	-	11	M10	27	100	80	73	30	17	GN 911-M10-70	375
GN 231-B45-2-*	B45	-	11	M10	27	100	80	73	30	17	GN 911-M10-70	375
GN 231-B48-2-*	B48	-	11	M10	27	100	80	73	30	17	GN 911-M10-70	362
GN 231-B50-2-*	B50	-	11	M10	27	100	80	73	30	17	GN 911-M10-70	408
GN 231-B55-2-*	B55	-	11	M10	27	100	90	78	30	17	GN 911-M10-80	400
GN 231-B60-2-*	B60	-	11	M10	27	100	90	78	30	17	GN 911-M10-80	385
GN 231-V20-2-*	-	V20	8.5	M8	22	70	55	48	16	13	GN 911-M8-50	170
GN 231-V25-2-*	-	V25	8.5	M8	22	70	55	48	16	13	GN 911-M8-50	170
GN 231-V30-2-*	-	V30	8.5	M8	22	70	55	48	16	13	GN 911-M8-50	156
GN 231-V40-2-*	-	V40	11	M10	27	100	80	73	30	17	GN 911-M10-70	378
GN 231-V45-2-*	-	V45	11	M10	27	100	80	73	30	17	GN 911-M10-70	364
GN 231-V50-2-*	-	V50	11	M10	27	100	80	73	30	17	GN 911-M10-70	348
GN 231-V55-2-*	-	V55	11	M10	27	100	90	78	30	17	GN 911-M10-80	358
GN 231-V60-2-*	-	V60	11	M10	27	100	90	78	30	17	GN 911-M10-80	342

* Complete the description of the standard item needed by adding the finish of the connector clamps: BL (blank) or SW (black).