

GN 195

T-angle connector clamps

•Material

Aluminium.

•Finish

- Version **SW**: RAL 9005 black colour, matte finish, epoxy resin coating.
- Version **BL**: blank, matte shot-blasted.

•Clamping screws

- Identification no. **1**: with six clamping screws DIN 912 and nuts DIN 985, zinc-plated.
- Identification no. **2**: with six AISI 304 stainless steel-clamping screws DIN 912 and nuts DIN 985.

•Assembly

The standard clamping bolts are socket cap screws DIN 912, supplied assembled. They can be replaced by clamping kits GN 911 (description see table of dimensions).

Features and applications

The clamping bores of the T-angle connector clamps GN 195 are unmachined and designed for construction tubings GN 990 or DIN 2391, DIN 2395 and DIN 2462 respectively.

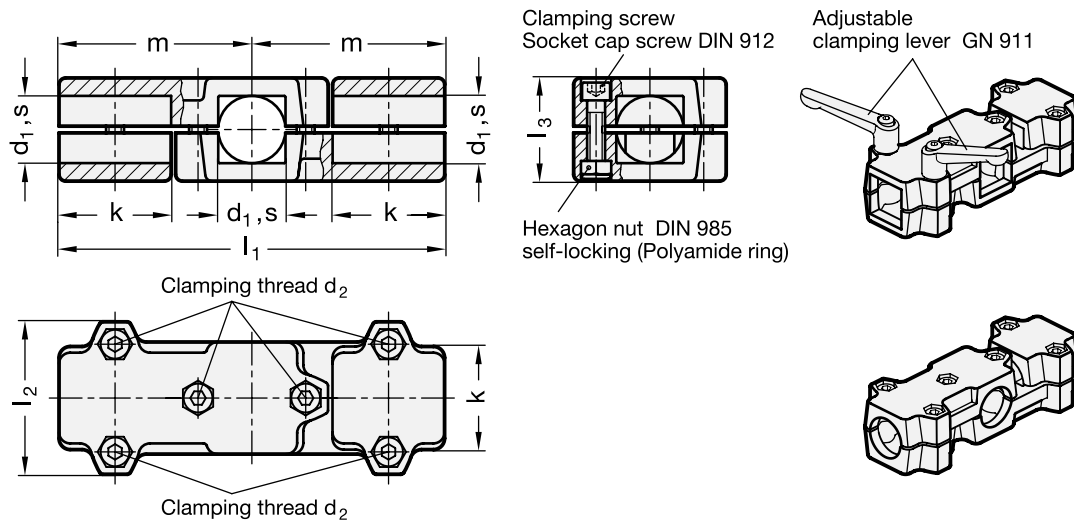
Accessories


- Construction tubings GN 990 (see page 109ff.).
- Clamping kits GN 911 (clamping handles GN 300.1 with distance bushing) see page 116.



54

Tube clamp connectors, Linear actuators



Standard Elements	Main dimensions								Clamping kits for d ₂	
Description	d ₁	s	k Clamping length	d ₂	l ₁	l ₂	l ₃	m		g
GN 195-B20-50-1-*	B20	-	50	M8	172	68	46	86	GN 911-M8-40	600
GN 195-B25-50-1-*	B25	-	50	M8	172	68	46	86	GN 911-M8-40	585
GN 195-B30-50-1-*	B30	-	50	M8	172	68	46	86	GN 911-M8-40	565
GN 195-B30-60-1-*	B30	-	60	M8	203	79	59	101.5	GN 911-M8-55	1128
GN 195-B32-60-1-*	B32	-	60	M8	203	79	59	101.5	GN 911-M8-55	1100
GN 195-B35-60-1-*	B35	-	60	M8	203	79	59	101.5	GN 911-M8-55	1038
GN 195-B40-60-1-*	B40	-	60	M8	203	79	59	101.5	GN 911-M8-55	950
GN 195-B40-76-1-*	B40	-	76	M10	254	98	70	127	GN 911-M10-63	1612
GN 195-B42-76-1-*	B42	-	76	M10	254	98	70	127	GN 911-M10-63	1586
GN 195-B45-76-1-*	B45	-	76	M10	254	98	70	127	GN 911-M10-63	1552
GN 195-B48-76-1-*	B48	-	76	M10	254	98	70	127	GN 911-M10-63	1510
GN 195-B50-76-1-*	B50	-	76	M10	254	98	70	127	GN 911-M10-63	1470
GN 195-V20-50-1-*	-	V20	50	M8	172	68	46	86	GN 911-M8-40	600
GN 195-V25-50-1-*	-	V25	50	M8	172	68	46	86	GN 911-M8-40	565
GN 195-V30-50-1-*	-	V30	50	M8	172	68	46	86	GN 911-M8-40	530
GN 195-V30-60-1-*	-	V30	60	M8	203	79	59	101.5	GN 911-M8-55	1098
GN 195-V35-60-1-*	-	V35	60	M8	203	79	59	101.5	GN 911-M8-55	1038
GN 195-V40-60-1-*	-	V40	60	M8	203	79	59	101.5	GN 911-M8-55	950
GN 195-V40-76-1-*	-	V40	76	M10	254	98	70	127	GN 911-M10-63	1550
GN 195-V45-76-1-*	-	V45	76	M10	254	98	70	127	GN 911-M10-63	1480
GN 195-V50-76-1-*	-	V50	76	M10	254	98	70	127	GN 911-M10-63	1390
GN 195-B20-50-2-*	B20	-	50	M8	172	68	46	86	GN 911-M8-40	600
GN 195-B25-50-2-*	B25	-	50	M8	172	68	46	86	GN 911-M8-40	585
GN 195-B30-50-2-*	B30	-	50	M8	172	68	46	86	GN 911-M8-40	565
GN 195-B30-60-2-*	B30	-	60	M8	203	79	59	101.5	GN 911-M8-55	1128
GN 195-B32-60-2-*	B32	-	60	M8	203	79	59	101.5	GN 911-M8-55	1100
GN 195-B35-60-2-*	B35	-	60	M8	203	79	59	101.5	GN 911-M8-55	1038
GN 195-B40-60-2-*	B40	-	60	M8	203	79	59	101.5	GN 911-M8-55	950
GN 195-B40-76-2-*	B40	-	76	M10	254	98	70	127	GN 911-M10-63	565
GN 195-B42-76-2-*	B42	-	76	M10	254	98	70	127	GN 911-M10-63	1586
GN 195-B45-76-2-*	B45	-	76	M10	254	98	70	127	GN 911-M10-63	1550
GN 195-B48-76-2-*	B48	-	76	M10	254	98	70	127	GN 911-M10-63	1510
GN 195-B50-76-2-*	B50	-	76	M10	254	98	70	127	GN 911-M10-63	1470
GN 195-V20-50-2-*	-	V20	50	M8	172	68	46	86	GN 911-M8-40	600
GN 195-V25-50-2-*	-	V25	50	M8	172	68	46	86	GN 911-M8-40	565
GN 195-V30-50-2-*	-	V30	50	M8	172	68	46	86	GN 911-M8-40	530
GN 195-V30-60-2-*	-	V30	60	M8	203	79	59	101.5	GN 911-M8-55	1098
GN 195-V35-60-2-*	-	V35	60	M8	203	79	59	101.5	GN 911-M8-55	1038
GN 195-V40-60-2-*	-	V40	60	M8	203	79	59	101.5	GN 911-M8-55	950
GN 195-V40-76-2-*	-	V40	76	M10	254	98	70	127	GN 911-M10-63	1550
GN 195-V45-76-2-*	-	V45	76	M10	254	98	70	127	GN 911-M10-63	1480
GN 195-V50-76-2-*	-	V50	76	M10	254	98	70	127	GN 911-M10-63	1390

* Complete the description of the standard item needed by adding the finish of the connector clamps: BL (blank) or SW (black).