

# GN 194

## T-angle connector clamps



### •Material

Aluminium.

### •Finish

- Version **SW**: RAL 9005 black colour, matte finish, epoxy resin coating.
- Version **BL**: blank, matte shot-blasted.

### •Clamping screws

- Identification no. **1**: with two clamping screws DIN 912 and nuts DIN 985, zinc-plated.
- Identification no. **2**: with two AISI 304 stainless steel-clamping screws DIN 912 and nuts DIN 985.

### •Assembly

The standard clamping bolts are socket cap screws DIN 912, supplied assembled. They can be replaced by clamping kits GN 911 (description see table of dimensions).

### Features and applications

The clamping bores of the T-angle connector clamps GN 194 are unmachined and designed for construction tubings GN 990 or DIN 2391, DIN 2395 and DIN 2462 respectively. The versions with square bores are also suitable for **profile systems**.

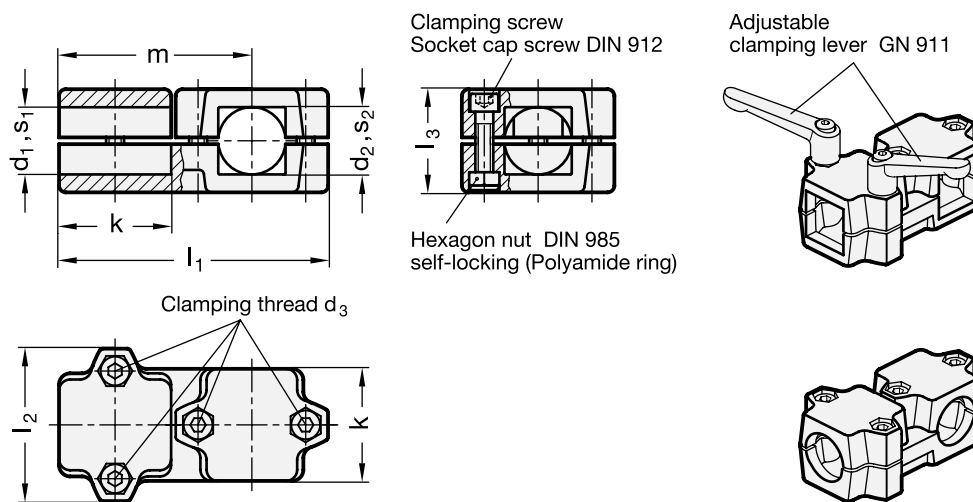
Bores and square bores of the same nominal size can be assembled in any combination. For instance, nominal size 20 has the following combination options: B20-B20, B20-V20, V20-B20 and V20-V20.

### Accessories

- Construction tubings GN 990 (see page 109ff.).
- Clamping kits GN 911 (clamping handles GN 300.1 with distance bushing see page 116).


51

Tube clamp connectors, Linear actuators



Standard Elements	Main dimensions										Clamping kits for d3	⚖	
Description	d1	s1	d2	s2	k Clamping length	d3	l1	l2	l3	m		g	
GN 194-B20-B20-50-1-*	B20	-	B20	-	50	M8	120	68	46	85		GN 911-M8-40	423
GN 194-B25-B25-50-1-*	B25	-	B25	-	50	M8	120	68	46	85		GN 911-M8-40	412
GN 194-B30-B30-50-1-*	B30	-	B30	-	50	M8	120	68	46	85		GN 911-M8-40	399
GN 194-B30-B30-60-1-*	B30	-	B30	-	60	M8	141	79	59	101.5		GN 911-M8-55	758
GN 194-B32-B32-60-1-*	B32	-	B32	-	60	M8	141	79	59	101.5		GN 911-M8-55	734
GN 194-B35-B35-60-1-*	B35	-	B35	-	60	M8	141	79	59	101.5		GN 911-M8-55	704
GN 194-B40-B40-60-1-*	B40	-	B40	-	60	M8	141	79	59	101.5		GN 911-M8-55	688
GN 194-B40-B40-76-1-*	B40	-	B40	-	76	M10	176	98	70	126		GN 911-M10-63	1123
GN 194-B42-B42-76-1-*	B42	-	B42	-	76	M10	176	98	70	126		GN 911-M10-63	1100
GN 194-B45-B45-76-1-*	B45	-	B45	-	76	M10	176	98	70	126		GN 911-M10-63	1080
GN 194-B48-B48-76-1-*	B48	-	B48	-	76	M10	176	98	70	126		GN 911-M10-63	1055
GN 194-B50-B50-76-1-*	B50	-	B50	-	76	M10	176	98	70	126		GN 911-M10-63	1028
GN 194-B20-V20-50-1-*	B20	-	-	V20	50	M8	120	68	46	85		GN 911-M8-40	423
GN 194-B25-V25-50-1-*	B25	-	-	V25	50	M8	120	68	46	85		GN 911-M8-40	395
GN 194-B30-V30-50-1-*	B30	-	-	V30	50	M8	120	68	46	85		GN 911-M8-40	342
GN 194-B30-V30-60-1-*	B30	-	-	V30	60	M8	141	79	59	101.5		GN 911-M8-55	746
GN 194-B35-V35-60-1-*	B35	-	-	V35	60	M8	141	79	59	101.5		GN 911-M8-55	713
GN 194-B40-V40-60-1-*	B40	-	-	V40	60	M8	141	79	59	101.5		GN 911-M8-55	700
GN 194-B40-V40-76-1-*	B40	-	-	V40	76	M10	176	98	70	126		GN 911-M10-63	1100
GN 194-B45-V45-76-1-*	B45	-	-	V45	76	M10	176	98	70	126		GN 911-M10-63	1065
GN 194-B50-V50-76-1-*	B50	-	-	V50	76	M10	176	98	70	126		GN 911-M10-63	1015
GN 194-V20-V20-50-1-*	-	V20	-	V20	50	M8	120	68	46	85		GN 911-M8-40	419
GN 194-V25-V25-50-1-*	-	V25	-	V25	50	M8	120	68	46	85		GN 911-M8-40	398
GN 194-V30-V30-50-1-*	-	V30	-	V30	50	M8	120	68	46	85		GN 911-M8-40	376
GN 194-V30-V30-60-1-*	-	V30	-	V30	60	M8	141	79	59	101.5		GN 911-M8-55	734
GN 194-V35-V35-60-1-*	-	V35	-	V35	60	M8	141	79	59	101.5		GN 911-M8-55	692
GN 194-V40-V40-60-1-*	-	V40	-	V40	60	M8	141	79	59	101.5		GN 911-M8-55	628
GN 194-V40-V40-76-1-*	-	V40	-	V40	76	M10	176	98	70	126		GN 911-M10-63	1079
GN 194-V45-V45-76-1-*	-	V45	-	V45	76	M10	176	98	70	126		GN 911-M10-63	1036
GN 194-V50-V50-76-1-*	-	V50	-	V50	76	M10	176	98	70	126		GN 911-M10-63	975
GN 194-V20-B20-50-1-*	-	V20	B20	-	50	M8	120	68	46	85		GN 911-M8-40	436
GN 194-V25-B25-50-1-*	-	V25	B25	-	50	M8	120	68	46	85		GN 911-M8-40	417
GN 194-V30-B30-50-1-*	-	V30	B30	-	50	M8	120	68	46	85		GN 911-M8-40	397
GN 194-V30-B30-60-1-*	-	V30	B30	-	60	M8	141	79	59	101.5		GN 911-M8-55	746
GN 194-V35-B35-60-1-*	-	V35	B35	-	60	M8	141	79	59	101.5		GN 911-M8-55	713
GN 194-V40-B40-60-1-*	-	V40	B40	-	60	M8	141	79	59	101.5		GN 911-M8-55	658
GN 194-V40-B40-76-1-*	-	V40	B40	-	76	M10	176	98	70	126		GN 911-M10-63	1100
GN 194-V45-B45-76-1-*	-	V45	B45	-	76	M10	176	98	70	126		GN 911-M10-63	1060
GN 194-V50-B50-76-1-*	-	V50	B50	-	76	M10	176	98	70	126		GN 911-M10-63	1005

\* Complete the description of the standard item needed by adding the finish of the connector clamps: BL (blank) or SW (black).

Standard Elements	Main dimensions										Clamping kits for d3	
Description	d1	s1	d2	s2	k Clamping length	d3	l1	l2	l3	m		g
GN 194-B20-B20-50-2-*	B20	-	B20	-	50	M8	120	68	46	85	GN 911-M8-40	423
GN 194-B25-B25-50-2-*	B25	-	B25	-	50	M8	120	68	46	85	GN 911-M8-40	412
GN 194-B30-B30-50-2-*	B30	-	B30	-	50	M8	120	68	46	85	GN 911-M8-40	399
GN 194-B30-B30-60-2-*	B30	-	B30	-	60	M8	141	79	59	101.5	GN 911-M8-55	758
GN 194-B32-B32-60-2-*	B32	-	B32	-	60	M8	141	79	59	101.5	GN 911-M8-55	734
GN 194-B35-B35-60-2-*	B35	-	B35	-	60	M8	141	79	59	101.5	GN 911-M8-55	704
GN 194-B40-B40-60-2-*	B40	-	B40	-	60	M8	141	79	59	101.5	GN 911-M8-55	688
GN 194-B40-B40-76-2-*	B40	-	B40	-	76	M10	176	98	70	126	GN 911-M10-63	1123
GN 194-B42-B42-76-2-*	B42	-	B42	-	76	M10	176	98	70	126	GN 911-M10-63	1100
GN 194-B45-B45-76-2-*	B45	-	B45	-	76	M10	176	98	70	126	GN 911-M10-63	1080
GN 194-B48-B48-76-2-*	B48	-	B48	-	76	M10	176	98	70	126	GN 911-M10-63	1050
GN 194-B50-B50-76-2-*	B50	-	B50	-	76	M10	176	98	70	126	GN 911-M10-63	1028
GN 194-B20-V20-50-2-*	B20	-	-	V20	50	M8	120	68	46	85	GN 911-M8-40	423
GN 194-B25-V25-50-2-*	B25	-	-	V25	50	M8	120	68	46	85	GN 911-M8-40	395
GN 194-B30-V30-50-2-*	B30	-	-	V30	50	M8	120	68	46	85	GN 911-M8-40	342
GN 194-B30-V30-60-2-*	B30	-	-	V30	60	M8	141	79	59	101.5	GN 911-M10-55	746
GN 194-B35-V35-60-2-*	B35	-	-	V35	60	M8	141	79	59	101.5	GN 911-M10-55	713
GN 194-B40-V40-60-2-*	B40	-	-	V40	60	M8	141	79	59	101.5	GN 911-M10-55	700
GN 194-B40-V40-76-2-*	B40	-	-	V40	76	M10	176	98	70	126	GN 911-M10-63	1100
GN 194-B45-V45-76-2-*	B45	-	-	V45	76	M10	176	98	70	126	GN 911-M10-63	1065
GN 194-B50-V50-76-2-*	B50	-	-	V50	76	M10	176	98	70	126	GN 911-M10-63	1015
GN 194-V20-V20-50-2-*	-	V20	-	V20	50	M8	120	68	46	85	GN 911-M8-40	419
GN 194-V25-V25-50-2-*	-	V25	-	V25	50	M8	120	68	46	85	GN 911-M8-40	398
GN 194-V30-V30-50-2-*	-	V30	-	V30	50	M8	120	68	46	85	GN 911-M8-40	376
GN 194-V30-V30-60-2-*	-	V30	-	V30	60	M8	141	79	59	101.5	GN 911-M8-55	734
GN 194-V35-V35-60-2-*	-	V35	-	V35	60	M8	141	79	59	101.5	GN 911-M8-55	692
GN 194-V40-V40-60-2-*	-	V40	-	V40	60	M8	141	79	59	101.5	GN 911-M8-55	628
GN 194-V40-V40-76-2-*	-	V40	-	V40	76	M10	176	98	70	126	GN 911-M10-63	1079
GN 194-V45-V45-76-2-*	-	V45	-	V45	76	M10	176	98	70	126	GN 911-M10-63	1036
GN 194-V50-V50-76-2-*	-	V50	-	V50	76	M10	176	98	70	126	GN 911-M10-63	975
GN 194-V20-B20-50-2-*	-	V20	B20	-	50	M8	120	68	46	85	GN 911-M8-40	436
GN 194-V25-B25-50-2-*	-	V25	B25	-	50	M8	120	68	46	85	GN 911-M8-40	417
GN 194-V30-B30-50-2-*	-	V30	B30	-	50	M8	120	68	46	85	GN 911-M8-40	397
GN 194-V30-B30-60-2-*	-	V30	B30	-	60	M8	141	79	59	101.5	GN 911-M8-55	746
GN 194-V35-B35-60-2-*	-	V35	B35	-	60	M8	141	79	59	101.5	GN 911-M8-55	713
GN 194-V40-B40-60-2-*	-	V40	B40	-	60	M8	141	79	59	101.5	GN 911-M8-55	658
GN 194-V40-B40-76-2-*	-	V40	B40	-	76	M10	176	98	70	126	GN 911-M10-63	1100
GN 194-V45-B45-76-2-*	-	V45	B45	-	76	M10	176	98	70	126	GN 911-M10-63	1060
GN 194-V50-B50-76-2-*	-	V50	B50	-	76	M10	176	98	70	126	GN 911-M10-63	1005

\* Complete the description of the standard item needed by adding the finish of the connector clamps: BL (blank) or SW (black).