

GN 193

T-angle connector clamps

•Material

Aluminium.

•Finish

- Version **SW**: RAL 9005 black colour, matte finish, epoxy resin coating.
- Version **BL**: blank, matte shot-blasted.

•Clamping screws

- Identification no. **1**: with two clamping screws DIN 912 and nuts DIN 985, zinc-plated.
- Identification no. **2**: with two AISI 304 stainless steel-clamping screws DIN 912 and nuts DIN 985.

•Assembly

The standard clamping bolts are socket cap screws DIN 912, supplied assembled. They can be replaced by clamping kits GN 911 (description see table of dimensions).

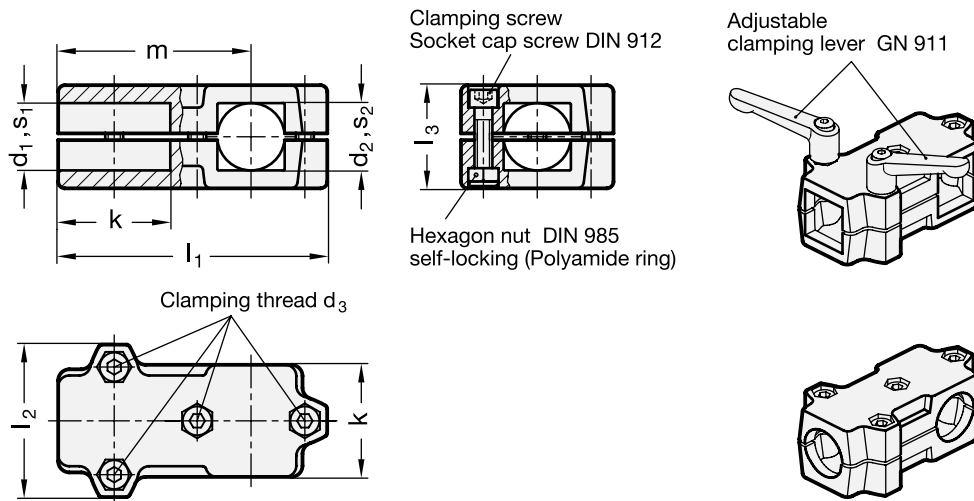
Features and applications


The clamping bores of the T-angle connector clamps GN 193 are unmachined and designed for construction tubings GN 990 or DIN 2391, DIN 2395 and DIN 2462 respectively. The versions with square bores are also suitable for **profile systems**.

Bores and square bores of the same nominal size can be assembled in any combination. For instance, nominal size 20 has the following combination options: B20-B20, B20-V20, V20-B20 and V20-V20.


Accessories

- Construction tubings GN 990 (see page 109ff.).
- Clamping kits GN 911 (clamping handles GN 300.1 with distance bushing) see page 116.



Standard Elements	Main dimensions										Clamping kits for d3	
Description	d1	s1	d2	s2	k Clamping length	d3	l1	l2	l3	m		g
GN 193-B20-B20-50-1-*	B20	-	B20	-	50	M8	120	68	46	85	GN 911-M8-40	446
GN 193-B25-B25-50-1-*	B25	-	B25	-	50	M8	120	68	46	85	GN 911-M8-40	436
GN 193-B30-B30-50-1-*	B30	-	B30	-	50	M8	120	68	46	85	GN 911-M8-40	422
GN 193-B30-B30-60-1-*	B30	-	B30	-	60	M8	141	79	59	101.5	GN 911-M8-55	742
GN 193-B32-B32-60-1-*	B32	-	B32	-	60	M8	141	79	59	101.5	GN 911-M8-55	730
GN 193-B35-B35-60-1-*	B35	-	B35	-	60	M8	141	79	59	101.5	GN 911-M8-55	696
GN 193-B40-B40-60-1-*	B40	-	B40	-	60	M8	141	79	59	101.5	GN 911-M8-55	684
GN 193-B40-B40-76-1-*	B40	-	B40	-	76	M10	176	98	70	126	GN 911-M10-63	1198
GN 193-B42-B42-76-1-*	B42	-	B42	-	76	M10	176	98	70	126	GN 911-M10-63	1188
GN 193-B45-B45-76-1-*	B45	-	B45	-	76	M10	176	98	70	126	GN 911-M10-63	1164
GN 193-B48-B48-76-1-*	B48	-	B48	-	76	M10	176	98	70	126	GN 911-M10-63	1134
GN 193-B50-B50-76-1-*	B50	-	B50	-	76	M10	176	98	70	126	GN 911-M10-63	1104
GN 193-B20-V20-50-1-*	B20	-	-	V20	50	M8	120	68	46	85	GN 911-M8-40	476
GN 193-B25-V25-50-1-*	B25	-	-	V25	50	M8	120	68	46	85	GN 911-M8-40	452
GN 193-B30-V30-50-1-*	B30	-	-	V30	50	M8	120	68	46	85	GN 911-M8-40	428
GN 193-B30-V30-60-1-*	B30	-	-	V30	60	M8	141	79	59	101.5	GN 911-M8-55	728
GN 193-B35-V35-60-1-*	B35	-	-	V35	60	M8	141	79	59	101.5	GN 911-M8-55	692
GN 193-B40-V40-60-1-*	B40	-	-	V40	60	M8	141	79	59	101.5	GN 911-M8-55	638
GN 193-B40-V40-76-1-*	B40	-	-	V40	76	M10	176	98	70	126	GN 911-M10-63	1118
GN 193-B45-V45-76-1-*	B45	-	-	V45	76	M10	176	98	70	126	GN 911-M10-63	1138
GN 193-B50-V50-76-1-*	B50	-	-	V50	76	M10	176	98	70	126	GN 911-M10-63	1086
GN 193-V20-V20-50-1-*	-	V20	-	V20	50	M8	120	68	46	85	GN 911-M8-40	430
GN 193-V25-V25-50-1-*	-	V25	-	V25	50	M8	120	68	46	85	GN 911-M8-40	420
GN 193-V30-V30-50-1-*	-	V30	-	V30	50	M8	120	68	46	85	GN 911-M8-40	410
GN 193-V30-V30-60-1-*	-	V30	-	V30	60	M8	141	79	59	101.5	GN 911-M8-55	728
GN 193-V35-V35-60-1-*	-	V35	-	V35	60	M8	141	79	59	101.5	GN 911-M8-55	692
GN 193-V40-V40-60-1-*	-	V40	-	V40	60	M8	141	79	59	101.5	GN 911-M8-55	638
GN 193-V40-V40-76-1-*	-	V40	-	V40	76	M10	176	98	70	126	GN 911-M10-63	1158
GN 193-V45-V45-76-1-*	-	V45	-	V45	76	M10	176	98	70	126	GN 911-M10-63	1104
GN 193-V50-V50-76-1-*	-	V50	-	V50	76	M10	176	98	70	126	GN 911-M10-63	1054
GN 193-V20-B20-50-1-*	-	V20	B20	-	50	M8	120	68	46	85	GN 911-M8-40	450
GN 193-V25-B25-50-1-*	-	V25	B25	-	50	M8	120	68	46	85	GN 911-M8-40	430
GN 193-V30-B30-50-1-*	-	V30	B30	-	50	M8	120	68	46	85	GN 911-M8-40	410
GN 193-V30-B30-60-1-*	-	V30	B30	-	60	M8	141	79	59	101.5	GN 911-M8-55	728
GN 193-V35-B35-60-1-*	-	V35	B35	-	60	M8	141	79	59	101.5	GN 911-M8-55	692
GN 193-V40-B40-60-1-*	-	V40	B40	-	60	M8	141	79	59	101.5	GN 911-M8-55	638
GN 193-V40-B40-76-1-*	-	V40	B40	-	76	M10	176	98	70	126	GN 911-M10-63	1150
GN 193-V45-B45-76-1-*	-	V45	B45	-	76	M10	176	98	70	126	GN 911-M10-63	1100
GN 193-V50-B50-76-1-*	-	V50	B50	-	76	M10	176	98	70	126	GN 911-M10-63	1070

* Complete the description of the standard item needed by adding the finish of the connector clamps: BL (blank) or SW (black).

Standard Elements	Main dimensions										Clamping kits for d3	
Description	d1	s1	d2	s2	k Clamping length	d3	l1	l2	l3	m		g
GN 193-B20-B20-50-2-*	B20	-	B20	-	50	M8	120	68	46	85	GN 911-M8-40	446
GN 193-B25-B25-50-2-*	B25	-	B25	-	50	M8	120	68	46	85	GN 911-M8-40	436
GN 193-B30-B30-50-2-*	B30	-	B30	-	50	M8	120	68	46	85	GN 911-M8-40	422
GN 193-B30-B30-60-2-*	B30	-	B30	-	60	M8	141	79	59	101.5	GN 911-M8-55	742
GN 193-B32-B32-60-2-*	B32	-	B32	-	60	M8	141	79	59	101.5	GN 911-M8-55	730
GN 193-B35-B35-60-2-*	B35	-	B35	-	60	M8	141	79	59	101.5	GN 911-M8-55	696
GN 193-B40-B40-60-2-*	B40	-	B40	-	60	M8	141	79	59	101.5	GN 911-M8-55	684
GN 193-B40-B40-76-2-*	B40	-	B40	-	76	M10	176	98	70	126	GN 911-M10-63	1198
GN 193-B42-B42-76-2-*	B42	-	B42	-	76	M10	176	98	70	126	GN 911-M10-63	1188
GN 193-B45-B45-76-2-*	B45	-	B45	-	76	M10	176	98	70	126	GN 911-M10-63	1164
GN 193-B48-B48-76-2-*	B48	-	B48	-	76	M10	176	98	70	126	GN 911-M10-63	1134
GN 193-B50-B50-76-2-*	B50	-	B50	-	76	M10	176	98	70	126	GN 911-M10-63	1104
GN 193-B20-V20-50-2-*	B20	-	-	V20	50	M8	120	68	46	85	GN 911-M8-40	476
GN 193-B25-V25-50-2-*	B25	-	-	V25	50	M8	120	68	46	85	GN 911-M8-40	452
GN 193-B30-V30-50-2-*	B30	-	-	V30	50	M8	120	68	46	85	GN 911-M8-40	540
GN 193-B30-V30-60-2-*	B30	-	-	V30	60	M8	141	79	59	101.5	GN 911-M10-55	728
GN 193-B35-V35-60-2-*	B35	-	-	V35	60	M8	141	79	59	101.5	GN 911-M10-55	696
GN 193-B40-V40-60-2-*	B40	-	-	V40	60	M8	141	79	59	101.5	GN 911-M10-55	638
GN 193-B40-V40-76-2-*	B40	-	-	V40	76	M10	176	98	70	126	GN 911-M10-63	1118
GN 193-B45-V45-76-2-*	B45	-	-	V45	76	M10	176	98	70	126	GN 911-M10-63	1138
GN 193-B50-V50-76-2-*	B50	-	-	V50	76	M10	176	98	70	126	GN 911-M10-63	1086
GN 193-V20-V20-50-2-*	-	V20	-	V20	50	M8	120	68	46	85	GN 911-M8-40	430
GN 193-V25-V25-50-2-*	-	V25	-	V25	50	M8	120	68	46	85	GN 911-M8-40	420
GN 193-V30-V30-50-2-*	-	V30	-	V30	50	M8	120	68	46	85	GN 911-M8-40	410
GN 193-V30-V30-60-2-*	-	V30	-	V30	60	M8	141	79	59	101.5	GN 911-M8-55	728
GN 193-V35-V35-60-2-*	-	V35	-	V35	60	M8	141	79	59	101.5	GN 911-M8-55	692
GN 193-V40-V40-60-2-*	-	V40	-	V40	60	M8	141	79	59	101.5	GN 911-M8-55	638
GN 193-V40-V40-76-2-*	-	V40	-	V40	76	M10	176	98	70	126	GN 911-M10-63	1158
GN 193-V45-V45-76-2-*	-	V45	-	V45	76	M10	176	98	70	126	GN 911-M10-63	1104
GN 193-V50-V50-76-2-*	-	V50	-	V50	76	M10	176	98	70	126	GN 911-M10-63	1054
GN 193-V20-B20-50-2-*	-	V20	B20	-	50	M8	120	68	46	85	GN 911-M8-40	450
GN 193-V25-B25-50-2-*	-	V25	B25	-	50	M8	120	68	46	85	GN 911-M8-40	430
GN 193-V30-B30-50-2-*	-	V30	B30	-	50	M8	120	68	46	85	GN 911-M8-40	410
GN 193-V30-B30-60-2-*	-	V30	B30	-	60	M8	141	79	59	101.5	GN 911-M8-55	728
GN 193-V35-B35-60-2-*	-	V35	B35	-	60	M8	141	79	59	101.5	GN 911-M8-55	692
GN 193-V40-B40-60-2-*	-	V40	B40	-	60	M8	141	79	59	101.5	GN 911-M8-55	638
GN 193-V40-B40-76-2-*	-	V40	B40	-	76	M10	176	98	70	126	GN 911-M10-63	1150
GN 193-V45-B45-76-2-*	-	V45	B45	-	76	M10	176	98	70	126	GN 911-M10-63	1100
GN 193-V50-B50-76-2-*	-	V50	B50	-	76	M10	176	98	70	126	GN 911-M10-63	1070

* Complete the description of the standard item needed by adding the finish of the connector clamps: BL (blank) or SW (black).