

# GN 192

## T-angle connector clamps

### •Material

Aluminium.

### •Finish

- Version **SW**: RAL 9005 black colour, matte finish, epoxy resin coating.
- Version **BL**: blank, matte shot-blasted.

### •Clamping screws

- Identification no. **1**: with two clamping screws DIN 912 and nuts DIN 985, zinc-plated.
- Identification no. **2**: with two AISI 304 stainless steel-clamping screws DIN 912 and nuts DIN 985.

### •Assembly

The standard clamping bolts are socket cap screws DIN 912, supplied assembled. They can be replaced by clamping kits GN 911 (description see table of dimensions).

### Features and applications

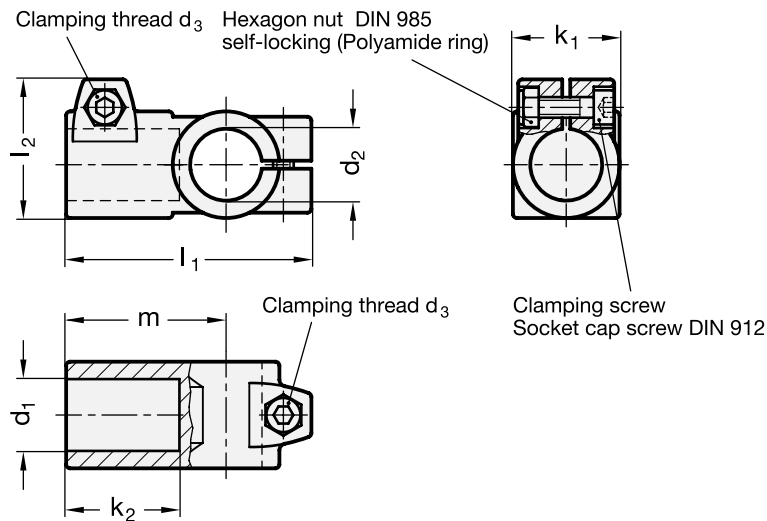
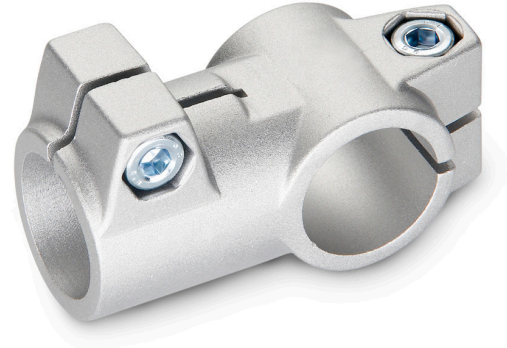
The clamping bores of the T-angle connector clamps GN 192 are mechanically machined and designed for construction tubings GN 990 or DIN 2391, DIN 2395 and DIN 2462 respectively.

### Accessories

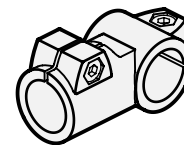
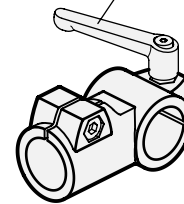
- Construction tubings GN 990 (see page 109ff.).
- Clamping kits GN 911 (clamping handles GN 300.1 with distance bushing) see page 116.

### Special designs on request (For sufficient quantities)

Different combinations of bores  $d_1/d_2$ .



Adjustable clamping lever GN 911



Standard Elements	Main dimensions								Clamping kits for d3	$\Delta$
Description	d1	d2	k1	d3	k2	l1	l2	m		g
GN 192-B20-B20-40-1-*	B20	B20	40	M8	42.5	92	52	60	GN 911-M8-32	267
GN 192-B25-B25-40-1-*	B25	B25	40	M8	42.5	92	52	60	GN 911-M8-32	231
GN 192-B30-B30-40-1-*	B30	B30	40	M8	42.5	92	52	60	GN 911-M8-32	186
GN 192-B30-B30-56-1-*	B30	B30	56	M10	62	129	69	88	GN 911-M10-40	661
GN 192-B32-B32-56-1-*	B32	B32	56	M10	62	129	69	88	GN 911-M10-40	619
GN 192-B35-B35-56-1-*	B35	B35	56	M10	62	129	69	88	GN 911-M10-40	570
GN 192-B40-B40-56-1-*	B40	B40	56	M10	62	129	69	88	GN 911-M10-40	481
GN 192-B40-B40-65-1-*	B40	B40	65	M10	75	148	77.5	103	GN 911-M10-55	922
GN 192-B42-B42-65-1-*	B42	B42	65	M10	75	148	77.5	103	GN 911-M10-55	889
GN 192-B45-B45-65-1-*	B45	B45	65	M10	75	148	77.5	103	GN 911-M10-55	874
GN 192-B48-B48-65-1-*	B48	B48	65	M10	75	148	77.5	103	GN 911-M10-55	732
GN 192-B50-B50-65-1-*	B50	B50	65	M10	75	148	77.5	103	GN 911-M10-55	676
GN 192-B50-B50-80-1-*	B50	B50	80	M10	80	177	92	125	GN 911-M10-55	1660
GN 192-B55-B55-80-1-*	B55	B55	80	M10	80	177	92	125	GN 911-M10-55	1460
GN 192-B60-B60-80-1-*	B60	B60	80	M10	80	177	92	125	GN 911-M10-55	1260
GN 192-B20-B20-40-2-*	B20	B20	40	M8	42.5	92	52	60	GN 911-M8-32	267
GN 192-B25-B25-40-2-*	B25	B25	40	M8	42.5	92	52	60	GN 911-M8-32	231
GN 192-B30-B30-40-2-*	B30	B30	40	M8	42.5	92	52	60	GN 911-M8-32	186
GN 192-B30-B30-56-2-*	B30	B30	56	M10	62	129	69	88	GN 911-M10-40	661
GN 192-B32-B32-56-2-*	B32	B32	56	M10	62	129	69	88	GN 911-M10-40	619
GN 192-B35-B35-56-2-*	B35	B35	56	M10	62	129	69	88	GN 911-M10-40	570
GN 192-B40-B40-56-2-*	B40	B40	56	M10	62	129	69	88	GN 911-M10-40	481
GN 192-B40-B40-65-2-*	B40	B40	65	M10	75	148	11.5	103	GN 911-M10-55	922
GN 192-B42-B42-65-2-*	B42	B42	65	M10	75	148	77.5	103	GN 911-M10-55	889
GN 192-B45-B45-65-2-*	B45	B45	65	M10	75	148	77.5	103	GN 911-M10-55	874
GN 192-B48-B48-65-2-*	B48	B48	65	M10	75	148	77.5	103	GN 911-M10-55	732
GN 192-B50-B50-65-2-*	B50	B50	65	M10	75	148	77.5	103	GN 911-M10-55	676
GN 192-B50-B50-80-2-*	B50	B50	80	M10	80	177	92	125	GN 911-M10-55	1660
GN 192-B55-B55-80-2-*	B55	B55	80	M10	80	177	92	125	GN 911-M10-55	1460
GN 192-B60-B60-80-2-*	B60	B60	80	M10	80	177	92	125	GN 911-M10-55	1260

\* Complete the description of the standard item needed by adding the finish of the connector clamps: BL (blank) or SW (black).