

GN 171

Flanged base plate connector clamps

•Material

Aluminium.

•Finish

- Version **SW**: RAL 9005 black colour, matte finish, epoxy resin coating.
- Version **BL**: blank, matte shot-blasted.

•Clamping screws

- Identification no. **1**: with two clamping screw DIN 912 and nuts DIN 985, zinc plated.
- Identification no. **2**: with two AISI 304 stainless steel-clamping screw DIN 912 and nuts DIN 985.

•Assembly

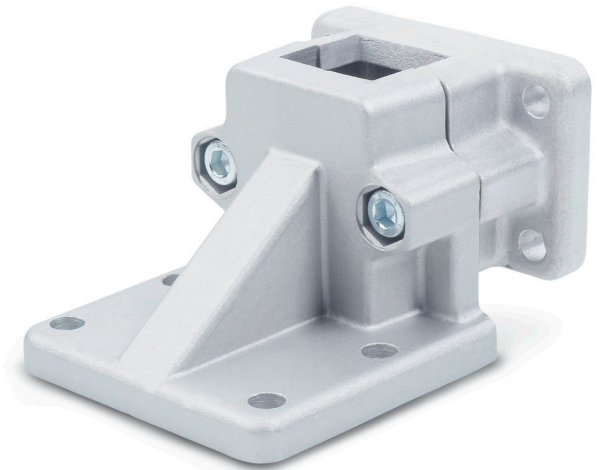
The standard clamping bolts are socket cap screws DIN 912, supplied assembled. They can be replaced by clamping kits GN 911 (description see table of dimensions).

Features and applications

The clamping bores of the flanged base plate connector clamps GN 171 are unmachined and designed for construction tubings GN 990 or DIN 2391, DIN 2395 and DIN 2462 respectively.

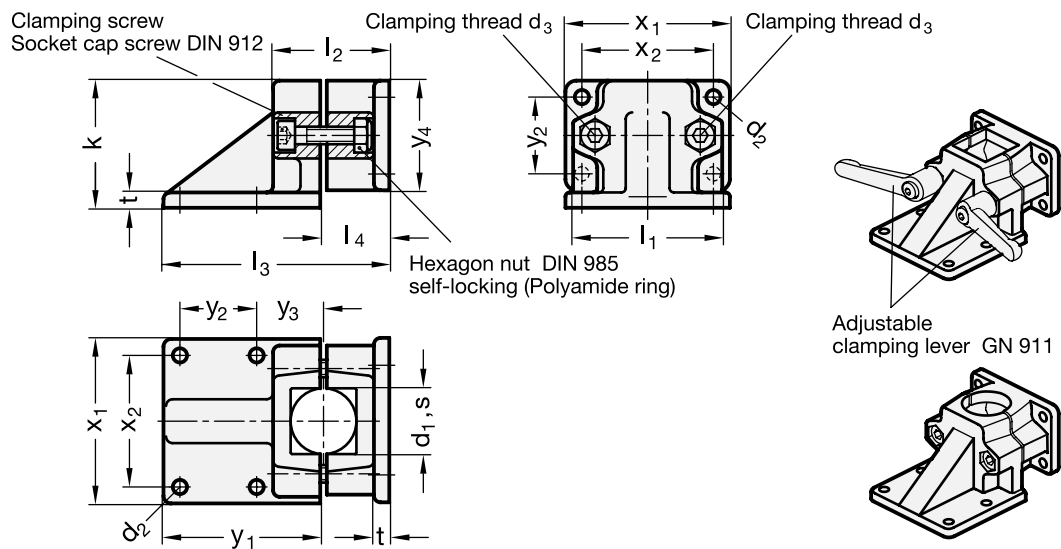
Accessories

- Construction tubings GN 990 (see page 109ff.)
- Clamping kits GN 911 (clamping handles GN 300.1 with distance bushing) see page 116.



40

Tube clamp connectors, Linear actuators



Standard Elements	Main dimensions																Clamping kits for d3	△△
Description	d1	s	d2	d3	k Clamping length	l1	l2	l3	l4	t	x1	x2	y1	y2	y3	y4		g
GN 171-B20-1-*	B20	-	7	M8	58	69	53	103	30	7	75	60	72	35	30	50	GN 911-M8-45	344
GN 171-B25-1-*	B25	-	7	M8	58	69	53	103	30	7	75	60	72	35	30	50	GN 911-M8-45	337
GN 171-B30-1-*	B30	-	7	M8	58	69	53	103	30	7	75	60	72	35	30	50	GN 911-M8-45	330
GN 171-B40-1-*	B40	-	11	M10	91	98	82	156	47	14	115	90	108	50	45	76	GN 911-M10-70	1014
GN 171-B42-1-*	B42	-	11	M10	91	98	82	156	47	14	115	90	108	50	45	76	GN 911-M10-70	995
GN 171-B45-1-*	B45	-	11	M10	91	98	82	156	47	14	115	90	108	50	45	76	GN 911-M10-70	982
GN 171-B48-1-*	B48	-	11	M10	91	98	82	156	47	14	115	90	108	50	45	76	GN 911-M10-70	973
GN 171-B50-1-*	B50	-	11	M10	91	98	82	156	47	14	115	90	108	50	45	76	GN 911-M10-70	959
GN 171-V20-1-*	-	V20	7	M8	58	69	53	103	30	7	75	60	72	35	30	50	GN 911-M8-45	343
GN 171-V25-1-*	-	V25	7	M8	58	69	53	103	30	7	75	60	72	35	30	50	GN 911-M8-45	326
GN 171-V30-1-*	-	V30	7	M8	58	69	53	103	30	7	75	60	72	35	30	50	GN 911-M8-45	316
GN 171-V40-1-*	-	V40	11	M10	91	98	82	156	47	14	115	90	108	50	45	76	GN 911-M10-70	981
GN 171-V45-1-*	-	V45	11	M10	91	98	82	156	47	14	115	90	108	50	45	76	GN 911-M10-70	958
GN 171-V50-1-*	-	V50	11	M10	91	98	82	156	47	14	115	90	108	50	45	76	GN 911-M10-70	918
GN 171-B20-2-*	B20	-	7	M8	58	69	53	103	30	7	75	60	72	35	30	50	GN 911-M8-45	344
GN 171-B25-2-*	B25	-	7	M8	58	69	53	103	30	7	75	60	72	35	30	50	GN 911-M8-45	337
GN 171-B30-2-*	B30	-	7	M8	58	69	53	103	30	7	75	60	72	35	30	50	GN 911-M8-45	330
GN 171-B40-2-*	B40	-	11	M10	91	98	82	156	47	14	115	90	108	50	45	76	GN 911-M10-70	1014
GN 171-B42-2-*	B42	-	11	M10	91	98	82	156	47	14	115	90	108	50	45	76	GN 911-M10-70	995
GN 171-B45-2-*	B45	-	11	M10	91	98	82	156	47	14	115	90	108	50	45	76	GN 911-M10-70	982
GN 171-B48-2-*	B48	-	11	M10	91	98	82	156	47	14	115	90	108	50	45	76	GN 911-M10-70	973
GN 171-B50-2-*	B50	-	11	M10	91	98	82	156	47	14	115	90	108	50	45	76	GN 911-M10-70	959
GN 171-V20-2-*	-	V20	7	M8	58	69	53	103	30	7	75	60	72	35	30	50	GN 911-M8-45	343
GN 171-V25-2-*	-	V25	7	M8	58	69	53	103	30	7	75	60	72	35	30	50	GN 911-M8-45	326
GN 171-V30-2-*	-	V30	7	M8	58	69	53	103	30	7	75	60	72	35	30	50	GN 911-M8-45	316
GN 171-V40-2-*	-	V40	11	M10	91	98	82	156	47	14	115	90	108	50	45	76	GN 911-M10-70	981
GN 171-V45-2-*	-	V45	11	M10	91	98	82	156	47	14	115	90	108	50	45	76	GN 911-M10-70	958
GN 171-V50-2-*	-	V50	11	M10	91	98	82	156	47	14	115	90	108	50	45	76	GN 911-M10-70	918

* Complete the description of the standard item needed by adding the finish of the connector clamps: BL (blank) or SW (black).