

GN 167

Wide base plate connector clamps

•Material

Aluminium.

•Finish

- Version **SW**: RAL 9005 black colour, matte finish, epoxy resin coating.
- Version **BL**: blank, matte shot-blasted.

•Clamping screws

- Identification no. **1**: with two clamping screws DIN 912 and nuts DIN 985, zinc-plated.
- Identification no. **2**: with two AISI 304 stainless steel-clamping screws DIN 912 and nuts DIN 985.

•Assembly

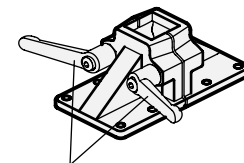
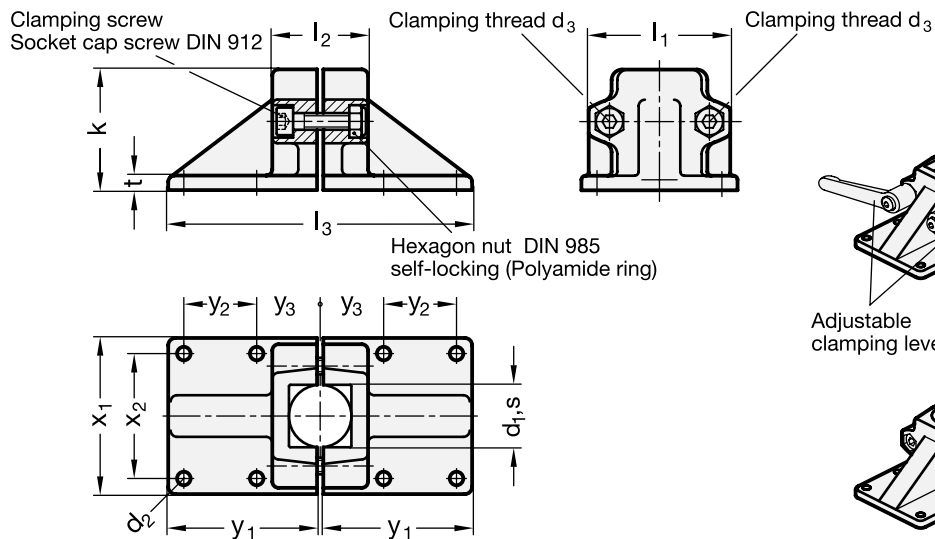
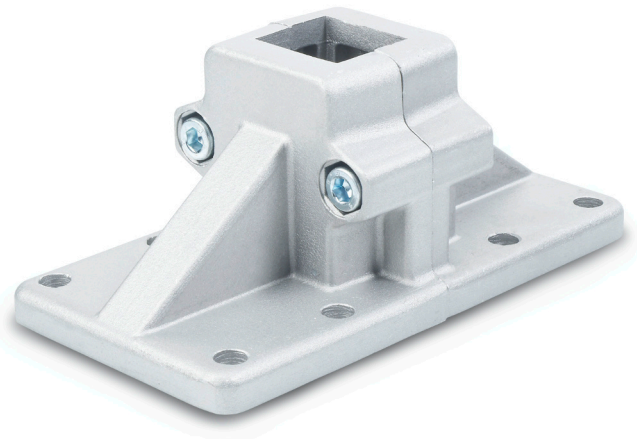
The standard clamping bolts are socket cap screws DIN 912, supplied assembled. They can be replaced by clamping kits GN 911 (description see table of dimensions).

Features and applications

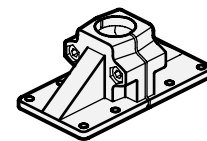
The clamping bores of the wide base plate connector clamps GN 167 are unmachined and designed for construction tubings GN 990 or DIN 2391, DIN 2395 and DIN 2462 respectively.

Accessories

- Construction tubings GN 990 (see page 109ff.).
- Clamping kits GN 911 (clamping handles GN 300.1 with distance bushing) see page 116.



Adjustable clamping lever GN 911



Standard Elements	Main dimensions														Clamping kits for d ₃	△△
Description	d ₁	s	d ₂	d ₃	k Clamping length	l ₁	l ₂	l ₃	t	x ₁	x ₂	y ₁	y ₂	y ₃		g
GN 167-B20-1-*	B20	-	7	M 8	58	69	46	146	7	75	60	72	35	30	GN 911-M8-40	394
GN 167-B25-1-*	B25	-	7	M 8	58	69	46	146	7	75	60	72	35	30	GN 911-M8-40	388
GN 167-B30-1-*	B30	-	7	M 8	58	69	46	146	7	75	60	72	35	30	GN 911-M8-40	384
GN 167-B40-1-*	B40	-	11	M 10	91	98	70	218	14	115	90	108	50	45	GN 911-M10-63	1222
GN 167-B42-1-*	B42	-	11	M 10	91	98	70	218	14	115	90	108	50	45	GN 911-M10-63	1194
GN 167-B45-1-*	B45	-	11	M 10	91	98	70	218	14	115	90	108	50	45	GN 911-M10-63	1182
GN 167-B48-1-*	B48	-	11	M 10	91	98	70	218	14	115	90	108	50	45	GN 911-M10-63	1172
GN 167-B50-1-*	B50	-	11	M 10	91	98	70	218	14	115	90	108	50	45	GN 911-M10-63	1154
GN 167-V20-1-*	-	V20	7	M 8	58	69	46	146	7	75	60	72	35	30	GN 911-M8-40	980
GN 167-V25-1-*	-	V25	7	M 8	58	69	46	146	7	75	60	72	35	30	GN 911-M8-40	374
GN 167-V30-1-*	-	V30	7	M 8	58	69	46	146	7	75	60	72	35	30	GN 911-M8-40	368
GN 167-V40-1-*	-	V40	11	M 10	91	98	70	218	14	115	90	108	50	45	GN 911-M10-63	1176
GN 167-V45-1-*	-	V45	11	M 10	91	98	70	218	14	115	90	108	50	45	GN 911-M10-63	1148
GN 167-V50-1-*	-	V50	11	M 10	91	98	70	218	14	115	90	108	50	45	GN 911-M10-63	1094
GN 167-B20-2-*	B20	-	7	M 8	58	69	46	146	7	75	60	72	35	30	GN 911-M8-40	394
GN 167-B25-2-*	B25	-	7	M 8	58	69	46	146	7	75	60	72	35	30	GN 911-M8-40	388
GN 167-B30-2-*	B30	-	7	M 8	58	69	46	146	7	75	60	72	35	30	GN 911-M8-40	384
GN 167-B40-2-*	B40	-	11	M 10	91	98	70	218	14	115	90	108	50	45	GN 911-M10-63	1222
GN 167-B42-2-*	B42	-	11	M 10	91	98	70	218	14	115	90	108	50	45	GN 911-M10-63	1194
GN 167-B45-2-*	B45	-	11	M 10	91	98	70	218	14	115	90	108	50	45	GN 911-M10-63	1182
GN 167-B48-2-*	B48	-	11	M 10	91	98	70	218	14	115	90	108	50	45	GN 911-M10-63	1172
GN 167-B50-2-*	B50	-	11	M 10	91	98	70	218	14	115	90	108	50	45	GN 911-M10-63	1154
GN 167-V20-2-*	-	V20	7	M 8	58	69	46	146	7	75	60	72	35	30	GN 911-M8-40	398
GN 167-V25-2-*	-	V25	7	M 8	58	69	46	146	7	75	60	72	35	30	GN 911-M8-40	374
GN 167-V30-2-*	-	V30	7	M 8	58	69	46	146	7	75	60	72	35	30	GN 911-M8-40	368
GN 167-V40-2-*	-	V40	11	M 10	91	98	70	218	14	115	90	108	50	45	GN 911-M10-63	1176
GN 167-V45-2-*	-	V45	11	M 10	91	98	70	218	14	115	90	108	50	45	GN 911-M10-63	1148
GN 167-V50-2-*	-	V50	11	M 10	91	98	70	218	14	115	90	108	50	45	GN 911-M10-63	1094

* Complete the description of the standard item needed by adding the finish of the connector clamps: BL (blank) or SW (black).