

GN 165

Base plate connector clamps

•Material

Aluminium.

•Finish

- Version **SW**: RAL 9005 black colour, matte finish, epoxy resin coating.
- Version **BL**: blank, matte shot-blasted.

•Clamping screws

- Identification no. **1**: with two clamping screws DIN 912 and nuts DIN 985, zinc-plated.
- Identification no. **2**: with two AISI 304 stainless steel-clamping screws DIN 912 and nuts DIN 985.

•Assembly

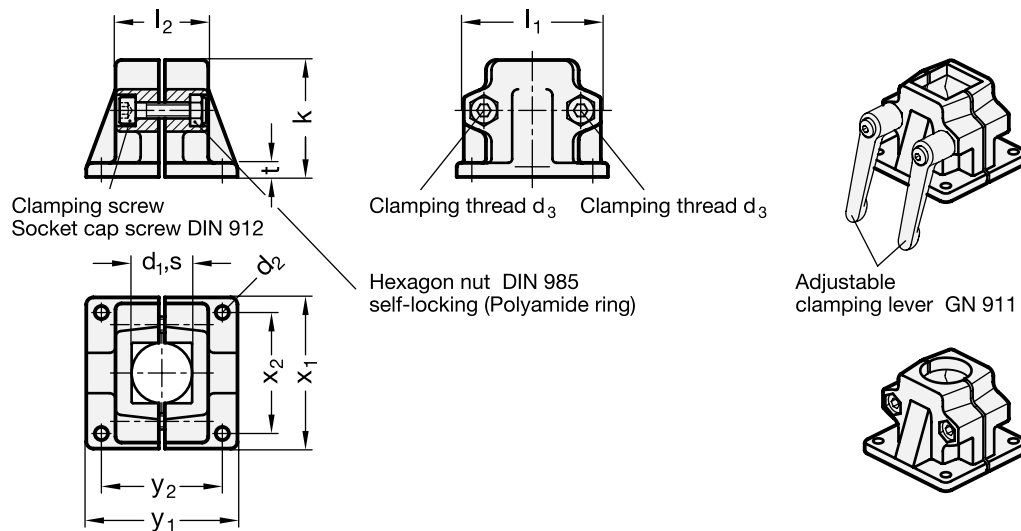
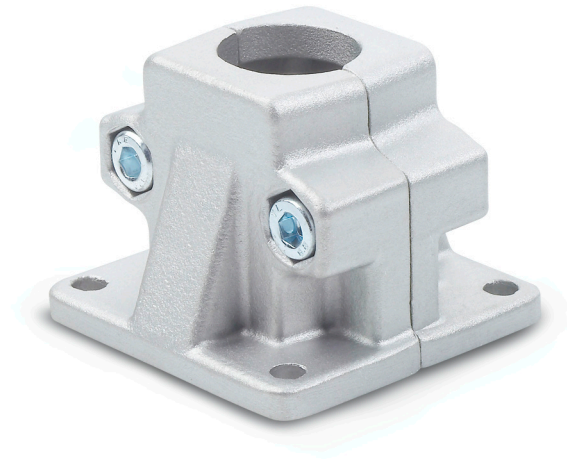
The standard clamping bolts are socket cap screws DIN 912, supplied assembled. They can be replaced by clamping kits GN 911 (description see table of dimensions). The versions with square bores are also suitable for **profile systems**.

Features and applications

The clamping bores of the base plate connector clamps GN 165 are mechanically machined and designed for construction tubings GN 990 or DIN 2391, DIN 2395 and DIN 2462 respectively.

Accessories

- Construction tubings GN 990 (see page 109ff.).
- Clamping kits GN 911 (clamping handles GN 300.1 with distance bushing) see page 116.



Standard Elements	Main dimensions												Clamping kits for d ₃	△△
Description	d ₁	s	d ₂	d ₃	k Clamping length	l ₁	l ₂	t	x ₁	x ₂	y ₁	y ₂		g
GN 165-B20-1-*	B20	-	7	M8	58	69	46	7	75	60	75	60	GN 911-M8-40	304
GN 165-B25-1-*	B25	-	7	M8	58	69	46	7	75	60	75	60	GN 911-M8-40	296
GN 165-B30-1-*	B30	-	7	M8	58	69	46	7	75	60	75	60	GN 911-M8-40	282
GN 165-B40-1-*	B40	-	11	M10	91	98	70	14	115	90	119	90	GN 911-M10-63	946
GN 165-B42-1-*	B42	-	11	M10	91	98	70	14	115	90	119	90	GN 911-M10-63	904
GN 165-B45-1-*	B45	-	11	M10	91	98	70	14	115	90	119	90	GN 911-M10-63	878
GN 165-B48-1-*	B48	-	11	M10	91	98	70	14	115	90	119	90	GN 911-M10-63	844
GN 165-B50-1-*	B50	-	11	M10	91	98	70	14	115	90	119	90	GN 911-M10-63	810
GN 165-V20-1-*	-	V20	7	M8	58	69	46	7	75	60	75	60	GN 911-M8-40	298
GN 165-V25-1-*	-	V25	7	M8	58	69	46	7	75	60	75	60	GN 911-M8-40	286
GN 165-V30-1-*	-	V30	7	M8	58	69	46	7	75	60	75	60	GN 911-M8-40	270
GN 165-V40-1-*	-	V40	11	M10	91	98	70	14	115	90	119	90	GN 911-M10-63	920
GN 165-V45-1-*	-	V45	11	M10	91	98	70	14	115	90	119	90	GN 911-M10-63	886
GN 165-V50-1-*	-	V50	11	M10	91	98	70	14	115	90	119	90	GN 911-M10-63	840
GN 165-B20-2-*	B20	-	7	M8	58	69	46	7	75	60	75	60	GN 911-M8-40	300
GN 165-B25-2-*	B25	-	7	M8	58	69	46	7	75	60	75	60	GN 911-M8-40	296
GN 165-B30-2-*	B30	-	7	M8	58	69	46	7	75	60	75	60	GN 911-M8-40	282
GN 165-B40-2-*	B40	-	11	M10	91	98	70	14	115	90	119	90	GN 911-M10-63	945
GN 165-B42-2-*	B42	-	11	M10	91	98	70	14	115	90	119	90	GN 911-M10-63	905
GN 165-B45-2-*	B45	-	11	M10	91	98	70	14	115	90	119	90	GN 911-M10-63	878
GN 165-B48-2-*	B48	-	11	M10	91	98	70	14	115	90	119	90	GN 911-M10-63	840
GN 165-B50-2-*	B50	-	11	M10	91	98	70	14	115	90	119	90	GN 911-M10-63	810
GN 165-V20-2-*	-	V20	7	M8	58	69	46	7	75	60	75	60	GN 911-M8-40	298
GN 165-V25-2-*	-	V25	7	M8	58	69	46	7	75	60	75	60	GN 911-M8-40	286
GN 165-V30-2-*	-	V30	7	M8	58	69	46	7	75	60	75	60	GN 911-M8-40	270
GN 165-V40-2-*	-	V40	11	M10	91	98	70	14	115	90	119	90	GN 911-M10-63	920
GN 165-V45-2-*	-	V45	11	M10	91	98	70	14	115	90	119	90	GN 911-M10-63	885
GN 165-V50-2-*	-	V50	11	M10	91	98	70	14	115	90	119	90	GN 911-M10-63	840

* Complete the description of the standard item needed by adding the finish of the connector clamps: BL (blank) or SW (black).