

GN 162

Base plate connector clamps

•Material

Aluminium.

•Finish

- Version **SW**: RAL 9005 black colour, matte finish, epoxy resin coating.
- Version **BL**: blank, matte shot-blasted.

•Clamping screw

- Identification no. **1**: with clamping screw DIN 912 and nut DIN 985, zinc-plated.
- Identification no. **2**: with AISI 304 stainless steel-clamping screw DIN 912 and nut DIN 985.

•Assembly

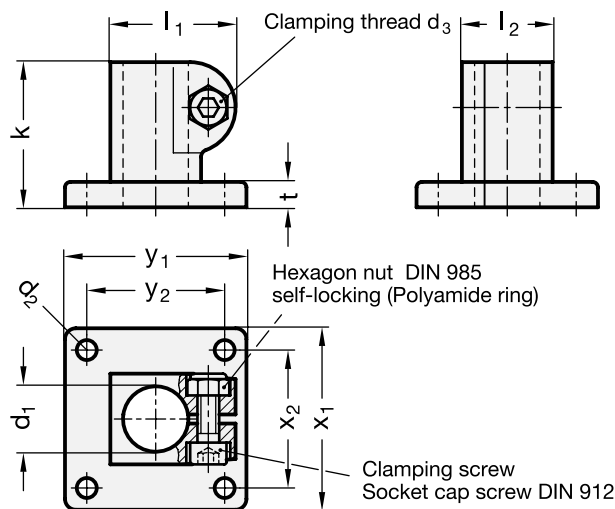
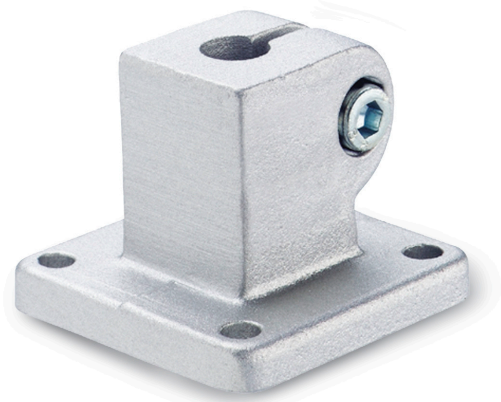
The standard clamping bolts are socket cap screws DIN 912, supplied assembled. They can be replaced by clamping kits GN 911 (description see table of dimensions).

Features and applications

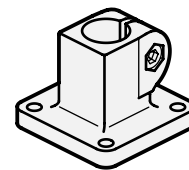
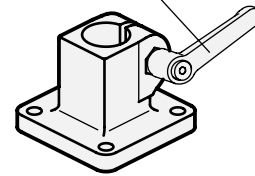
The clamping bores of the base plate connector clamps GN 162 are mechanically machined and designed for construction tubings GN 990 or DIN 2391, DIN 2395 and DIN 2462 respectively.

Accessories

- Construction tubings GN 990 (see page 109ff.).
- Clamping kits GN 911 (clamping handles GN 300.1 with distance bushing) see page 116.



Adjustable clamping lever GN 911



Standard Elements	Main dimensions											Clamping kits for d3	g
	d1	d2	d3	k Clamping length	l1	l2	t	x1	x2	y1	y2		
GN 162-B10-1-*	B10	5.5	M6	40	34.5	25	7	50	38	50	38	GN 911-M6-22	97
GN 162-B12-1-*	B12	5.5	M6	40	34.5	25	7	50	38	50	38	GN 911-M6-22	93
GN 162-B14-1-*	B14	5.5	M6	40	34.5	25	7	50	38	50	38	GN 911-M6-22	89
GN 162-B15-1-*	B15	5.5	M6	40	34.5	25	7	50	38	50	38	GN 911-M6-22	87
GN 162-B16-1-*	B16	5.5	M6	40	34.5	25	7	50	38	50	38	GN 911-M6-22	85
GN 162-B18-1-*	B18	5.5	M6	40	34.5	25	7	50	38	50	38	GN 911-M6-22	80
GN 162-B10-2-*	B10	5.5	M6	40	34.5	25	7	50	38	50	38	GN 911-M6-22	97
GN 162-B12-2-*	B12	5.5	M6	40	34.5	25	7	50	38	50	38	GN 911-M6-22	93
GN 162-B14-2-*	B14	5.5	M6	40	34.5	25	7	50	38	50	38	GN 911-M6-22	89
GN 162-B15-2-*	B15	5.5	M6	40	34.5	25	7	50	38	50	38	GN 911-M6-22	87
GN 162-B16-2-*	B16	5.5	M6	40	34.5	25	7	50	38	50	38	GN 911-M6-22	85
GN 162-B18-2-*	B18	5.5	M6	40	34.5	25	7	50	38	50	38	GN 911-M6-22	80

* Complete the description of the standard item needed by adding the finish of the connector clamps: BL (blank) or SW (black).

Base plate connector clamps



•Material

AISI CF-8 stainless steel **NI**, matte polished.

•Clamping screws

Identification no. **2**: with AISI 304 stainless steel-clamping screw DIN 912 and nut DIN 985.

•Assembly

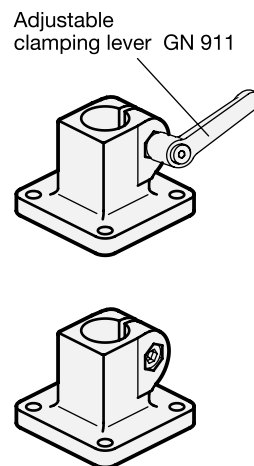
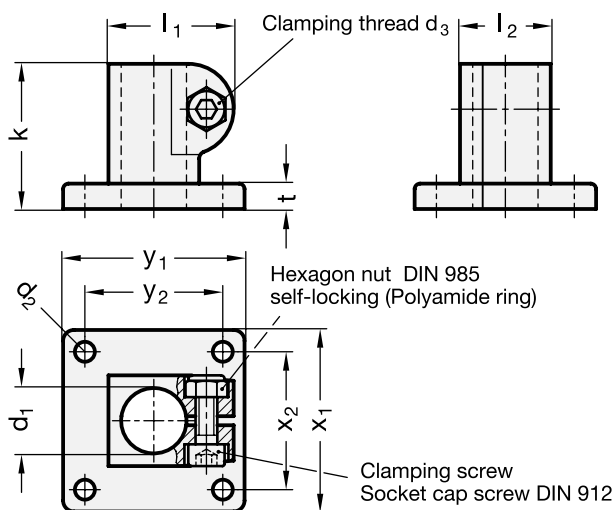
The standard clamping bolts are socket cap screws DIN 912, supplied assembled. They can be replaced by clamping kits GN 911 (description see table of dimensions).

Features and applications

The clamping bores of the base plate connector clamps GN 162-NI mechanically are mechanically machined and designed for construction tubings GN 990 or DIN 2391, DIN 2395 and DIN 2462 respectively.

Accessories

- Construction tubings GN 990 (see page 109ff.).
- Clamping kits GN 911 (clamping handles GN 300.1 with distance bushing) see page 116.



Standard Elements	Main dimensions											Clamping kits for d3	g
	d1	d2	d3	k Clamping length	l1	l2	t	x1	x2	y1	y2		
GN 162-B12-2-NI	B12	5.5	M6	40	34.5	25	7	50	38	50	38	GN 911-M6-22	238
GN 162-B14-2-NI	B14	5.5	M6	40	34.5	25	7	50	38	50	38	GN 911-M6-22	227
GN 162-B16-2-NI	B16	5.5	M6	40	34.5	25	7	50	38	50	38	GN 911-M6-22	213
GN 162-B18-2-NI	B18	5.5	M6	40	34.5	25	7	50	38	50	38	GN 911-M6-22	207