

# GN 147

## Flanged connector clamps

### •Material

Aluminium.

### •Finish

- Version **SW**: RAL 9005 black colour, matte finish, epoxy resin coating.
- Version **BL**: blank, matte shot-blasted.

### •Clamping screws

- Identification no. **1**: with two clamping screws DIN 912 and nuts DIN 985, zinc-plated.
- Identification no. **2**: with two AISI 304 stainless steel-clamping screws DIN 912 and nuts DIN 985.

### •Assembly

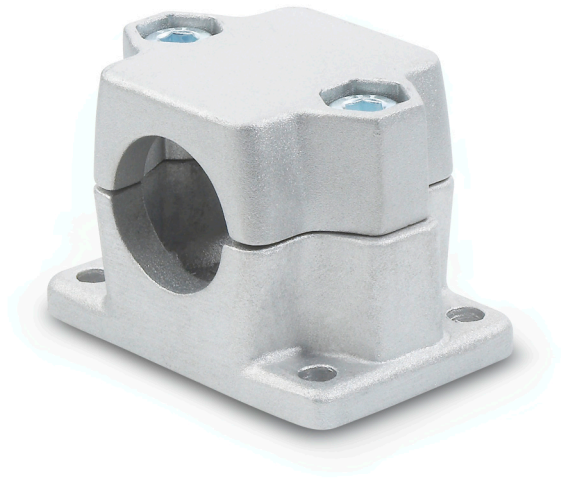
The standard clamping bolts are socket cap screws DIN 912, supplied assembled. They can be replaced by clamping kits GN 911 (description see table of dimensions).

### Features and applications

The clamping bores of the flanged connector clamps GN 147 are not machined and designed for construction tubings GN 990 or DIN 2391, DIN 2395 and DIN 2462 respectively.

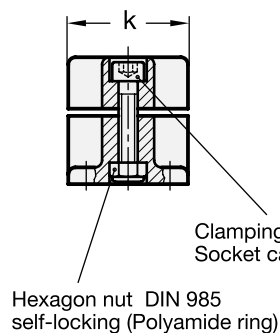
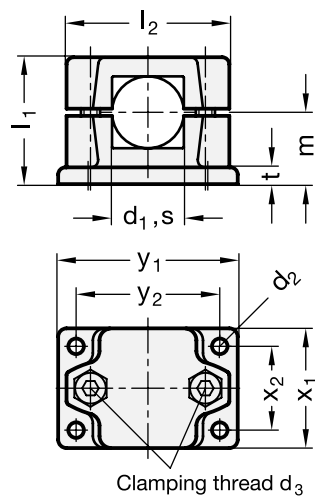
### Accessories

- Construction tubings GN 990 (see page 109ff.).
- Clamping kits GN 911 (clamping handles GN 300.1 with distance bushing) see page 116.

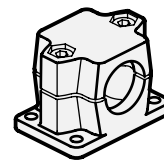
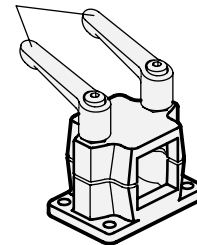


28

Tube clamp connectors, Linear actuators



Adjustable clamping lever GN 911



Standard Elements	Main dimensions													Clamping kits for d <sub>3</sub>	△△
Description	d <sub>1</sub>	s	d <sub>2</sub>	d <sub>3</sub>	k Clamping length	l <sub>1</sub>	l <sub>2</sub>	m	t	x <sub>1</sub>	x <sub>2</sub>	y <sub>1</sub>	y <sub>2</sub>		g
GN 147-B20-1-*	B20	-	6.5	M8	50	53	68	30	7	50	35	75	60	GN 911-M8-45	247
GN 147-B25-1-*	B25	-	6.5	M8	50	53	68	30	7	50	35	75	60	GN 911-M8-45	240
GN 147-B30-1-*	B30	-	6.5	M8	50	53	68	30	7	50	35	75	60	GN 911-M8-45	232
GN 147-B40-1-*	B40	-	11	M10	76	81.5	98	46.5	14	76	50	115	90	GN 911-M10-70	665
GN 147-B42-1-*	B42	-	11	M10	76	81.5	98	46.5	14	76	50	115	90	GN 911-M10-70	680
GN 147-B45-1-*	B45	-	11	M10	76	81.5	98	46.5	14	76	50	115	90	GN 911-M10-70	640
GN 147-B48-1-*	B48	-	11	M10	76	81.5	98	46.5	14	76	50	115	90	GN 911-M10-70	631
GN 147-B50-1-*	B50	-	11	M10	76	81.5	98	46.5	14	76	50	115	90	GN 911-M10-70	620
GN 147-V20-1-*	-	V20	6.5	M8	50	53	68	30	7	50	35	75	60	GN 911-M8-45	242
GN 147-V25-1-*	-	V25	6.5	M8	50	53	68	30	7	50	35	75	60	GN 911-M8-45	233
GN 147-V30-1-*	-	V30	6.5	M8	50	53	68	30	7	50	35	75	60	GN 911-M8-45	221
GN 147-V40-1-*	-	V40	11	M10	76	81.5	98	46.5	14	76	50	115	90	GN 911-M10-70	643
GN 147-V45-1-*	-	V45	11	M10	76	81.5	98	46.5	14	76	50	115	90	GN 911-M10-70	625
GN 147-V50-1-*	-	V50	11	M10	76	81.5	98	46.5	14	76	50	115	90	GN 911-M10-70	595
GN 147-B20-2-*	B20	-	6.5	M8	50	53	68	30	7	50	35	75	60	GN 911-M8-45	245
GN 147-B25-2-*	B25	-	6.5	M8	50	53	68	30	7	50	35	75	60	GN 911-M8-45	240
GN 147-B30-2-*	B30	-	6.5	M8	50	53	68	30	7	50	35	75	60	GN 911-M8-45	188
GN 147-B40-2-*	B40	-	11	M10	76	81.5	98	46.5	14	76	50	115	90	GN 911-M10-70	665
GN 147-B42-2-*	B42	-	11	M10	76	81.5	98	46.5	14	76	50	115	90	GN 911-M10-70	650
GN 147-B45-2-*	B45	-	11	M10	76	81.5	98	46.5	14	76	50	115	90	GN 911-M10-70	640
GN 147-B48-2-*	B48	-	11	M10	76	81.5	98	46.5	14	76	50	115	90	GN 911-M10-70	631
GN 147-B50-2-*	B50	-	11	M10	76	81.5	98	46.5	14	76	50	115	90	GN 911-M10-70	620
GN 147-V20-2-*	-	V20	6.5	M8	50	53	68	30	7	50	35	75	60	GN 911-M10-70	242
GN 147-V25-2-*	-	V25	6.5	M8	50	53	68	30	7	50	35	75	60	GN 911-M8-45	230
GN 147-V30-2-*	-	V30	6.5	M8	50	53	68	30	7	50	35	75	60	GN 911-M8-45	221
GN 147-V40-2-*	-	V40	11	M10	76	81.5	98	46.5	14	76	50	115	90	GN 911-M10-70	643
GN 147-V45-2-*	-	V45	11	M10	76	81.5	98	46.5	14	76	50	115	90	GN 911-M10-70	625
GN 147-V50-2-*	-	V50	11	M10	76	81.5	98	46.5	14	76	50	115	90	GN 911-M10-70	595

\* Complete the description of the standard item needed by adding the finish of the connector clamps: BL (blank) or SW (black).